

- Model 5262 — Single Roll
- Model 5263 — Double Roll **Bradex**<sup>®</sup>
- Dispenser with Shelf

**Product Materials**

**SHELF:** 18 gauge stainless steel with exposed surfaces in architectural satin finish. Front and side edges are 1/2". Radius on all corners.

**TISSUE DISPENSER:** 18 gauge stainless steel with exposed surfaces in architectural satin finish. Spindle(s) of ABS plastic with concealed spring.

**Capacity**

One (two) standard core 6" diameter toilet tissue roll(s).

**Operation**

CSpindle(s) easily removed for servicing.

**Installation**

Verify all rough-in dimensions prior to installation. Secure dispenser with mounting screws (included) at holes provided.

**Optional Features**

Feature	Suffix
<input type="checkbox"/> Anti-theft spindle	-52

**Guide Specification**

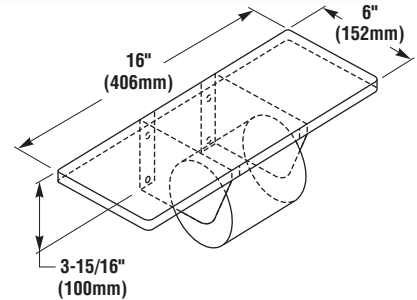
**Model 5262:** Toilet tissue dispenser with shelf shall be fabricated of 18 gauge stainless steel with exposed surfaces in architectural satin finish. Tissue dispenser to hold one standard core toilet tissue roll.

**Model 5263:** SToilet tissue dispenser with shelf shall be fabricated of 18 gauge stainless steel with exposed surfaces in architectural satin finish. Tissue dispenser to hold two standard core toilet tissue rolls.

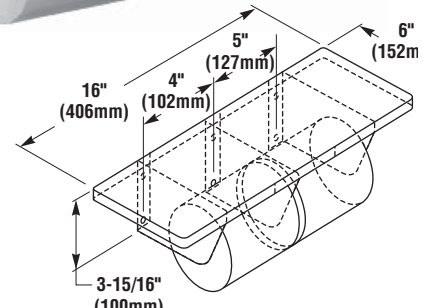
**Overall dimensions: 16"W x 3-15/16"H x 6"D.**



Model 5262



Model 5263



Washroom Accessories  
Document No. 8525

Orders composed of products indicated as **Bradex**<sup>®</sup> will be available to ship in three days after receipt of order at the factory. There is no pricing penalty for this service from Bradley. This information is subject to change without formal notice.

Always consult local and national codes for proper installation guidelines. Conformity and compliance to local and national codes is the responsibility of the installer.

9-30-2008

Distributed by  
[www.Ameraproducts.com](http://www.Ameraproducts.com)  
 Phone: (800) 608-6568  
 Fax: (409) 840-5545  
[info@ameraproducts.com](mailto:info@ameraproducts.com)