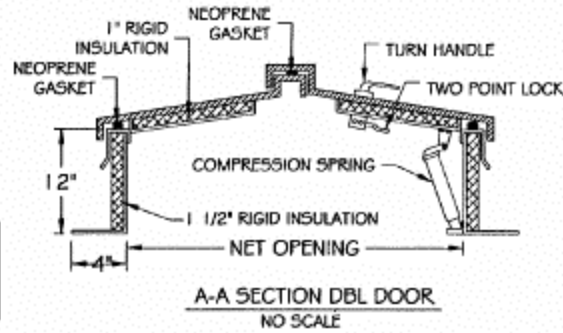
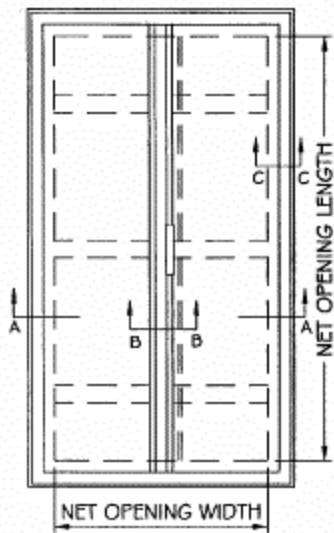


# ROOF HATCH - DOUBLE LEAF



## SPECIFICATIONS

### FINISH:

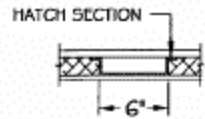
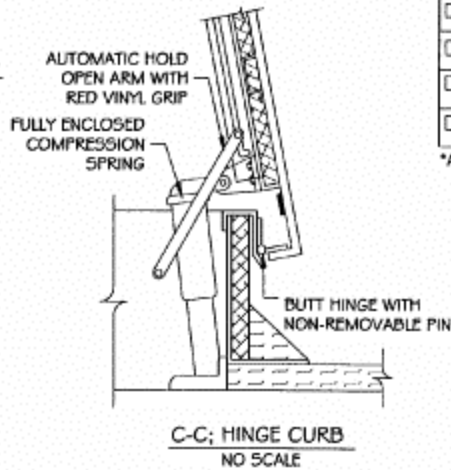
- GALVANIZED STEEL - FACTORY APPLIED FINISH COAT
- ALUMINUM - MILL FINISH
- ALL PARTS SHALL BE NEATLY FORMED AND FABRICATED WITH JOINTS AND SEAMS COMPLETELY WELDED TO INSURE WATER TIGHTNESS
- HATCH IS DESIGNED TO WITHSTAND 40 PSF EXTERNAL LIVE LOAD AND 20 PSF INTERNAL PRESSURE
- INTERIOR & EXTERIOR PADLOCK HASP

### OPTIONS

- 14 GAUGE GALVANIZED CURB LINER
- 11 GAUGE ALUMINUM CURB LINER

HARDWARE MATERIAL OPTION	SPRING	SPRING TUBES	LOCK/LATCH	HINGE	H.O.A.
<input type="checkbox"/> STANDARD	*STEEL	PAINTED STEEL	PAINTED STEEL	PAINTED STEEL	PAINTED STEEL
<input type="checkbox"/> SST 304	*ZINC PLATED	SST 304	SST 304	SST 304	SST 304
<input type="checkbox"/> ZINC PLATED STEEL (STANDARD ON RHA)	*ZINC PLATED	ZINC PLATED	ZINC PLATED	ALUMINUM	ZINC PLATED
<input type="checkbox"/> SST 316	*ZINC PLATED	SST 316	SST 304	SST 304	SST 316

\*ALL SPRINGS ARE GREASED



Distributed by:  
AmeraProducts, Inc.

Tele: 1-800-608-6568 [www.Roofhatches.net](http://www.Roofhatches.net)  
Fax: (409) 842-5852  
Email: [Info@ameraproducts.com](mailto:Info@ameraproducts.com)

Manufactured by Cierra Products

# ROOF HATCH-SINGLE LEAF

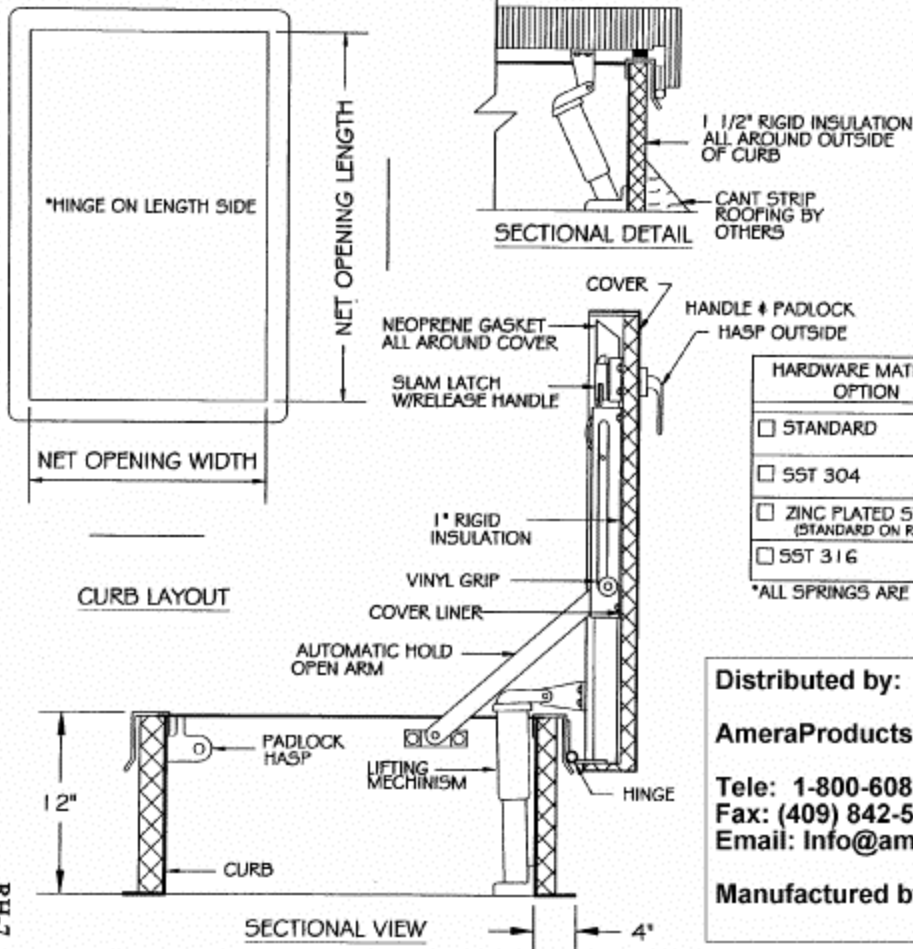
## SPECIFICATIONS

### FINISH:

- GALVANIZED STEEL - FACTORY APPLIED FINISH COAT
- ALUMINUM - MILL FINISH
- ALL PARTS SHALL BE NEATLY FORMED AND FABRICATED WITH JOINTS AND SEAMS COMPLETELY WELDED TO INSURE WATER TIGHTNESS
- HATCH IS DESIGNED TO WITHSTAND 40 PSF EXTERNAL LIVE LOAD AND 20 PSF INTERNAL PRESSURE
- INTERIOR & EXTERIOR PADLOCK HASP

### OPTIONS

- 14 GAUGE GALVANIZED CURB LINER
- 11 GAUGE ALUMINUM CURB LINER



HARDWARE MATERIAL OPTION	SPRING	SPRING TUBES	LOCK/LATCH	HINGE	H.O.A.
<input type="checkbox"/> STANDARD	*STEEL	PAINTED STEEL	PAINTED STEEL	PAINTED STEEL	PAINTED STEEL
<input type="checkbox"/> SST 304	*ZINC PLATED	SST 304	SST 304	SST 304	SST 304
<input type="checkbox"/> ZINC PLATED STEEL (STANDARD ON RMA)	*ZINC PLATED	ZINC PLATED	ZINC PLATED	ALUMINUM	ZINC PLATED
<input type="checkbox"/> SST 316	*ZINC PLATED	SST 316	SST 304	SST 304	SST 316

\*ALL SPRINGS ARE GREASED

Distributed by:

AmeraProducts, Inc.

[www.Roofhatches.net](http://www.Roofhatches.net)

Tele: 1-800-608-6568

Fax: (409) 842-5852

Email: [Info@ameraproducts.com](mailto:Info@ameraproducts.com)

Manufactured by Cierra Products