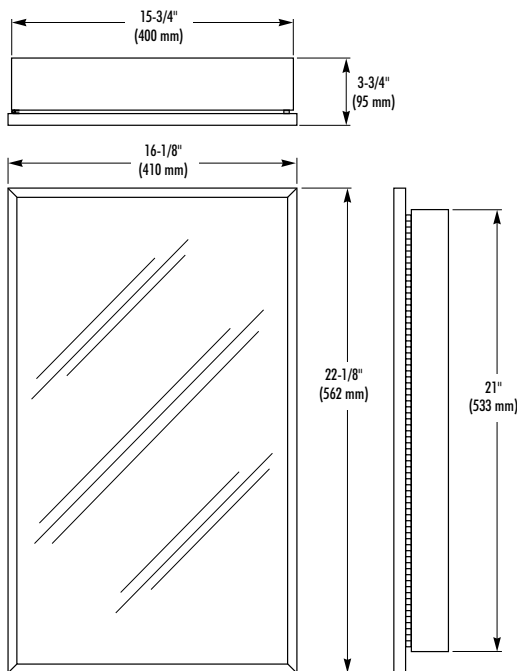


# MEDICINE CABINET

- Surface Mounted
- Three Adjustable Shelves
- Reversible

**Bradex™**



## CONSTRUCTION:

- **CABINET** is fabricated of heavy gauge steel construction, finished with rust-resistant, baked-on enamel after welding. Fixed shelf brackets.
- **DOOR** is fabricated of heavy gauge steel and finished with rust-resistant, baked-on enamel to match cabinet, equipped with full length piano hinge with built-in door stop, protective door bumpers, and a magnetic catch.
- **MIRROR** is float glass, electrolytically copper-backed, with full surround stainless steel frame with positive screw closure.
- **SHELVES** (3) are metal.

## OPERATION:

Cabinet is reversible for left or right hand door swing.

## INSTALLATION:

Cabinet to be surface mounted with top of door 6'-3" from finished floor. Secured to wall with mounting screws through holes provided.

## GUIDE SPECIFICATION:

Surface mounted medicine cabinet shall be fabricated of heavy gauge steel construction finished with baked-on enamel. Swing door shall have mirror with full surround stainless steel channel frame with screw enclosure. Cabinet shall be equipped with three adjustable shelves, full piano hinge, and magnetic catch. Cabinet shall be reversible for left or right hand door swing.

**Surface Mounted Medicine Cabinet shall be Bradley Model 9664.**