

MEDICINE CABINET

- Recess Mounted
- Three Adjustable Shelves
- Reversible

Bradex™



CONSTRUCTION:

- **CABINET** fabricated of heavy gauge steel, one-piece drawn construction finished with rust-resistant, baked-on enamel after forming. Sides formed to support adjustable shelf brackets.
- **DOOR** is fabricated of heavy gauge steel and finished with rust-resistant, baked-on enamel to match cabinet, equipped with full length piano hinge with built-in stop, protective door bumpers, and a magnetic catch.
- **MIRROR** is No. 1 quality, distortion-free float glass, electrolytically copper-backed with full surround stainless steel frame with tab closure.
- **SHELVES** (3) are steel.

OPERATION:

Cabinet is reversible for left or right hand door swing. Shelves are removable and adjustable.

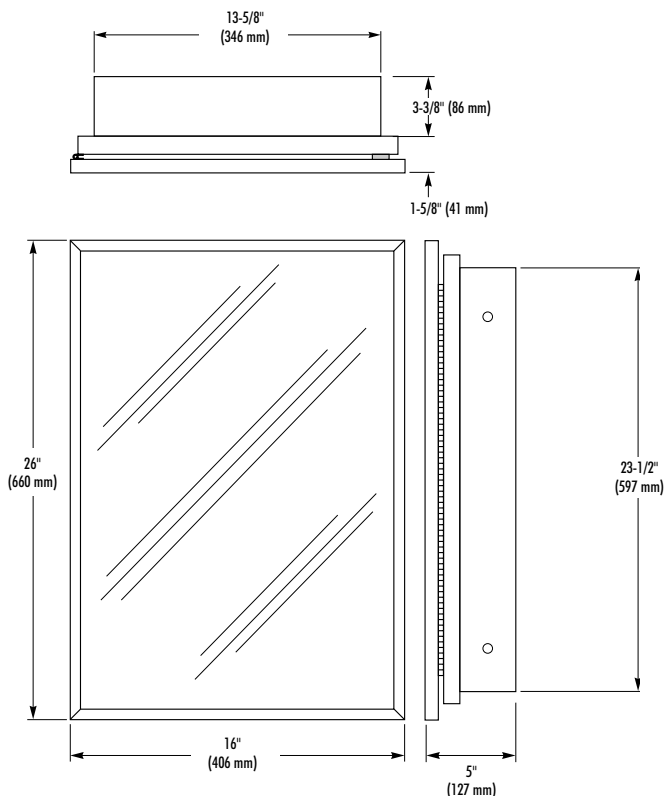
INSTALLATION:

Cabinet requires rough wall opening of 14"W x 24"H x 3"D, with top of wall opening 6'-4" from finished floor. Secured to framing with mounting screws (included) through holes provided.

GUIDE SPECIFICATION:

Recessed medicine cabinet shall be of one-piece, heavy gauge drawn steel construction finished with baked-on enamel after forming. Swing door shall have float glass mirror with full surround stainless steel channel frame with tab enclosure. Cabinet shall be equipped with three adjustable shelves, full length piano hinge, and magnetic catch. Cabinet shall be reversible for left or right hand door swing.

Recess Mounted Medicine Cabinet shall be Bradley Model 9663.



Document No. 9055

This information is subject to change without formal notice.
MD 3239-1198