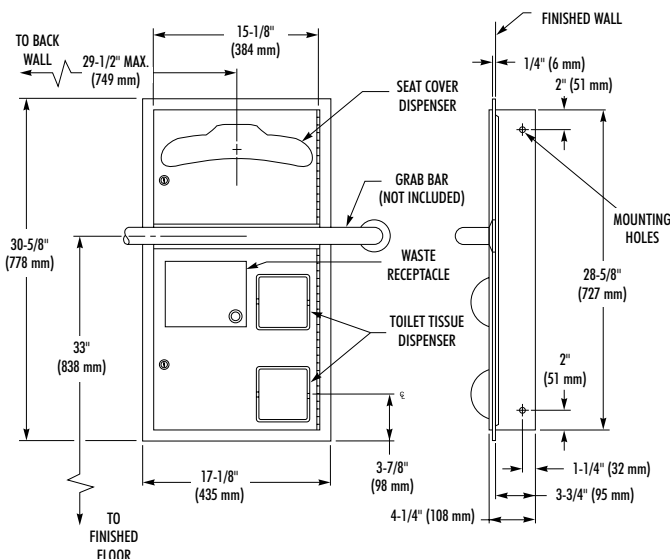


# COMBINATION UNIT

- Recess Mounted – Seat Cover/Tissue Dispenser with Napkin Disposal
- Model 5912 – Recessed **Bradex™** (shown)
- Model 5912-11 – Surface Mounted **Bradex™** (projects 4-1/4") (single door: does not allow clearance for grab bar)



## CONSTRUCTION:

- **FLANGE** fabricated of type 304 (18-8), 22 gauge stainless steel with exposed surfaces in architectural satin finish. Flange of one piece seamless construction, 1" wide with 1/4" return.
- **CABINET** fabricated of type 304 (18-8), 22 gauge stainless steel with exposed surfaces in architectural satin finish. Welded construction with burr-free edges.
- **DOOR** fabricated of type 304 (18-8), 18 gauge stainless steel with full length piano hinge and tumbler lock keyed like other Bradley units.
- **PUSH FLAP DOOR** fabricated of type 304 (18-8), 22 gauge stainless steel with exposed surfaces in architectural satin finish. Self-closing, with heavy duty stainless steel piano hinge.
- **WASTE CONTAINER** fabricated of type 304 (18-8), 22 gauge stainless steel. .87 gal. capacity.
- **SPINDLES** of polyethylene, non-removable by user.

## CAPACITY:

Toilet Seat Cover Dispensers - 1,000 standard single-fold or half-fold toilet seat covers;  
Toilet Tissue Dispensers - two standard core toilet tissue rolls through 5" in diameter.

## OPERATION:

Hinged access door permits servicing of components from one side.

## INSTALLATION:

Requires rough wall opening 15-1/2"W x 28-7/8"H x 4"D. Top of wall opening 3'-9" above finished floor (meets Barrier-Free requirements). Secure with mounting screws (included) at holes provided. Recessed unit allows clearance for grab bar (not included) across front of unit. Surface mounted unit utilizes one piece door; does not allow clearance for grab bar.

## GUIDE SPECIFICATION:

Recessed combination unit shall include toilet seat cover dispenser, toilet tissue dispenser, and napkin disposal, and be fabricated of type 304 (18-8), heavy gauge stainless steel with seamless exposed surfaces in satin finish. Door and back panel shall be 18 gauge. Door shall have piano hinge and tumbler lock.

Overall dimensions: 17-1/8"W x 30-5/8"H x 4-1/4"D.

**Recessed Combination Unit shall be Bradley Model 5912.**