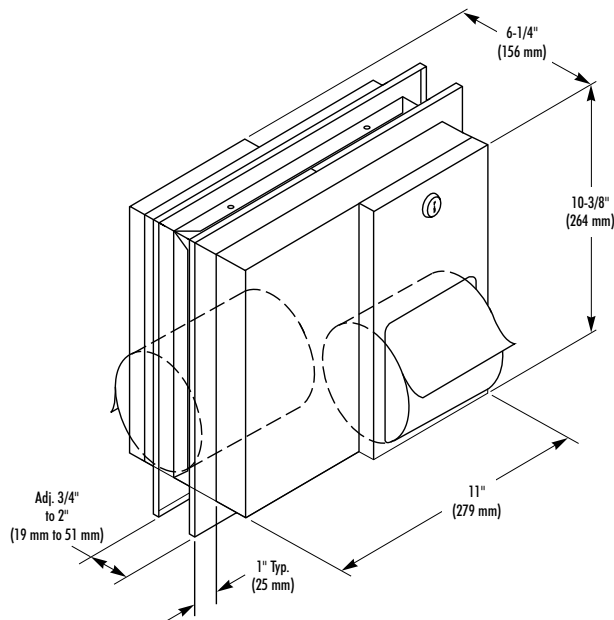


TOILET TISSUE DISPENSER

- Partition Mounted
- Serves Two Compartments
- Dual Roll


Bradex™



Document No. 8555

This information is subject to change without formal notice.
MD 3239-1198

MODEL 5422

 When installed as specified below, unit meets Barrier-Free requirements

CONSTRUCTION:

- **FLANGE** fabricated of type 304 (18-8), 22 gauge stainless steel with exposed surfaces in architectural satin finish. Flange of one piece construction, 1" wide with 1/4" return.
- **CABINET** fabricated of type 304 (18-8), 22 gauge stainless steel with exposed surfaces in architectural satin finish. Welded construction with burr-free edges.
- **SERVICE DOOR** fabricated of type 304 (18-8), 22 gauge stainless steel with exposed surfaces in architectural satin finish and tumbler lock keyed like other Bradley units. Hinged at bottom.
- **SPINDLES** of molded polyethylene.

CAPACITY:

Two dispensers; one per compartment. Each holds two standard core toilet tissue rolls through 5" in diameter.

OPERATION:

Each cabinet holds two rolls of 4-1/2" x 5" standard core toilet tissue, one above the other. When first roll is used-up, fresh roll automatically drops down for use. Unique retaining mechanism prevents use of spare roll until first roll is completely used. Spindles non-removable by user. Hinged door permits access to storage compartment for servicing of unit. Serves two toilet compartments, dispensing one roll to each side of partition, while holding a second roll in reserve.

INSTALLATION:

Requires partition opening 10-5/8"H x 11-3/8"W. Top of partition opening 3'-0" above finished floor. (Location of hole and dimensions should be noted in partition specifications.) Flanges adjustable for partitions from 3/4" to 2" thick. Remove one flange and install cabinet in partition opening. Replace flange and draw tight to partition. Equalize cabinet projection through both sides of partition. Tighten eight concealed mounting screws (included).

NOTE: If used with an odd number of toilet compartments, use one Bradley Model 5412 recessed or Bradley Model 5402 surface mounted Dual Roll Toilet Tissue Dispenser in side wall of end compartment.

GUIDE SPECIFICATION:

Partition mounted dual roll toilet tissue dispenser shall be heavy gauge satin finish stainless steel and hold four standard core toilet tissue rolls-two in reserve for use after first rolls are exhausted.

Overall dimensions: 13" x 12-3/8" x 5-23/32".

Partition Mounted Dual Roll Toilet Tissue Dispenser shall be Bradley Model 5422.

Bradley
CORPORATION



WASHROOM
ACCESSORIES
DIVISION