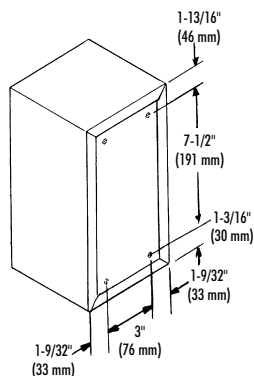
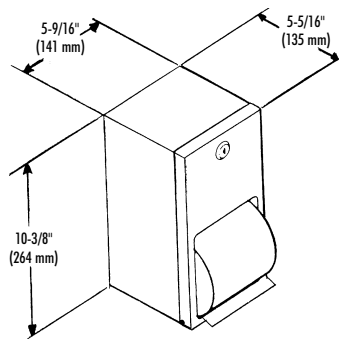


# TOILET TISSUE DISPENSER

- Surface Mounted
- Dual Roll

**Bradex™**



## CONSTRUCTION:

- **CABINET** fabricated of type 304 (18-8), 22 gauge stainless steel with exposed surfaces in architectural satin finish. Welded construction with burr-free edges.
- **SERVICE DOOR** fabricated of type 304 (18-8), 22 gauge stainless steel with exposed surfaces in architectural satin finish and tumbler lock keyed like other Bradley units. Hinged at bottom.
- **SPINDLES** of molded polyethylene.

## CAPACITY:

Two standard core toilet tissue rolls through 5" in diameter.

## OPERATION:

Cabinet holds two rolls of 4-1/2" x 5" standard core toilet tissue, one above the other. When first roll is used-up, fresh roll automatically drops down for use. Unique retaining mechanism prevents use of spare roll until first roll is completely used. Spindles non-removable by user. Hinged door permits access to storage compartment for servicing of unit.

## INSTALLATION:

Secure to wall with mounting screws (included) at holes provided.

## GUIDE SPECIFICATION:

Surface mounted dual roll toilet tissue dispenser shall be heavy gauge satin finish stainless steel and hold two standard core toilet tissue rolls.

Overall dimensions: 5-9/16"W x 10-3/8"H x 5-5/16"D.

**Surface Mounted Dual Roll Toilet Tissue Dispenser shall be Bradley Model 5402.**