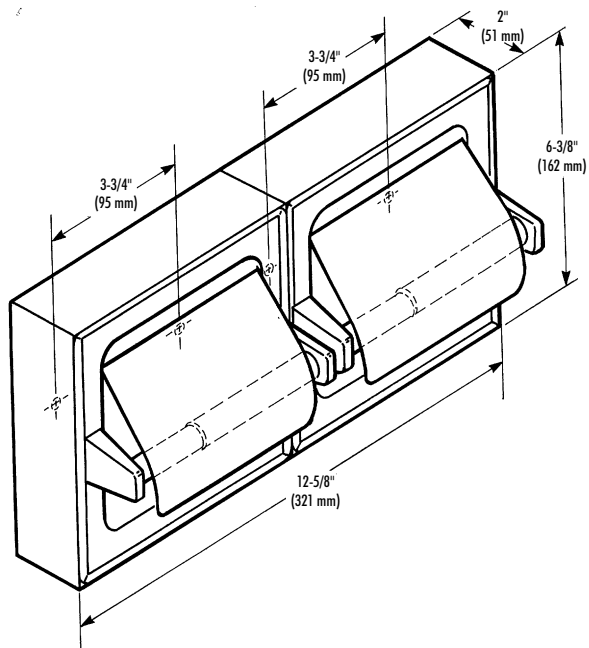


# TOILET TISSUE DISPENSER

- Surface Mounted
- Hinged Hood
- Non-Controlled Delivery
- Dual Roll (For Single Roll See Model 5106)

**Bradex™**



### CONSTRUCTION:

- **HOUSING AND HOODS** fabricated of type 304 (18-8) bright polished stainless steel.
- **SPINDLES** fabricated of chrome-plated plastic.

### CAPACITY:

Two standard core toilet tissue rolls through 5-1/2" in diameter.

### OPERATION:

Concealed spring permits spindle to telescope for servicing. Spindles turn freely for non-controlled delivery. Hinged hood prevents unintentional unraveling while keeping top tissue surface clean.

### INSTALLATION:

Secure to wall with mounting screws (included) at holes provided.

### OPTIONAL FEATURES:

Feature	Suffix
<input type="checkbox"/> Anti-theft spindle	-52

### GUIDE SPECIFICATION:

Surface mounted roll toilet tissue dispenser with hinged hood shall be type 304 bright polished stainless steel and hold two standard core toilet tissue rolls.

Overall dimensions: 12-5/8"W x 6-3/8"H x 2"D.

Surface Mounted Dual Roll Toilet Tissue Dispenser shall be Bradley Model 5126.