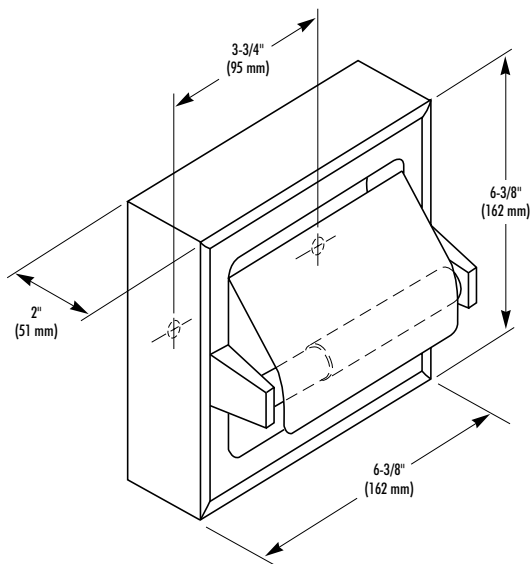


TOILET TISSUE DISPENSER

- Surface Mounted
- Hinged Hood
- Non-Controlled Delivery
- Single Roll (For Dual Roll See Model 5126)

Bradex™



CONSTRUCTION:

- **HOUSING AND HOOD** fabricated of type 304 (18-8) bright polished stainless steel.
- **SPINDLE** fabricated of chrome-plated plastic.

CAPACITY:

One standard core toilet tissue roll through 5-1/2" in diameter.

OPERATION:

Concealed spring permits spindle to telescope for servicing. Spindle turns freely for non-controlled delivery. Hinged hood prevents unintentional unraveling while keeping top tissue surface clean.

INSTALLATION:

Secure to wall with mounting screws (included) at holes provided.

OPTIONAL FEATURES:

Feature	Suffix
<input type="checkbox"/> Anti-theft spindle	-52

GUIDE SPECIFICATION:

Surface mounted roll toilet tissue dispenser with hinged hood shall be type 304 bright polished stainless steel and hold one standard core toilet tissue roll.

Overall dimensions: 6-3/8"W x 6-3/8"H

Surface Mounted Single Roll Toilet Tissue Dispenser shall be Bradley Model 5106.