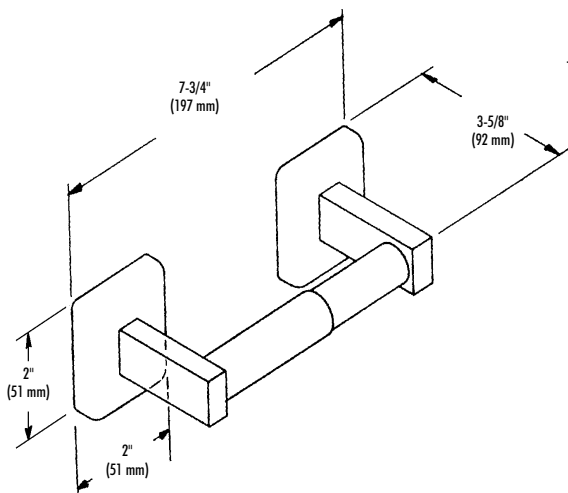
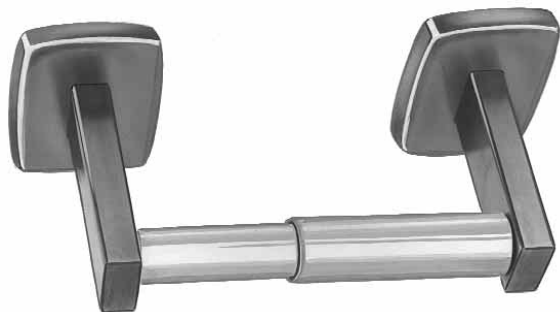


**MODEL 5084  
5085**

**TOILET TISSUE DISPENSER**

- Non-Controlled Delivery
- Model 5084 – Satin Stainless Steel **Bradex™**
- Model 5085 – Bright Polish **Bradex™**



**CONSTRUCTION:**

- **POSTS** fabricated of type 304 (18-8), 22 gauge stainless steel with exposed surfaces in architectural satin finish.
- **ESCUTCHEONS** fabricated of type 304 (18-8), heavy gauge stainless steel with exposed surfaces in architectural satin finish.
- **SPINDLE** is chrome-plated plastic.
- **MOUNTING BRACKET** fabricated of type 304 (18-8), 18 gauge stainless steel.

**CAPACITY:**

One standard core toilet tissue roll through 5" in diameter.

**OPERATION:**

Concealed spring permits spindle to telescope for servicing. Spindle turns freely for non-controlled delivery.

**INSTALLATION:**

Secure concealed wall mounting brackets to wall with screws (included) at holes provided. Mount projecting arms and escutcheons to bracket and secure with concealed locking screw. Snap escutcheons into place.

**OPTIONAL FEATURES:**

Feature	Suffix
<input type="checkbox"/> Anti-theft spindle	-52

**GUIDE SPECIFICATION:**

Surface mounted single roll toilet tissue dispenser shall be heavy gauge stainless steel satin finish (bright polish finish) and hold one standard core toilet tissue roll.

Overall dimensions: 7-3/4" W x 2" H x 3-5/8" D.

**Surface Mounted Single Roll Toilet Tissue Dispenser shall be Bradley Model 5084 (5085).**