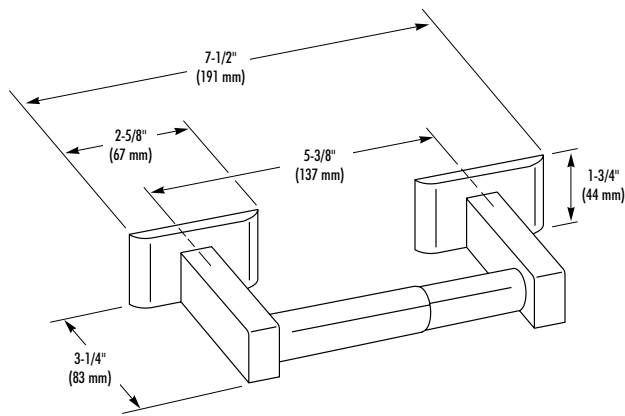
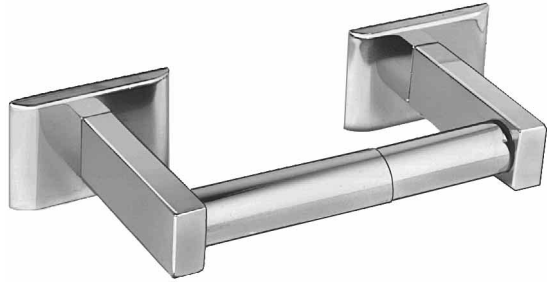


# TOILET TISSUE DISPENSER

- Non-Controlled Delivery
- Single Roll

**Bradex™**



## CONSTRUCTION:

- **UNIT** fabricated of chrome plated cast brass.
- **SPINDLE** fabricated of chrome plated plastic.

## CAPACITY:

One standard core toilet tissue roll through 5-1/2" in diameter.

## OPERATION:

Concealed spring permits spindle to telescope for servicing. Spindle turns freely for non-controlled delivery.

## INSTALLATION:

Secure concealed wall mounting brackets to wall with screws (included) at holes provided. Slide escutcheons and posts over projecting pins on mounting brackets and secure with concealed set screw.

## OPTIONAL FEATURES:

Feature	Suffix
<input type="checkbox"/> Anti-theft spindle	-52

## GUIDE SPECIFICATION:

Surface mounted single roll toilet tissue dispenser shall be chrome plated cast brass and hold one standard core toilet tissue roll.

Overall dimensions: 7-1/2"W x 2-5/8"H x 3-1/4"D.

**Surface Mounted Single Roll Toilet Tissue Dispenser shall be Bradley Model 508.**