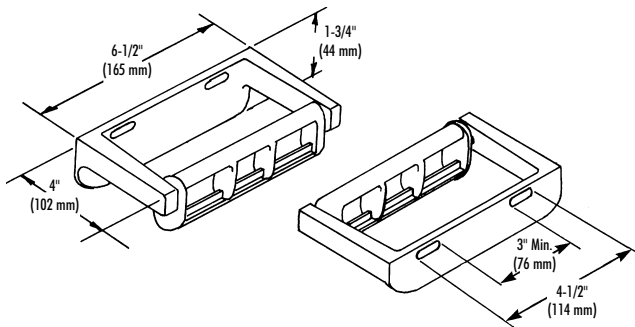


# TOILET TISSUE DISPENSER

- Controlled Delivery—Rocking Action
- Single Roll (For Dual Roll See Model 5241)

**Bradex™**



## CONSTRUCTION:

- **BRACKET** fabricated of die cast aluminum.
- **SPINDLE** fabricated of gray polystyrene. Stainless steel spring.

## CAPACITY:

One standard core toilet tissue roll through 5-1/2" in diameter.

## OPERATION:

Remove tissue roll core to access special locking mechanism for servicing. Stops on spindle control paper delivery. Spindle revolves only 1/2 turn for each dispensing operation and returns to original position.

## INSTALLATION:

Secure to wall with mounting screws (included) at holes provided.

## OPTIONAL FEATURES:

Feature	Suffix
<input type="checkbox"/> Non-controlled delivery	-50

## GUIDE SPECIFICATION:

Surface mounted toilet tissue dispenser shall be die cast aluminum with satin finish and hold one standard core toilet tissue roll. Stops control paper delivery.

Overall dimensions: 6-1/2"W x 1-3/4"H x 4"D.

Surface Mounted Toilet Tissue Dispenser shall be Bradley Model 5071.