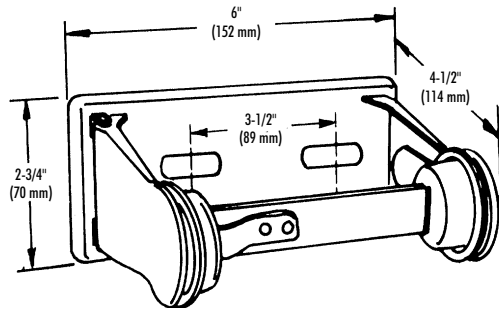


TOILET TISSUE DISPENSER

- Controlled Delivery
- Single Roll (For Dual Roll See Model 5224)

Bradex™



CONSTRUCTION:

- UNIT fabricated of heavy gauge satin chrome plated steel.

CAPACITY:

One standard core toilet tissue roll through 6" in diameter.

OPERATION:

Remove tissue roll core to access special locking mechanism for servicing. Tension spring controls paper delivery.

INSTALLATION:

Secure to wall with mounting screws (included) at holes provided.

GUIDE SPECIFICATION:

Surface mounted toilet tissue dispenser shall be heavy gauge chrome plated steel and hold one standard core toilet tissue roll.

Tension spring controls paper delivery.

Overall dimensions: 6"W x 2-3/4"H x 4-1/2"D.

Surface Mounted Toilet Tissue Dispenser shall be Bradley Model 5054.