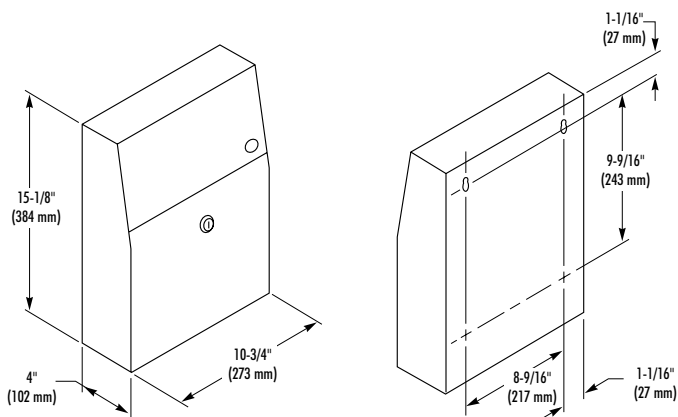


NAPKIN DISPOSAL

- Model 4722-15 – Surface Mounted
- Single End Compartment

Bradex™



CONSTRUCTION:

- **CABINET** fabricated of type 304 (18-8), 22 gauge stainless steel with exposed surfaces in architectural satin finish. All welded construction.
- **PUSH FLAP DOOR** fabricated of type 304 (18-8), 22 gauge stainless steel with exposed surfaces in architectural satin finish. Heavy duty stainless steel piano hinge. Self-closing flap door.
- **WASTE CONTAINER** fabricated of type 304 (18-8), 22 gauge stainless steel with tumbler lock keyed like other Bradley units.

CAPACITY:

1.5 gal. (.2 cu. ft.)

OPERATION:

Waste container removable with finger grip. Furnished with waxed paper liner. Additional liners available from Bradley.

INSTALLATION:

Locate top of unit 2'-9" above finished floor. Secure unit to wall with mounting screws (included) at holes provided.

GUIDE SPECIFICATION:

Surface mounted napkin disposal shall serve one toilet compartment and be fabricated of type 304 (18-8), 22 gauge stainless steel with exposed surfaces in satin finish. Self-closing push flap door and stainless steel removable receptacle with tumbler lock.

Overall dimensions: 10-3/4"W x 15-1/8"H x 4"D.

Surface Mounted Napkin Disposal shall be Bradley Model 4722-15.