

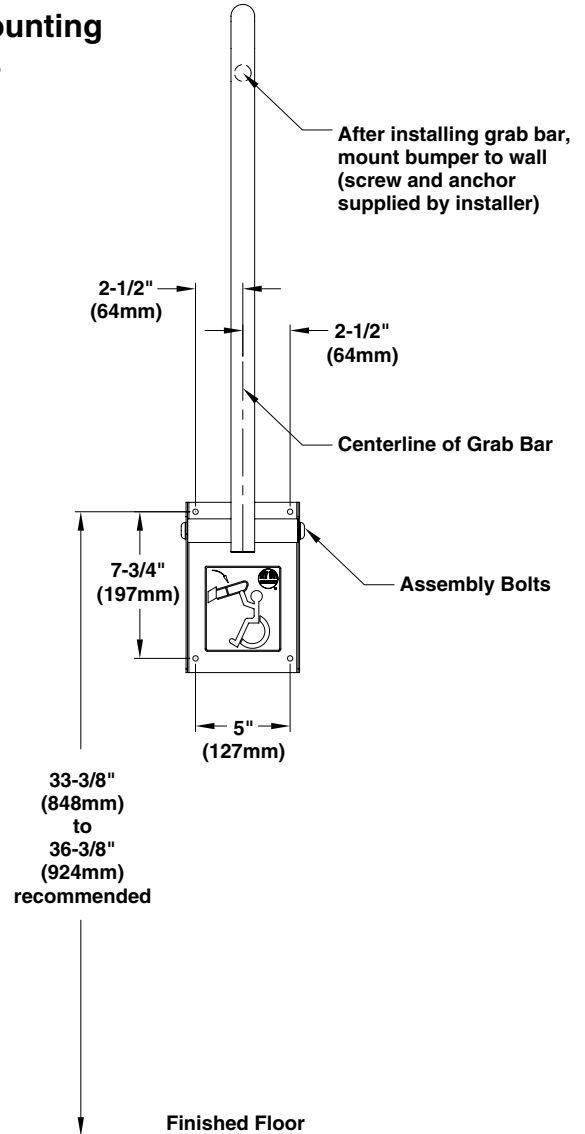
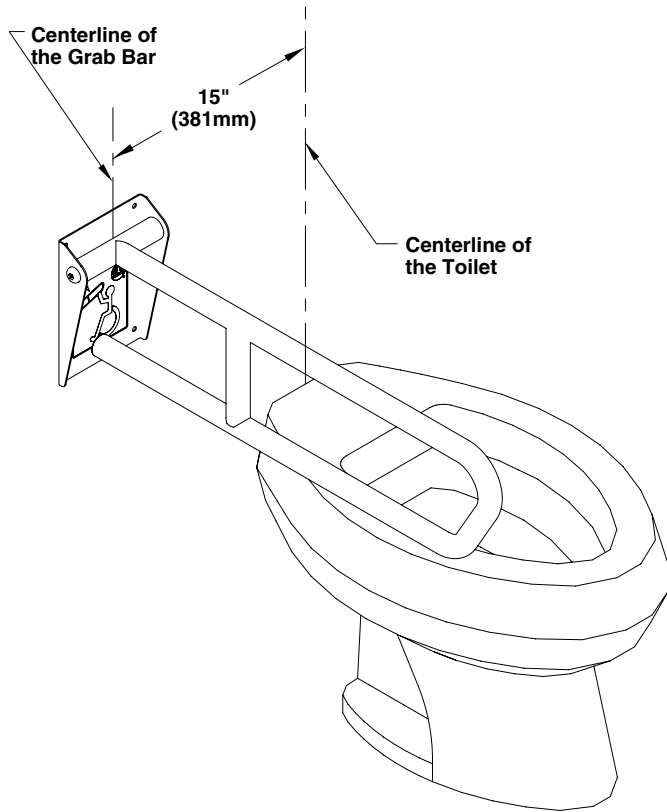
Installation

Swing-Up Grab Bar



IMPORTANT: All mounting hardware is supplied by installer and must have a minimum pull-out rating of 1,000 lbs.

Recommended Mounting Dimensions



IMPORTANT: Periodic maintenance of assembly bolts (by torquing to 25–30 ft lbs) is required.



P20-154 Rev. B; ECM 10-15-040
© 2010 Bradley Corporation
Page 1 of 1 7/9/10



P.O. Box 309, Menomonee Falls, WI USA 53052-0309

Distributed by
www.Ameraproducts.com
Phone: (800) 608-6568
Fax: (409) 840-5545
info@ameraproducts.com