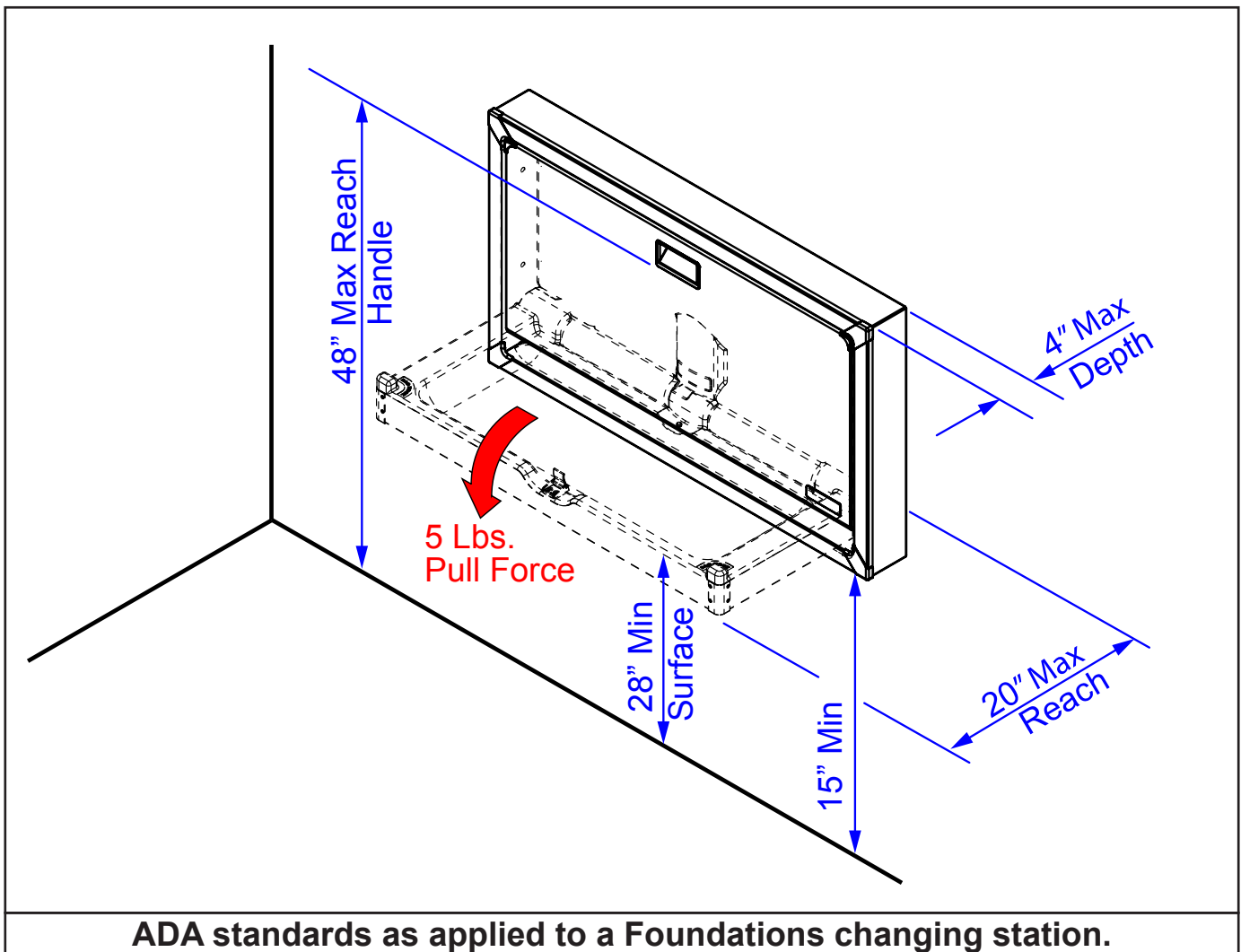




ADA Compliance Guide

For Foundations Changing Stations

All Foundations Changing station units meet or exceed the ADA compliance regulations when installed properly.

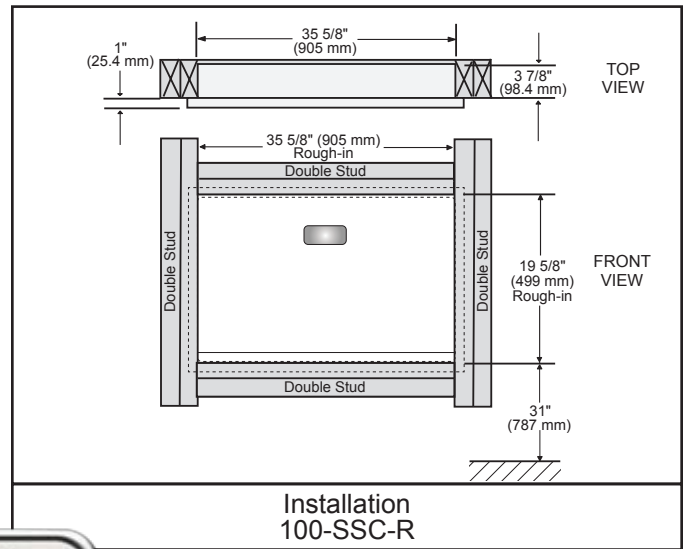
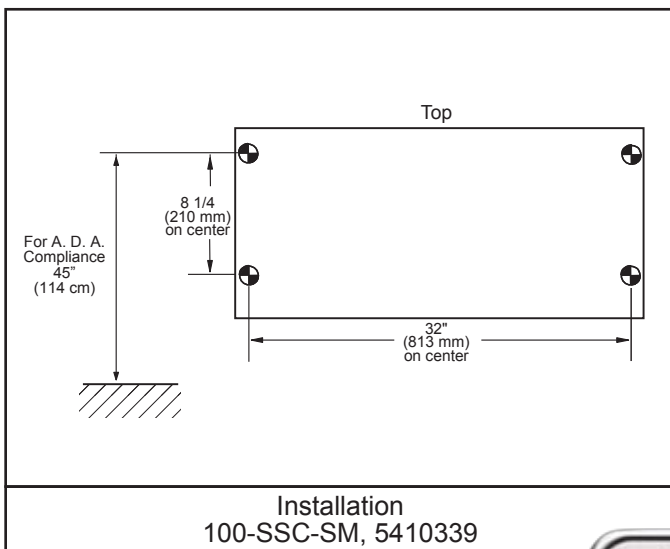
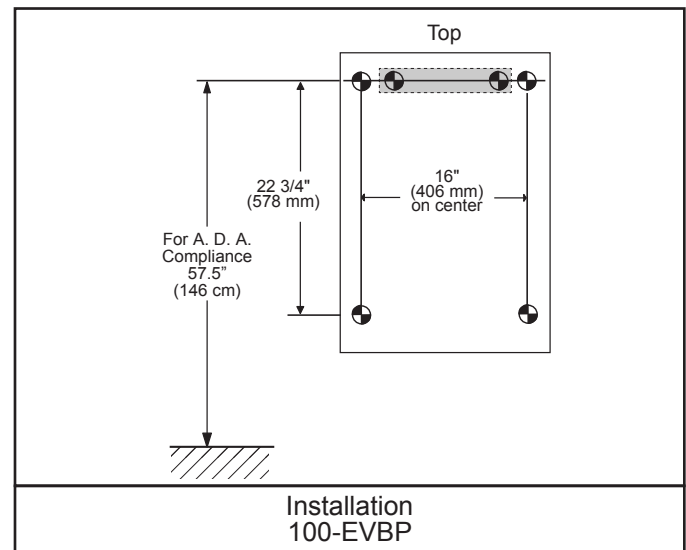
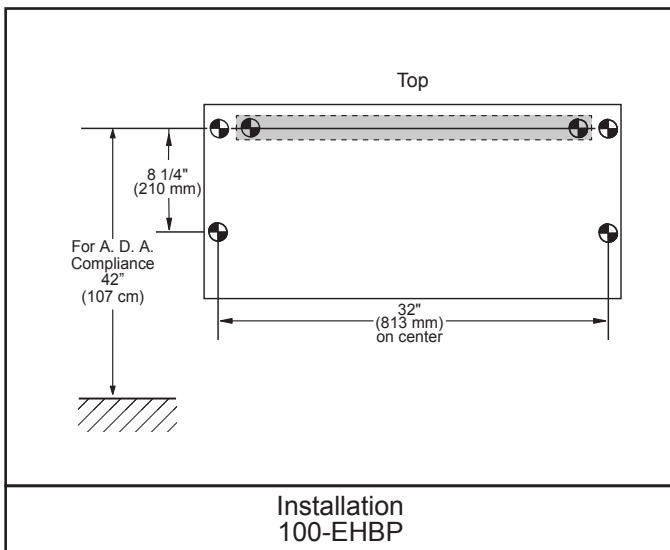
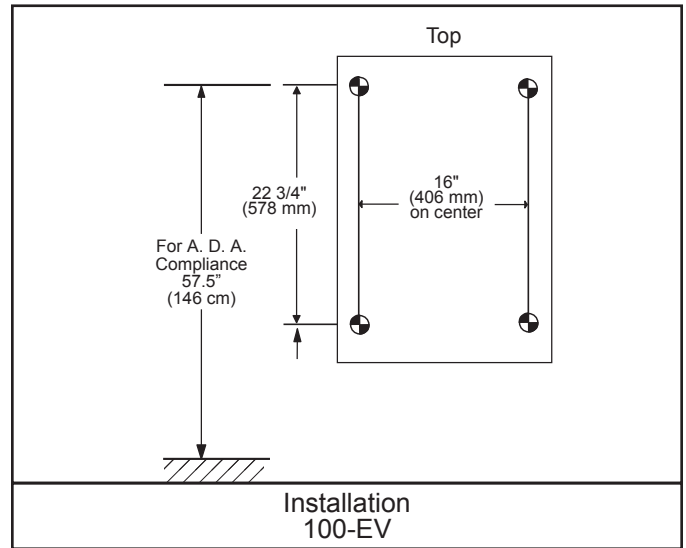
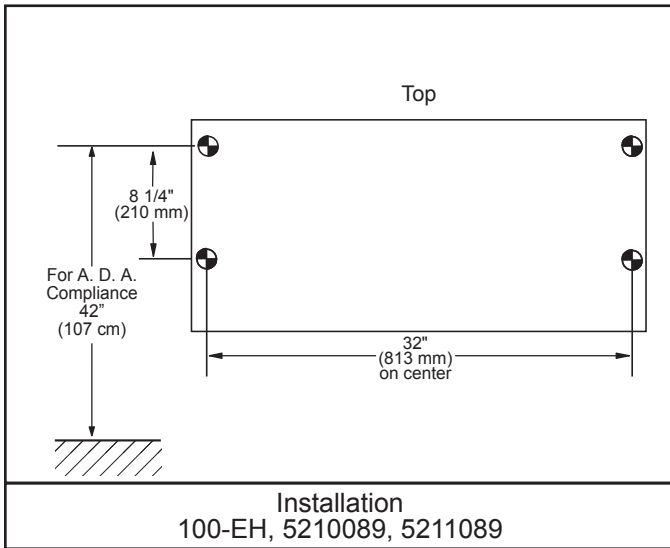


ADA standards as applied to a Foundations changing station.

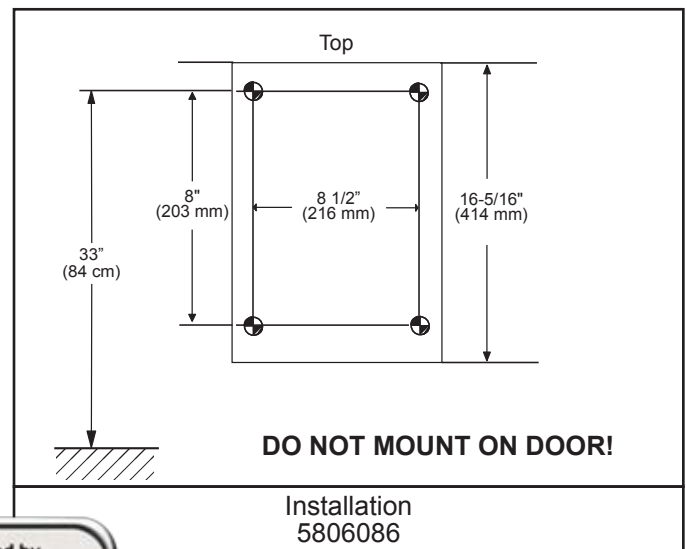
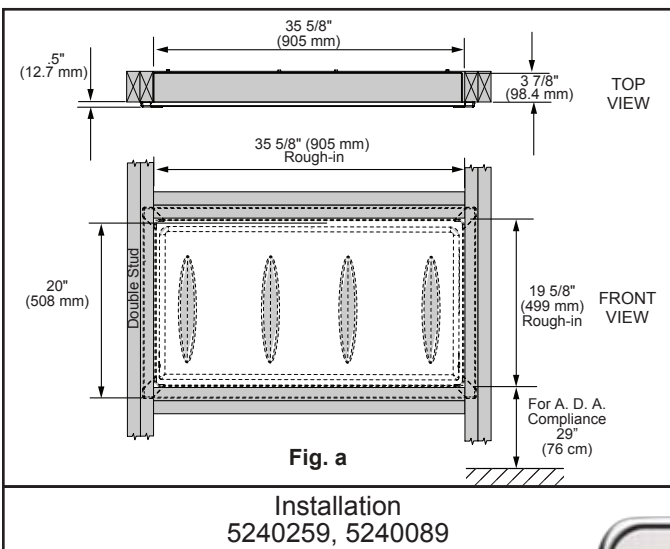
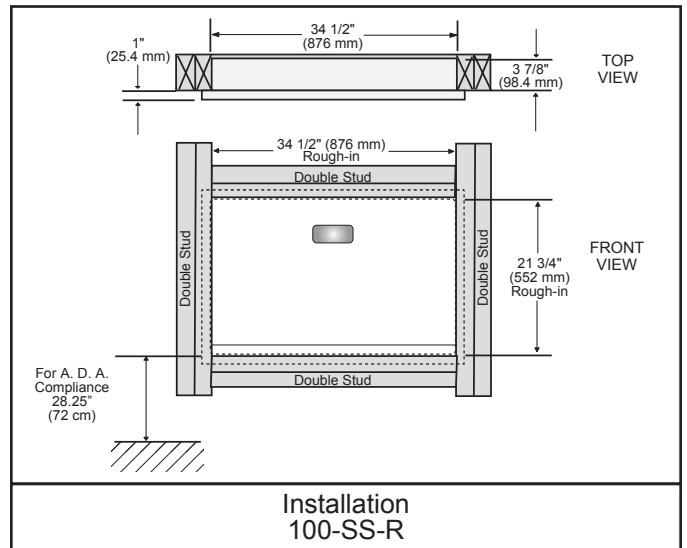
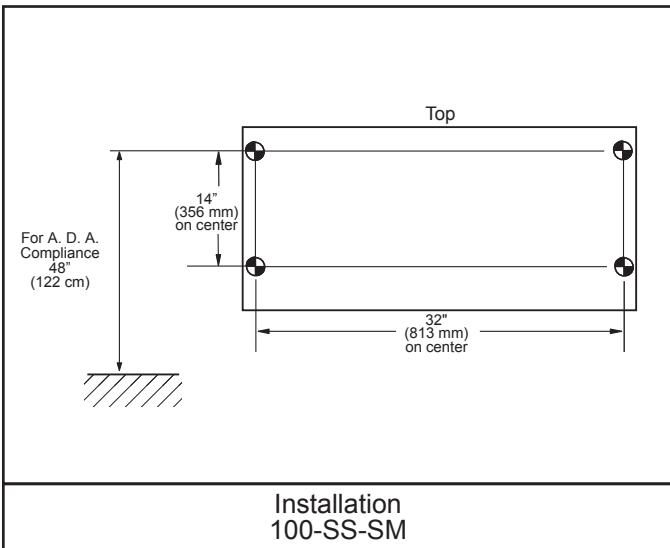
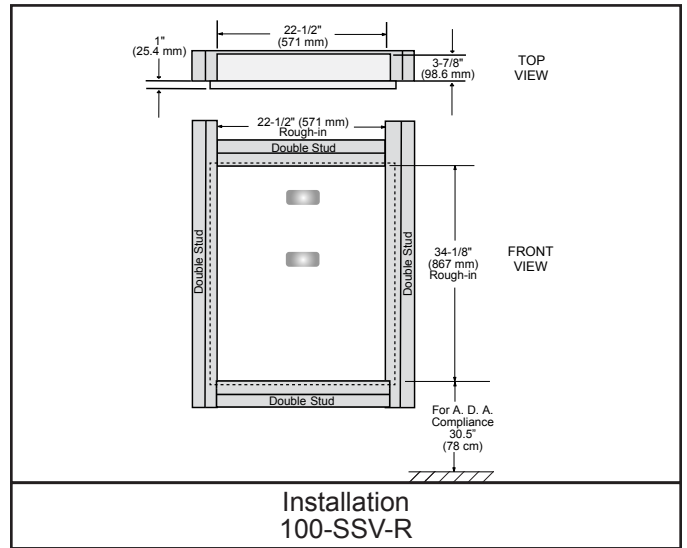
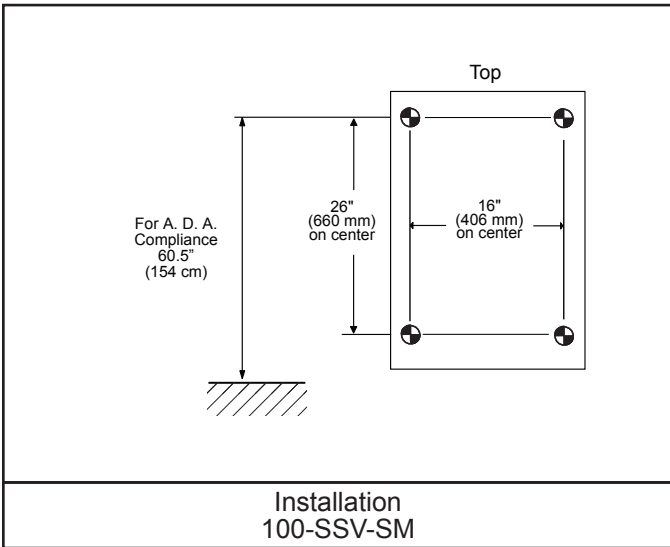
Please refer to following figures and descriptions for more technical detail.



Foundations Changing Station Installation Guide



Distributed by
www.Ameraproducts.com
Phone: (800) 608-6568
Fax: (409) 840-5545
info@ameraproducts.com



Distributed by
www.Ameraproducts.com
 Phone: (800) 608-6568
 Fax: (409) 840-5545
info@ameraproducts.com

ADA Compliance Standards Guide

306.3 Knee Clearance

Knee clearance shall extend 25 inches (635 mm) maximum under an element at 9 inches (230 mm) above the finish floor or ground. Where knee clearance is required under an element as part of a clear floor space, the knee clearance shall be 11 inches (280mm) deep minimum at 9 inches (230 mm) above the finish floor or ground, and 8 inches (205 mm) deep minimum at 27 inches (685 mm) above the finish floor or ground. See figure(s) 306.3(a) and 306.3(b) below.

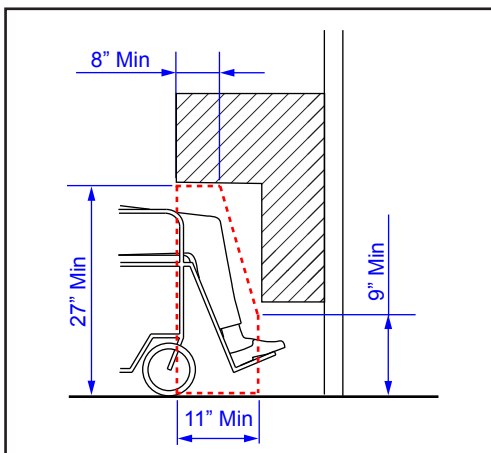


Figure 306.3 a
Knee Clearance, Elevation View

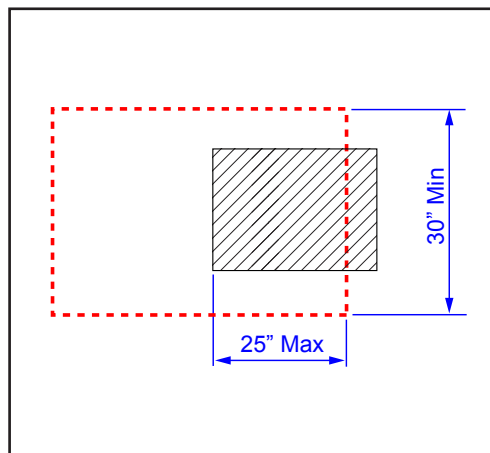


Figure 306.3 b
Knee Clearance, Plan View

307.2 Maximum Protruding Objects

Objects with leading edges more than 27 inches (685 mm) and not more than 80 inches (2030 mm) above the finish floor or ground shall protrude 4 inches (100 mm) maximum horizontally into the circulation path. See figure(s) 307.2 below.

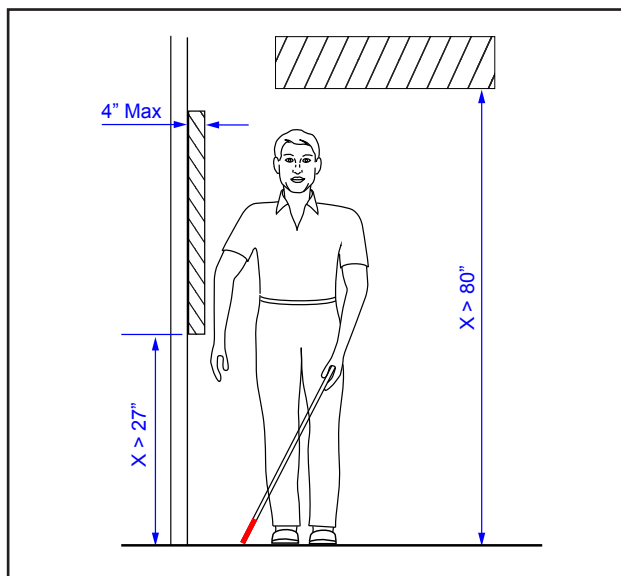
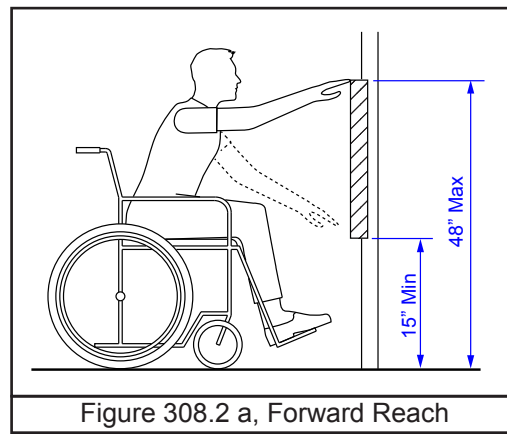


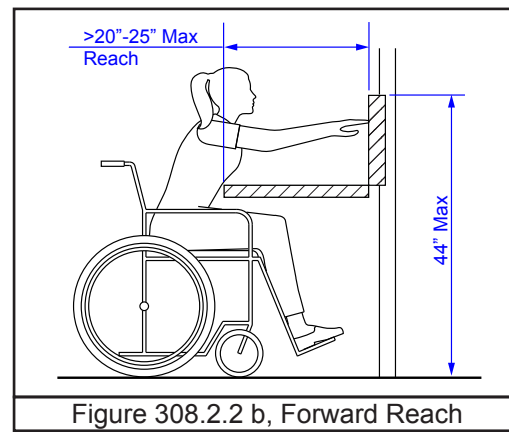
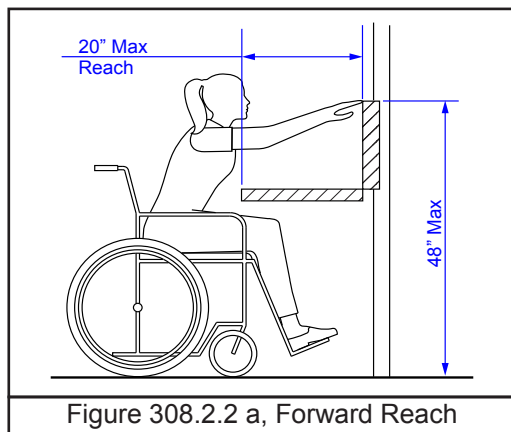
Figure 307.2
Maximum Protruding Objects

308.2 Forward Reach

Where a forward reach is unobstructed, the high forward reach shall be 48 inches (1220 mm) maximum and the low forward reach shall be 15 inches (380 mm) minimum above the finish floor or ground. See Figure(s) 308.2(a).

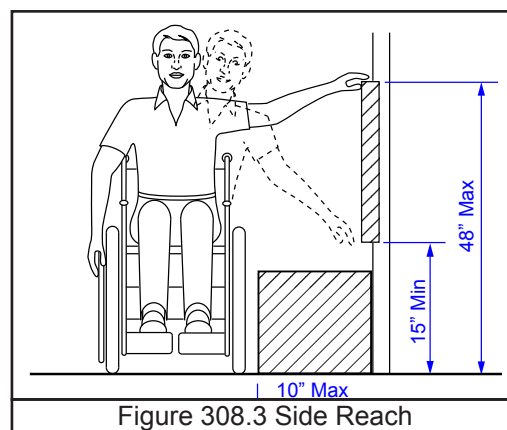


Where a high forward reach is over an obstruction, the clear floor space shall extend beneath the element for a distance not less than the required reach depth over the obstruction. The high forward reach shall be 48 inches (1220 mm) maximum where the reach depth is 20 inches (510 mm) maximum. Where the reach depth exceeds 20 inches (510 mm), the high forward reach shall be 44 inches (1120 mm) maximum and the reach depth shall be 25 inches (635 mm) maximum. See figure(s) 308.2.2(a) and 308.2.2(b) below.



308.3 Side Reach

Where a clear floor or ground space allows a parallel approach to an element and the side reach is unobstructed, the high side reach shall be 48 inches (1220 mm) maximum and the low side reach shall be 15 inches (380 mm) minimum above the finish floor or ground. See figure(s) 308.3(a) below.



309.4 Operation

Operable parts shall be operable with one hand and shall not require tight grasping, pinching, or twisting of the wrist. The force required to activate operable parts shall be 5 pounds (22.2 N) maximum.

902.3 Work Surface

The tops of dining and work surface shall be 28 inches (710 mm) minimum and 34 inches (865 mm) maximum above the finish floor or ground.