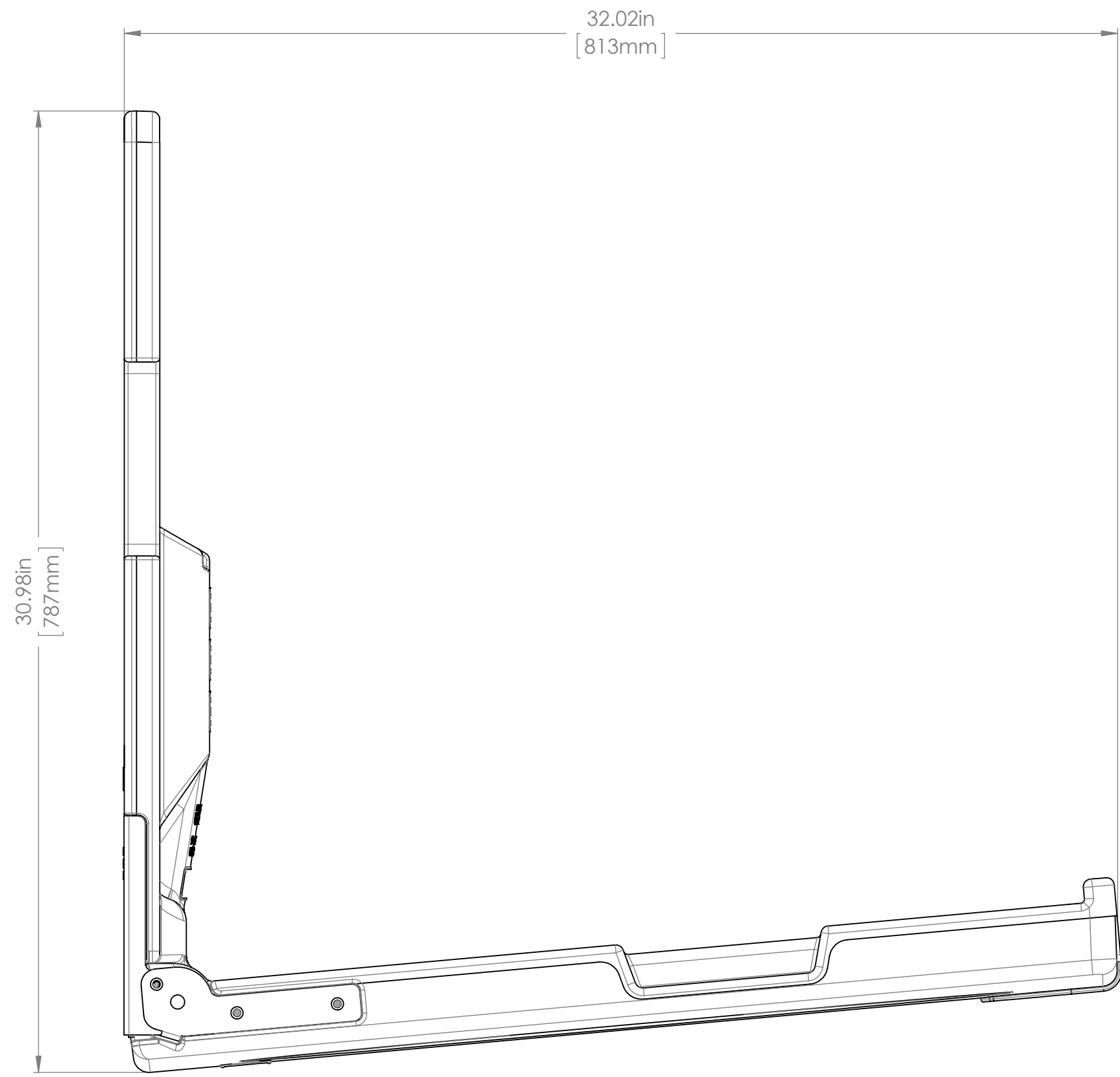
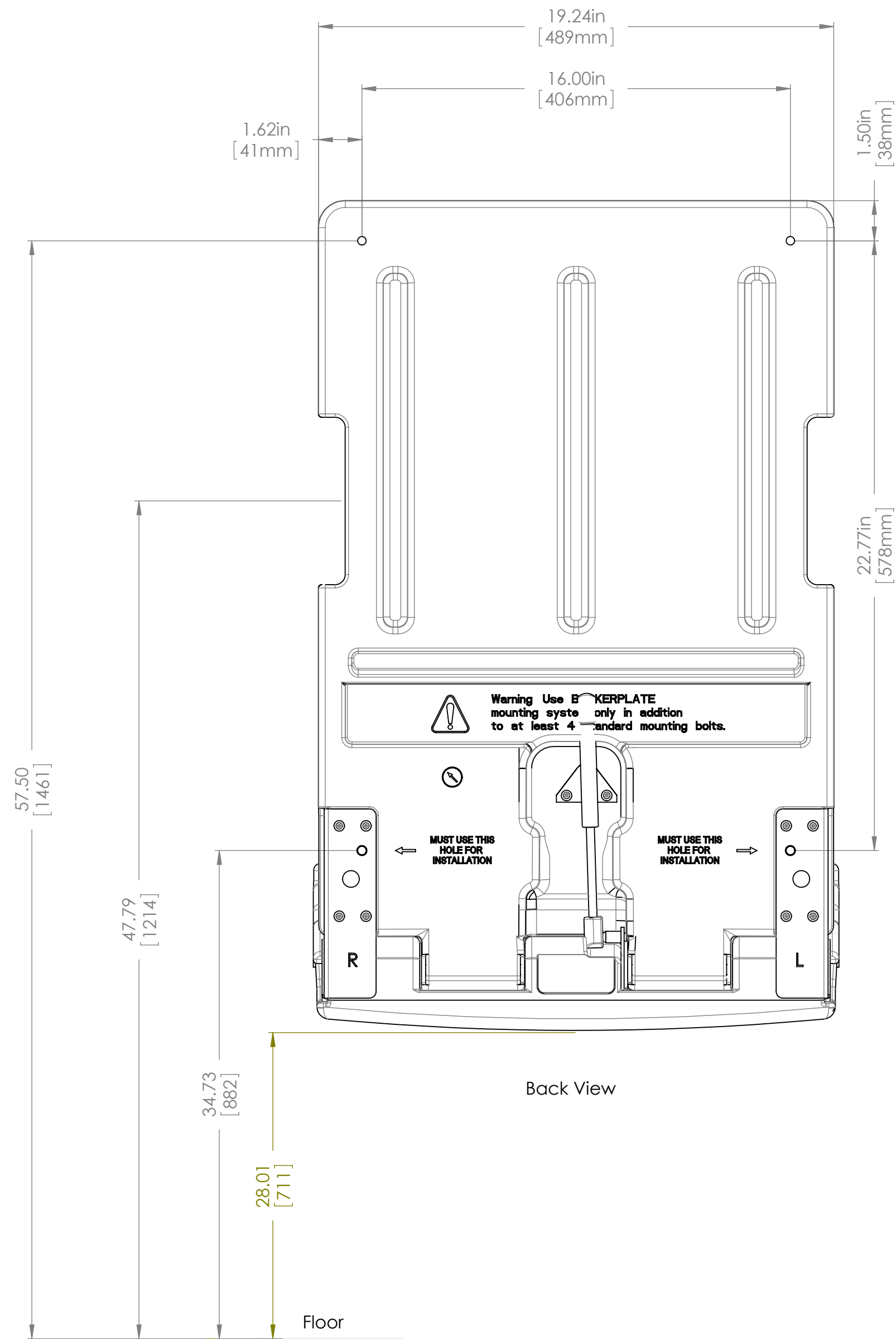


| REV. | DESCRIPTION                            | DATE      | APPROVED |
|------|--|-----------|----------|
| 0    | Initial Release                        | 5/18/2009 | JXxxx    |
| 1    | A.F.F. height change: 61.0in to 57.5in | 2/06/13   | LP       |



Distributed by  
**www.Ameraproducts.com**  
 Phone: (800) 608-6568  
 Fax: (409) 840-5545  
 info@ameraproducts.com

|  |     |   |              |
|--|-----|---|--------------|
| DIMENSIONAL TOLERANCES:<br>(UNLESS OTHERWISE SPECIFIED)<br>FRACTIONAL: $\pm \frac{1}{32}$ "<br>MACHINED ANGLES: $\pm 0.5^\circ$<br>BEND ANGLES: $\pm 1.0^\circ$<br>0.XX: $\pm 0.040$ in [1mm]<br>0.XXX: $\pm 0.0150$ in [0.38mm] |     |   |              |
| DESCRIPTION:<br><b>Architectural Layout for 100EV</b>  |     |   |              |
| MATERIAL:  | N/A | PART NO:  | Arch - 100EV |
| FINISH:  | N/A | SCALE:  | NTS          |
|  |     | REV:  | 1            |
|  |     | DATE:   | 3/26/2009    |
|  |     | SIZE:   | C            |
|  |     | SHEET:  | 1 of 1       |
| <b>PROPRIETARY AND CONFIDENTIAL</b>  |     | THE INFORMATION CONTAINED IN THIS DRAWING IS THE EXCLUSIVE PROPERTY OF FOUNDATIONS WORLDWIDE, INC. ANY REPRODUCTION OR USE OF THIS DRAWING, IN PART OR IN WHOLE WITHOUT THE EXPRESSED PERMISSION OF FOUNDATIONS WORLDWIDE, INC IS PROHIBITED. |              |