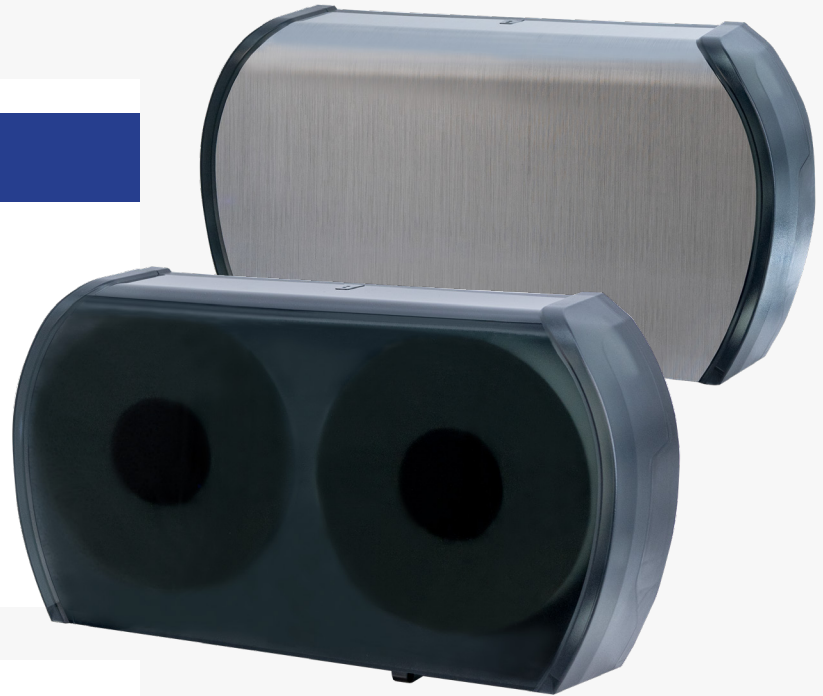


Premium Twin 9" Jumbo Tissue

Product Overview

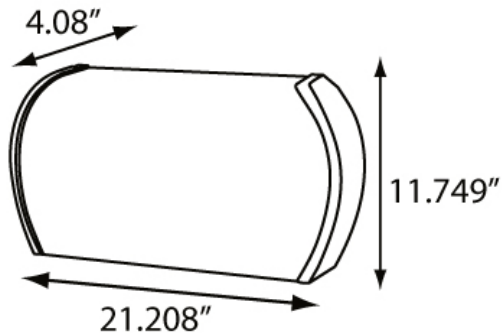
The RD0057 Twin 9" Jumbo Roll Tissue Dispenser will hold any universal 9" jumbo tissue roll with a 3-3/8" core. This unit is available with a translucent cover or with a faux-stainless in-mold finish. Custom in-mold labeling available with MOQ.



Product Features:

- Built in level for ease of installation
- Keyless push button option included
- Double-latch lock prevents waste
- Semi-translucent sides makes it easy to detect low paper supply
- Made in the USA
- In-Mold Labeling option available for a fully customizable cover*
- ADA Compliant

*300 unit MOQ for custom in-mold labeling



More information and images available online.

MODEL #	COLOR	
RD0057-02	BLACK TRANSLUCENT	02
RD0057-09	STAINLESS	09

Specifications:   

Dimensions (in)	21.208" w x 11.749" h x 4.08" d
Weight (lb)	3.40 lb
Key Type	1
Capacity	Two 9" Jumbo Tissue
Case Pack	4 (3.71' ³)
Pallet Qty	96 units

