



**PALMER
FIXTURE**

SINCE 1907

Distributed by
www.AmeraProducts.com
Phone: (800) 608-6568
Fax: (409) 840-5545
info@ameraproducts.com

turnado (RD0044-01)

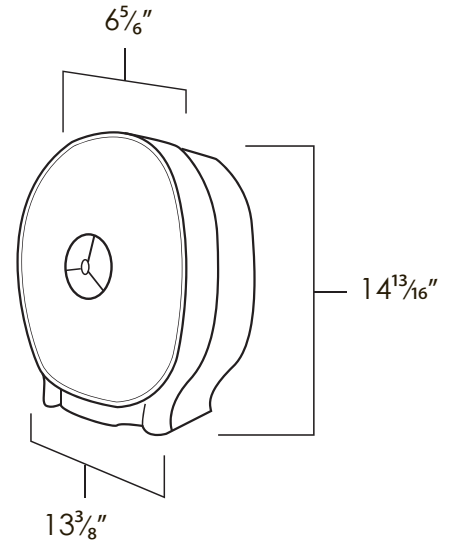
universal 4 roll carousel tissue dispenser
quad capacity - crafted for ultimate convenience





Turnado (RD0044-001)

Universal 4 Roll Carousel Tissue Dispenser



description (RD0044-01)

- 4 station conventional tissue carousel
- roll advance mechanism
- towel is completely covered for maximum hygiene
- vandal-proof, break resistant, chemical and flame resistant
- made of tough impact resistant materials
- back is manufactured of recyclable material
- translucent cover allows for view of paper supply
- custom pad printing available
- locking hinged cover eliminates pilferage

specifications

- model: RD0044-01
- case weight: 24 lbs.
- case pack: 6
- key type: 2

roll specifications

- width: 4.5" max
- diameter: 5" max
- standard core size: 1.5"
- weight: 4.4 lbs.

Model	Colors Available	Dimensions	Capacity	Case Pack	Case Weight	Key Type
RD0044-01	Dark Translucent	13½" x 14¾" x 6¼"	Four 4½" W x 5 ¼" D Rolls (1½" Core)	6	24 lb.	2

Distributed by
www.Ameraproducts.com
 Phone: (800) 608-6568
 Fax: (409) 840-5545
info@ameraproducts.com



SINCE 1907

Palmer Fixture
 P.O. Box 10887
 Green Bay, WI 54307

