

RD0028

Two-Roll Standard Tissue Dispenser



FEATURES



- Double latch lock works with standard metal key
- Space saving design
- Easy access to reserve roll
- Enclosed second roll for maximum hygiene
- 2-roll capacity avoids supply run out
- Permanent key knob available

AVAILABLE COLORS

Dark Translucent Cover
with a Beige Back

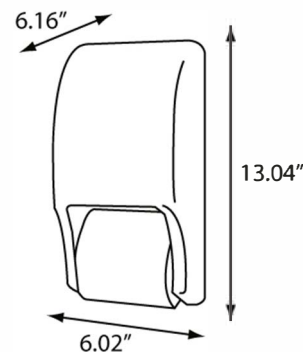


White Translucent Cover
with a Beige Back



SPECIFICATIONS

Model #	RD0028-01 (Dark Translucent) RD0028-03 (White Translucent)		
Dimensions	6.02" W x 13.04" H x 6.16" D		
Weight	1.75 lbs	Case Pack	6 per case - 2.28' ³
Capacity	2 - 4½" W x 5¼" D Rolls (1½" Core)	Key Type	1



Palmer Fixture
P.O. Box 10887
Green Bay, WI 54307

