

Model# CS000250

Sanitary Napkin Container



FEATURES

- Handle allows for easy opening and closing, without needing to touch the lid itself
- Unit opens from top and bottom to allow for ease of bag changing and trash removal
- Slim design allows unit to be mounted on bathroom stall panels
- Heavy duty metal construction
- Easy to clean surface inside and out

Available Colors:

(09) Brushed Stainless

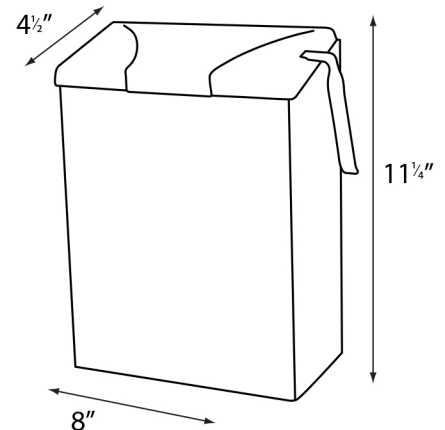


(17) White



SPECIFICATIONS

Model #	CS000250-09 (Brushed Stainless) CS000250-17 (White)
Dimensions	8"W x 11¼"H x 4½"D
Weight	3.16 lbs each
Case Pack	6 per case - 2.06'³ Case Cube



Palmer Fixture
P.O. Box 10887
Green Bay, WI 54307