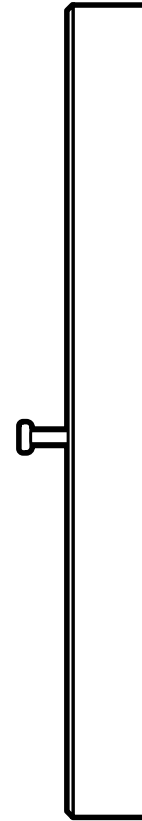




# Koala Kare Products

## Installation & Operations Instructions

Distributed by  
[www.Ameraproducts.com](http://www.Ameraproducts.com)  
Phone: (800) 608-6548  
FAX: (409) 840-3542  
[info@ameraproducts.com](mailto:info@ameraproducts.com)



# KB311-SSWM

## Surface-Mounted Baby Changing Station

Cambiador Plegable  
Table à Langer  
Babywickelstation



**Important.** Retain for future reference. Read carefully.  
**Importante.** Guárdelo para futuras consultas. Leer atentamente.  
**Important.** À conserver pour information. À lire attentivement.  
**Wichtig.** Zur späteren bezugnahme aufbewahren. Bitte sorgfältig durchlesen.

The KB311 Baby Changing Stations have been designed to meet the following applicable provisions of the 2010 ADA Standards (ADAS) and the 2009/2017 American National Standards Institute A117.1 Standards (ANSI 2009/2017) when properly installed and maintained. To comply with these accessibility requirements, the unit must be installed in a compliant location and height in accordance with the installation instructions.

You are responsible for the safe operation of this unit.

Distributed by  
[www.Ameraproducts.com](http://www.Ameraproducts.com)  
Phone: (800) 608-6548  
FAX: (409) 840-3542  
[info@ameraproducts.com](mailto:info@ameraproducts.com)



# KB311-SSWM

## Operations Instructions

### Please Note

To assure proper installation, it is suggested that a qualified person or carpenter install the Koala Baby Changing Station. Koala Kare Products will not be responsible if the station is not installed properly. Koala Baby Changing Stations have been tested to hold a substantial static load. The unit must be attached to a permanent wall that is capable of holding a substantial load. The maximum recommended total weight for this baby changing station is 50 lbs. Excessive weight may cause a hazardous or unstable condition to exist.

### Inspection Criteria

A properly maintained baby changing station:

- Opens and closes smoothly.
- Has a functioning strap and buckle. Strap is held firmly in place when buckle is depressed over it.
- Offers parents liners through a fully stocked liner dispenser. (Dispenser built into unit.)
- Provides a clean, convenient place for customers to attend to their children.

### Restraint System

Check strap by releasing the lever on the buckle and pulling one end of the strap up through the bottom of the buckle, depressing the lever when the strap is tight. Give the strap a tug in the horizontal direction away from the buckle, checking that the strap remains in place beneath the buckle. To loosen the strap, release the lever and pull the strap from the bottom of the buckle.

### ASTM F2285-04 (2016)

- ⚠ **WARNING:** Never leave child unattended.
- ⚠ **WARNING:** Avoid serious injury from falling or sliding out. Always use restraint system.
- ⚠ **WARNING:** Designed for Infants Only. Age up to 3.5 years and weighing less than 50 lb (22.7 kg). Keep one hand on the child at all times.

Parcels or accessory items, or both, placed on the unit may cause the unit to become unstable.



### Replacement Parts

Replacement parts and additional liners can be purchased from your local distributor

### ADA Requirements

Additional information on how this product complies with ADA requirements can be found in the *KB310 & KB311 Baby Changing Stations Accessibility Compliance* document

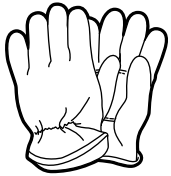




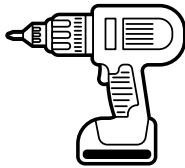
# KB311-SSWM

## Installation Instructions

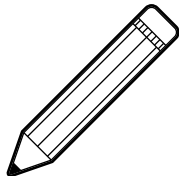
### Tools Needed



Safety Gloves



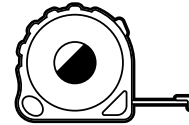
Drill



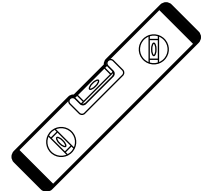
Pencil



Wall Stud Finder



Measuring Tape



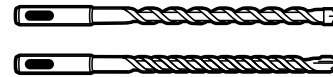
Level



Phillips Head  
Screwdriver



1/8" (3mm)  
(regular & masonry)  
drill bits

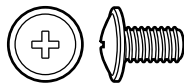


7/32" (6mm)  
(regular & masonry)  
drill bits

### Hardware Provided



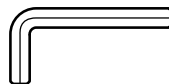
1/4" x 3"  
Pan Head Wood Screws  
Quantity: 8



8-32" x 5/16"  
Flange Button Phillips Head Screws  
Quantity: 4



9/32" x 7/8"  
Flat Head Phillips Screws  
Quantity: 3



Allen Wrench





# KB311-SSWM Installation Instructions

Fig. 1

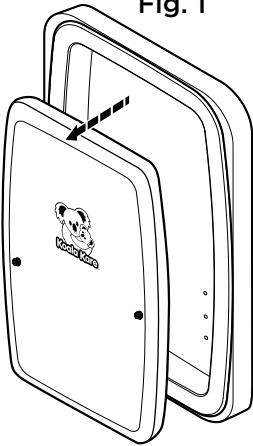


Fig. 2

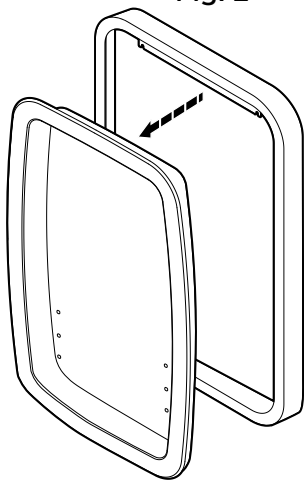


Fig. 3

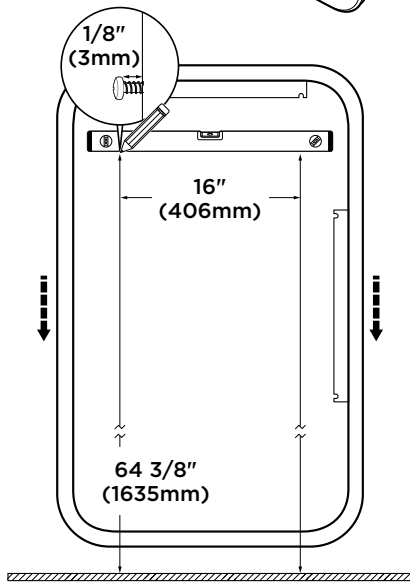
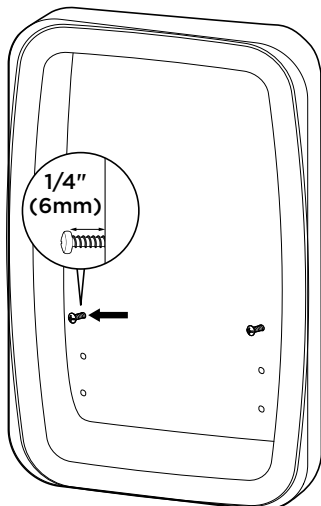


Fig. 4



## Step 1:

- Be sure to wear safety gloves to protect your hands from the products exposed metal edge.
- Remove the handle and bag hook from the packaging and set to one side.

## Step 2:

- Remove the main unit from the flange by lifting it out and set to one side, face down on a protected flat surface. **Fig. 1**
- Lift the flange out of the skirt and set to one side. **Fig. 2**

## Step 3:

- Measure up the wall 64 3/8" (1635mm) and mark the desired mounting location on wall stud center. **Fig. 3**
- Measure across 16" (406mm) and use a level to mark for the second mounting location. The skirt has two hangers set on 16" (406mm) centers for easy installation.
- Predrill and screw in the provided mounting screws, make sure to leave -1/8" (3mm) of the thread exposed.
- Position the hangers over the screws and hang the skirt. Make sure to check it is level before securing the mounting screws.

## Step 4:

- Take the flange and position it inside the skirt. Make sure the mounting holes are towards the floor. Flange should be centered inside the skirt.
- Use the mounting holes to mark and predrill for the mounting screws. Screw in the top two screws, make sure you leave -1/4" (6mm) of thread exposed for hanging the main unit. **Fig. 4**

\*Diagrams are not to scale.

Distributed by  
[www.Ameraproducts.com](http://www.Ameraproducts.com)  
Phone: (800) 608-6548  
FAX: (409) 840-3541  
[info@ameraproducts.com](mailto:info@ameraproducts.com)



# KB311-SSWM Installation Instructions

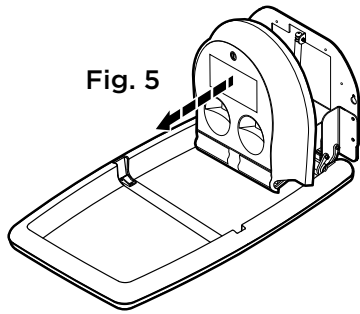


Fig. 5

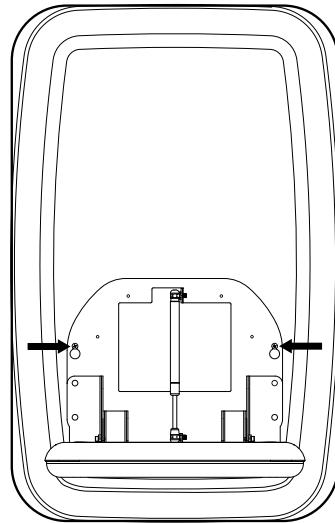


Fig. 6

## Step 5:

- Open the main unit by pulling up on the frame and remove the plastic liner dispenser. Set it to one side.

### **Fig. 5**

- Lift the unit into the flange locating the key holed mounting holes over the mounting screws. **Fig. 6** This may be easier with the assistance of a second person.

## Step 6:

- Secure the unit through the remaining mounting holes with the provided mounting screws. **Fig. 7**
- Tighten the upper mounting screws.

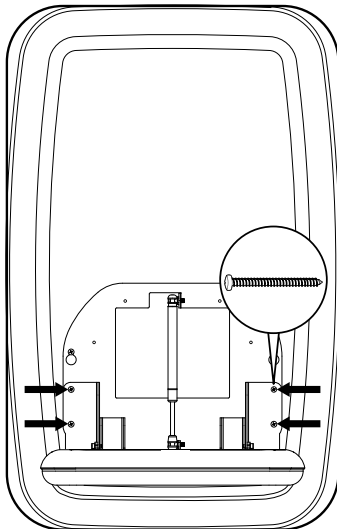


Fig. 7

## Step 7:

- With the unit open take the liner dispenser and position it over the exposed metal frame in the center of the flange.
- Use the provided key to open the liner dispenser. This will provide access to the four mounting holes.
- Use the provided hardware to secure the liner dispenser to the metal frame. **Fig. 8**
- Lock the liner dispenser and close the unit.

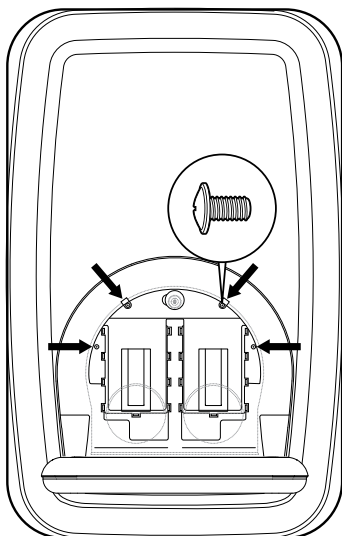


Fig. 8





# KB311-SSWM

## Installation Instructions

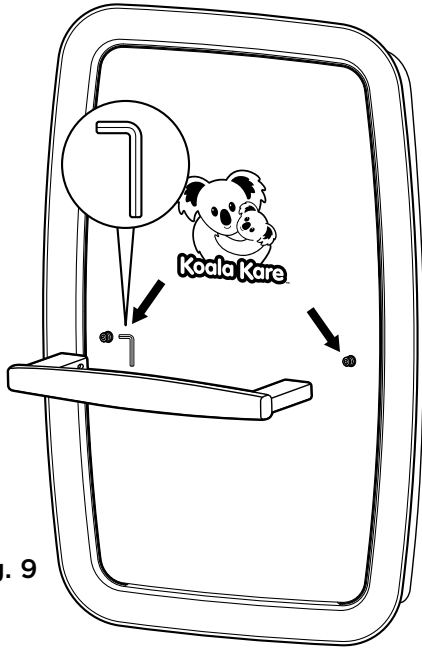


Fig. 9

### Step 8:

- Take the provided handle and position it over the handle mounting studs.
- Use provided Allen wrench to tighten the set screws in the handle, securing it to the handle mounting studs. **Fig. 9**

### Step 9:

- Test the unit by opening and closing multiple times, ensuring it opens and closes smoothly.
- Remove protective film from the surface of the unit.

### Step 10:

- To install the bag hook, measure up 44" from finished floor in the desired location and mark the wall.
- Position the bag hook on the wall so that the top of the mounting plate is level with the 44" mark.
- Position the bag hook over a wall stud for optimal strength.
- Mark then predrill the mounting holes. **Fig. 10**
- Use the provided screws to secure the bag hook in position, then take the escutcheon plate and screw it over the mounting plate to cover the mounting screws. **Fig. 11**

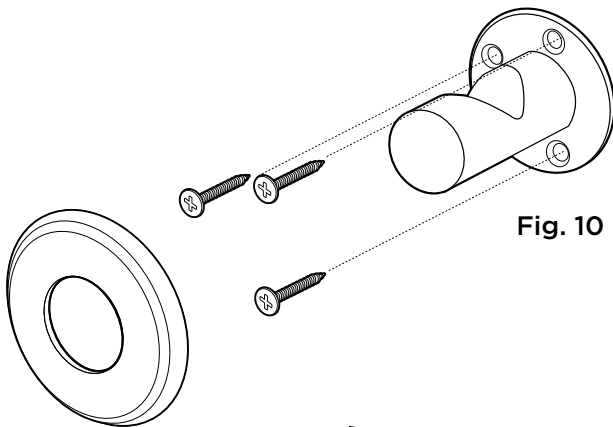


Fig. 10

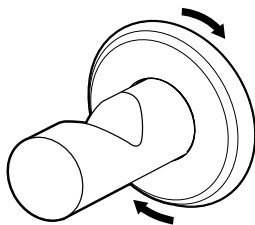


Fig. 11

**Koala Kare Products**  
**A Division of Bobrick**

6982 South Quentin Street, Centennial, CO 80112-3945

©2020 Koala Kare Products, Form No. ###. December 2020

