



# AKARP

ASSOCIATES, INC.

## Access Doors



Distributed by  
[www.Ameraproducts.com](http://www.Ameraproducts.com)  
Phone: (800) 608-6568  
Fax: (409) 840-5545  
[info@ameraproducts.com](mailto:info@ameraproducts.com)

## Why Choose Karp Associates ?

*Karp Associates, Inc., founded in 1956 at its present location in Maspeth, Queens, actually has roots dating back to 1925 when Karp Metal Products was founded in a small garage in Brooklyn, NY. The original plant in Maspeth was only 5,000 square feet. Expansions in 1958, 1963, 1989 and 1998 grew the plant to its current size of 44,000 square feet. During the late fifties and early sixties, the manufacture and sale of access doors was a "job shop" effort. In the late sixties Karp's President, recognized the need to automate and expand the production of access doors for more diverse applications. Almost 40 years after that decision was made, Karp Associates is the leading manufacturer and distributor of access doors in the world.*

*Karp believes we all share the responsibility for our environment. Karp's shipping cartons are made of recycled corrugate, catalogs and unused printed material are donated yearly to a community recycling facility, and Karp's new paint system is approved by the EPA. Karp's customized electrostatic powder paint system provides customers with a high quality, durable finish, with a much higher resistance to corrosion. Also, Karp's powder contains no damaging solvents and therefore no toxic fumes are emitted into the atmosphere. In this way, Karp ensures continuous high quality product, without sacrificing our commitment to the environment. Last, but not least, Karp manufactures 100% of its products in the United States.*

*Karp's Robotics Department boasts of three robotic systems called "cells". Each "cell" produces doors at a rate of 400 to 500 percent faster than humans. Indeed, over 75 percent of all Karp doors are produced in Karp's Robotics Department. For Karp dealers this means customers get the best quality door with the quickest availability. It also provides Karp with the ability to maintain a complete stock at all times of almost every door available. If out of stock, doors can be produced and shipped within 72 hours.*

*Karp understands the many special needs of dealers and customers. That's why Karp's Special Custom Door Department has its own dedicated staff to handle special orders including, quoting, technical advice, technical information, order entry, engineering drawings, a special manufacturing team, and general customer service & delivery information services. In other words, Karp makes your special order requests a standard process.*

*Karp maintains a complete stock in their warehouses located coast to coast throughout the U.S. in order to ensure timely deliveries and superior service.*



Distributed by  
[www.Ameraproducts.com](http://www.Ameraproducts.com)  
Phone: (800) 608-6568  
Fax: (409) 840-5545  
[info@ameraproducts.com](mailto:info@ameraproducts.com)



Distributed by  
www.Ameraproducts.com  
Phone: (800) 608-6568  
Fax: (409) 840-5545  
info@ameraproducts.com

## *Environmental Awareness Policy*

Karp Associates, Inc. is committed to protecting our environment, and realizes that minimizing the environmental impact of our manufacturing processes is critical to the future of our planet.



Karp fabricates all access doors with a minimum of 35% post consumer and a minimum of 35% post industrial recycled steel. All scrap steel materials accumulated from the fabrication process are recycled again.



Karp finishes all of its access doors with a high quality, durable, rust resistant powder paint finish that is EPA approved. Karp's powder paint contains no Volatile Organic Compounds (VOC) or Hazardous Air Pollutants (HAP), and therefore no toxic fumes are emitted into the atmosphere. Excess powder paint that is accumulated in the painting process is recycled to be used again.



Approximately 90% of the steel, used in the manufacturing of KARP Access doors is extracted from the United States.



KARP Access Doors are manufactured in Maspeth, NY, USA.



Karp packages its access doors in shipping cartons that are made of recycled corrugate. Catalogs and unused printed materials are donated yearly to a community recycling facility.



Karp participates in an Energy Demand Response Program and operates a power generator when the local power authority is at maximum supply, thereby reducing the demand for energy on the local community.



Karp implements freight policies that encourage consolidated shipments throughout the country in order to conserve fuel.

Whether it is in the manufacturing process or packaging materials, Karp continuously explores new ways to be environmentally responsible, in order to create a healthier environment for our community, employees, partners and our clients.

***Protecting Our Environment. Protecting Our Future.***

# Economical Access Doors

## HA Plastic Panel

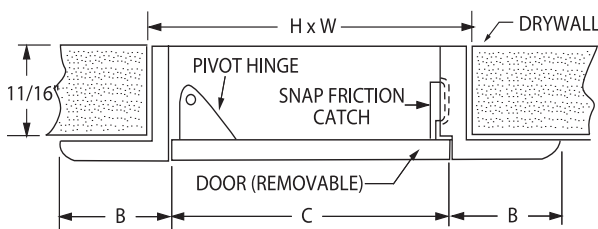
(w/removable-hinged door)

The Handi-Access plastic door is suitable for all surfaces and can be installed easily by applying glue or caulking adhesive to the back of the frame and pressing into place.

### Specifications

Access doors shall be type HA.

- Door and frame shall be constructed from 1/8" high impact styrene plastic.
- Door shall have pivot hinge enabling door panel to be hinged or removable.
- Door panel shall be held closed with a snap friction catch and opened without special tools.
- Finish shall be white lightly textured exposed surface for easy painting or wallpapering.



Door Size (H x W)	Standard Sizes Wall Opening Dimensions				Shipping Wt. (lbs.)
	B	C	H	W	
6 x 4	1	5 3/4	6	4	.3
9 x 6	1	5 3/4	9	6	.5
8 x 8	1	7 3/4	8	8	.6
14 x 14	1 1/4	13 3/4	14	14	1.6
22 x 22	1 1/2	21 5/8	22	22	3.4

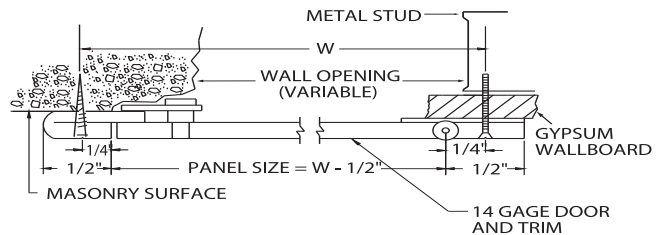
## DSB-214SM

The DSB-214SM is a surface mounted door that does not require framing, bracing or notching and cutting of inner wall obstructions. Single piece construction of the frame prevents unit from racking and allows door to sit perfectly within frame and to open to 175°.

### Specifications

Access doors shall be type DSC 214SM

- On sizes 12" x 12" and smaller, door and frame shall be 16 gauge steel; on larger sizes, door and frame shall be 14 gauge steel.
- Trim shall be one piece construction with continuous piano hinge.
- Latches shall be flush and screwdriver operated or cylinder lock with dust shutter.
- Finish shall be prime coat of rust inhibitive electrostatic powder, baked grey enamel.



Door Size (H x W)	# of Latches	Shipping Wt. (lbs.)
8 x 8	1	1.8
12 x 12	1	4.2
16 x 16	2	7.0
24 x 24	5	13.7

Distributed by  
[www.Ameraproducts.com](http://www.Ameraproducts.com)  
 Phone: (800) 608-6568  
 Fax: (409) 840-5545  
[info@ameraproducts.com](mailto:info@ameraproducts.com)

# Economical Access Doors

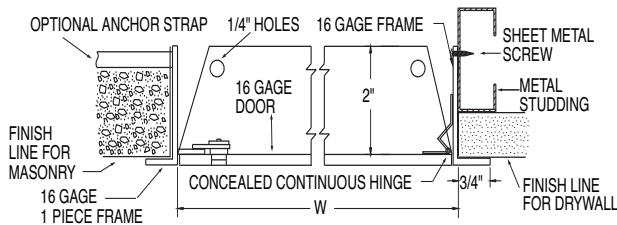
## ME

The ME door provides an economical, superior quality and aesthetically pleasing solution for new construction or remodeling. The frame, return and extended door stop are one piece construction resulting in a maintenance free and durable door.

### Specifications

Access doors shall be type ME

- Return, doorstop and 3/4" trim shall be one piece construction of 16 gauge steel.
- Door shall be 16 gauge steel.
- Hinge shall be concealed continuous piano hinge.
- Latches shall be flush and screwdriver operated or cylinder lock with dust shutter.
- Finish shall be prime coat of rust inhibitive electrostatic powder, baked grey enamel.



### Standard Sizes

Door Size (H x W)	Wall/Ceiling Opening	# of Stud Latches	Shipping Wt. (lbs.)
6 x 6	6 1/4 x 6 1/4	1	1.2
8 x 8*	8 1/4 x 8 1/4	1	2.2
10 x 10*	10 1/4 x 10 1/4	1	3.4
12 x 12*	12 1/4 x 12 1/4	1	4.9
14 x 14	14 1/4 x 14 1/4	2	6.6
16 x 16*	16 1/4 x 16 1/4	2	8.7
18 x 18*	18 1/4 x 18 1/4	2	11.0
20 x 20	20 1/4 x 20 1/4	2	15.6
24 x 24*	24 1/4 x 24 1/4	4	19.6

\*These sizes are also standard in stainless steel.  
Special sizes and modifications available on request

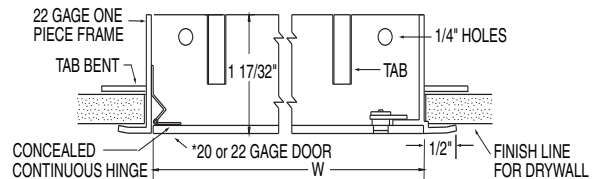
## PF

The Press-Fit door is a unique lightweight door that installs easily by bending the tabs on the return back to grip the drywall. The frame, return and doorstop are one-piece construction with a beveled frame resulting in an attractive finished look.

### Specifications

Access doors shall be type PF

- Trim, return and doorstop shall be one piece construction of 22 gauge steel. On doors 18" x 18" and larger, the door shall be 20 gauge steel. On doors smaller than 18" x 18", the door shall be 22 gauge steel.
- Trim shall be 1/2" wide and beveled.
- Hinge shall be concealed, continuous piano hinge.
- Latches shall be flush and screwdriver operated or cylinder lock with dustshutter.
- Return shall have bendable tabs for easy installation into drywall.
- Finish shall be prime coat of rust inhibitive electrostatic powder, baked grey enamel.



### Standard Sizes

Door Size (H x W)	Wall/Ceiling Opening	# of Stud Latches	Shipping Wt. (lbs.)
8 x 8	7 13/16 x 7 13/16	1	1.5
12 x 12	11 13/16 x 11 13/16	1	2.5
14 x 14	13 13/16 x 13 13/16	1	3.0
18 x 18	17 13/16 x 17 13/16	2	4.6
24 x 24	23 13/16 x 23 13/16	2	7.4

Distributed by  
www.Ameraproducts.com  
Phone: (800) 608-6568  
Fax: (409) 840-5545  
info@ameraproducts.com

# Insulated Exterior Access Door

## MX

Karp engineered its MX Insulated Exterior Access Door to withstand years of exposure to severe outdoor elements. This high-quality, galvanized steel door comes with a stainless steel hinge. The combination of these components with Karp's electrostatic rust-inhibitive powder finish provides two durable protective layers. To further weatherproof the door, Karp arc-welds and grounds smooth the corners of the trim and pan, which with the addition of closed cell neoprene gasket insures a watertight seal between the door and frame. Finally, the door includes Styrofoam insulation specifically designed for exterior uses because of its exceptional resistance to water and water vapor. All of these protective measures guarantee the MX Insulated Exterior Access Door's long term performance even in the most severe moisture environments.

Now Available with an expansion casing bead with galvanized lath providing a neat tight protected finish between frame and plaster, while furnishing added plaster reinforcement. Product Code: MXPL

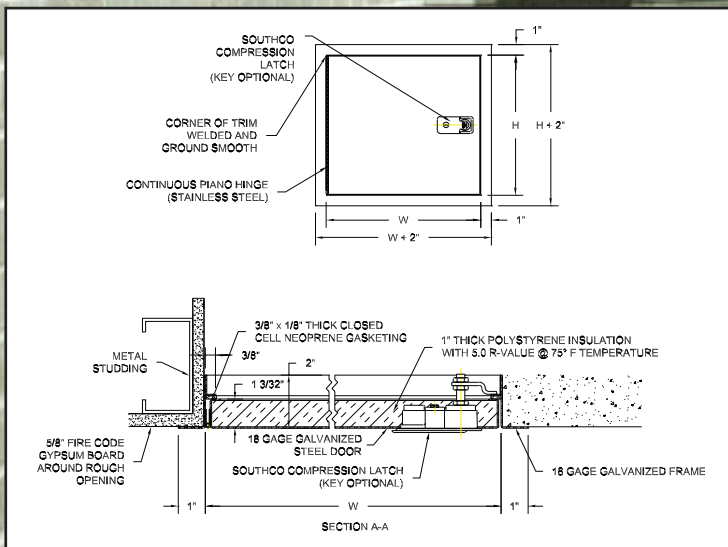
### Specifications

Access Doors shall be type MX

- Frame shall be 18 gage galvanized steel.
- Door shall be 18 gage galvanized steel.
- Door shall be welded, watertight pan.
- Corners of trim shall be welded & ground smooth.
- Gasketing between door and frame 3/8" wide by 1/8" thick closed cell neoprene gasketing.
- Insulation shall be 1" thick polystyrene w/ 5.0 R-value @75 degree F temperature.
- Hinge shall be continuous stainless steel piano hinge.
- Latches shall be a keyed Lift & Turn Compression Latch including cup sealing gasket finished in textured chrome.
- Finish shall be prime coat of rust-inhibitive electrostatic powder, baked grey enamel. Stainless Steel shall have No. 4 satin polish finish.

### Standard Sizes

Door Size (H x W)	Wall / Ceiling Opening	# of Stud Latches	Shipping Wt. (lbs.)
12 x 12	12 <sup>3</sup> / <sub>8</sub> x 12 <sup>3</sup> / <sub>8</sub>	1	6.3
18 x 18	18 <sup>3</sup> / <sub>8</sub> x 18 <sup>3</sup> / <sub>8</sub>	1	10.5
24 x 24	24 <sup>3</sup> / <sub>8</sub> x 24 <sup>3</sup> / <sub>8</sub>	2	16.0



Distributed by  
[www.Ameraproducts.com](http://www.Ameraproducts.com)  
 Phone: (800) 608-6568  
 Fax: (409) 840-5545  
[info@ameraproducts.com](mailto:info@ameraproducts.com)

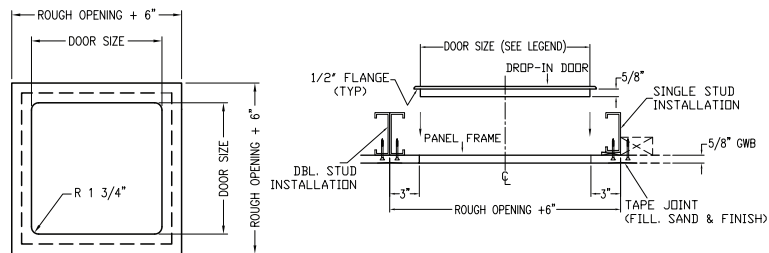
**NEW**

# FG Glass Fiber Reinforced Gypsum Ceiling Access Door



Karp's new FG glass fiber reinforced gypsum access doors blend seamlessly into drywall ceilings, providing unobstructed access and satisfying upscale design installation requirements.

- Perfect for Retail
- A Great Commercial Solution
- Meets Design Needs for Hospitality



*Drop-in Access Panel - Typ. Panel Elevations*

*Drop-in Access Panel - Side View (Single/Double stud installation)*

Door Size Inches	Ceiling Opening Size Inches	Weight Per Door Lbs.
12 x 12	18 x 18	9.0
18 x 18	24 x 24	11
24 x 24	30 x 30	16

Distributed by  
[www.Ameraproducts.com](http://www.Ameraproducts.com)  
 Phone: (800) 608-6568  
 Fax: (409) 840-5545  
[info@ameraproducts.com](mailto:info@ameraproducts.com)

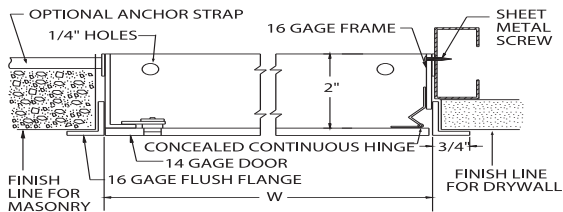
# Universal Access Doors For All Surfaces DSC-214M

The DSC-214M is a distinctly superior door for new installations or for remodeling. The exposed flange adds rigidity to the unit and perfectly conceals the rough wall opening. Flexible anchor straps can be provided for installation within masonry openings.

## Specifications

Access doors shall be type DSC 214M

- Frame shall be 16 gauge steel and door 14 gauge steel.
- Trim shall be 3/4" wide, one piece construction.
- Hinge shall be concealed continuous piano hinge.
- Latches shall be flush and screwdriver operated or cylinder lock with dust shutter.
- Masonry anchor straps can be included on all frames if specified.
- Finish shall be prime coat of rust inhibitive electrostatic powder, baked grey enamel. Stainless steel shall have No. 4 satin polish finish.



## Standard Sizes

Door Size (HxW)	Wall/Ceiling Opening	# of Latches	Shipping Wt. (lbs.)
6 x 6	6 <sup>3</sup> / <sub>8</sub> x 6 <sup>3</sup> / <sub>8</sub>	1	2.1
8 x 8*	8 <sup>3</sup> / <sub>8</sub> x 8 <sup>3</sup> / <sub>8</sub>	1	3.1
10 x 10*	10 <sup>3</sup> / <sub>8</sub> x 10 <sup>3</sup> / <sub>8</sub>	1	4.3
12 x 8	12 <sup>3</sup> / <sub>8</sub> x 8 <sup>3</sup> / <sub>8</sub>	1	4.6
12 x 12*	12 <sup>3</sup> / <sub>8</sub> x 12 <sup>3</sup> / <sub>8</sub>	1	6.3
14 x 14	14 <sup>3</sup> / <sub>8</sub> x 14 <sup>3</sup> / <sub>8</sub>	2	8.1
16 x 12	16 <sup>3</sup> / <sub>8</sub> x 12 <sup>3</sup> / <sub>8</sub>	2	7.8
16 x 16*	16 <sup>3</sup> / <sub>8</sub> x 16 <sup>3</sup> / <sub>8</sub>	2	9.9
18 x 12	18 <sup>3</sup> / <sub>8</sub> x 12 <sup>3</sup> / <sub>8</sub>	2	8.9
18 x 18*	18 <sup>3</sup> / <sub>8</sub> x 18 <sup>3</sup> / <sub>8</sub>	2	12.2
20 x 16	20 <sup>3</sup> / <sub>8</sub> x 16 <sup>3</sup> / <sub>8</sub>	2	11.8
22 x 22	22 <sup>3</sup> / <sub>8</sub> x 22 <sup>3</sup> / <sub>8</sub>	4	16.3
24 x 12	24 <sup>3</sup> / <sub>8</sub> x 12 <sup>3</sup> / <sub>8</sub>	2	10.6
24 x 18	24 <sup>3</sup> / <sub>8</sub> x 18 <sup>3</sup> / <sub>8</sub>	2	14.5
24 x 20	24 <sup>3</sup> / <sub>8</sub> x 20 <sup>3</sup> / <sub>8</sub>	2	16.5
24 x 24*	24 <sup>3</sup> / <sub>8</sub> x 24 <sup>3</sup> / <sub>8</sub>	5	18.7
30 x 20	30 <sup>3</sup> / <sub>8</sub> x 20 <sup>3</sup> / <sub>8</sub>	5	20.1
30 x 22	30 <sup>3</sup> / <sub>8</sub> x 22 <sup>3</sup> / <sub>8</sub>	5	21.7
30 x 24	30 <sup>3</sup> / <sub>8</sub> x 24 <sup>3</sup> / <sub>8</sub>	5	23.6
30 x 30	30 <sup>3</sup> / <sub>8</sub> x 30 <sup>3</sup> / <sub>8</sub>	5	27.8
36 x 22	36 <sup>3</sup> / <sub>8</sub> x 22 <sup>3</sup> / <sub>8</sub>	5	25.6
36 x 24	36 <sup>3</sup> / <sub>8</sub> x 24 <sup>3</sup> / <sub>8</sub>	5	28.2
36 x 36	36 <sup>3</sup> / <sub>8</sub> x 36 <sup>3</sup> / <sub>8</sub>	5	36.8
48 x 24	48 <sup>3</sup> / <sub>8</sub> x 24 <sup>3</sup> / <sub>8</sub>	6	34.4

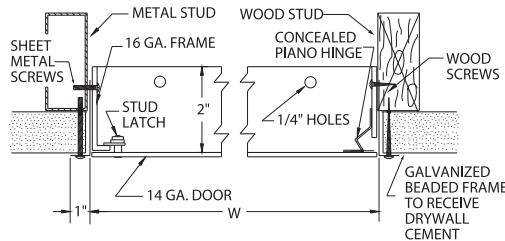
# Access Doors For Drywall Installations KDW

The KDW has a textured frame and bead so drywall joint compound can be applied in sufficient thickness to conceal the flange. Prepunched holes in the flange facilitate fastening the flange to framing members with drywall screws.

## Specifications

Access Doors shall be type KDW

- Frame shall be 16 gauge steel and door shall be 14 gauge steel.
- Trim shall be galvanized drywall bead.
- Hinge shall be concealed continuous piano hinge.
- Latches shall be flush and screwdriver operated or cylinder lock with dust shutter.
- Finish shall be prime coat of rust inhibitive electrostatic powder, baked grey enamel.



## Standard Sizes

Door Size (H x W)	Wall/Ceiling Opening	# of Stud Latches	Shipping Wt. (lbs.)
6 x 6	6 <sup>3</sup> / <sub>8</sub> x 6 <sup>3</sup> / <sub>8</sub>	1	1.8
8 x 8	8 <sup>3</sup> / <sub>8</sub> x 8 <sup>3</sup> / <sub>8</sub>	1	2.4
10 x 10	10 <sup>3</sup> / <sub>8</sub> x 10 <sup>3</sup> / <sub>8</sub>	1	3.3
12 x 12	12 <sup>3</sup> / <sub>8</sub> x 12 <sup>3</sup> / <sub>8</sub>	1	5.8
14 x 14	14 <sup>3</sup> / <sub>8</sub> x 14 <sup>3</sup> / <sub>8</sub>	2	6.5
16 x 16	16 <sup>3</sup> / <sub>8</sub> x 16 <sup>3</sup> / <sub>8</sub>	2	8.8
18 x 18	18 <sup>3</sup> / <sub>8</sub> x 18 <sup>3</sup> / <sub>8</sub>	2	11.1
22 x 22	22 <sup>3</sup> / <sub>8</sub> x 22 <sup>3</sup> / <sub>8</sub>	4	15.3
24 x 24	24 <sup>3</sup> / <sub>8</sub> x 24 <sup>3</sup> / <sub>8</sub>	5	17.2
36 x 24	36 <sup>3</sup> / <sub>8</sub> x 24 <sup>3</sup> / <sub>8</sub>	5	25.9

Special sizes and modifications available on request.

Distributed by  
**www.Ameraproducts.com**  
Phone: (800) 608-6568  
Fax: (409) 840-5545  
info@ameraproducts.com



# Access Doors For Drywall

Distributed by  
**www.AmeraProducts.com**  
 Phone: (800) 608-6568  
 Fax: (409) 840-5545  
 info@ameraproducts.com

## RDW

The face of the door on the RDW is recessed to receive a panel of drywall to provide a dry wall finish on the door to match the texture of surrounding drywall. The door frame includes a drywall bead so that drywall cement can be applied to conceal the flange.

### Specifications

Access Doors shall be type RDW

- Frame shall be 14 gauge steel.
- Door shall be 16 gauge steel, recessed 1".
- Trim shall be galvanized steel drywall bead.
- Hinge shall be concealed pivoting rod type.
- Locks shall be flush, screwdriver operated with stainless steel cam and stud or cylinder lock with dust shutter.
- Finish shall be prime coat of rust inhibitive electrostatic powder, baked grey enamel.

## RDWPD

The face of the door on the RDWPD contains a factory installed 1/2" drywall to match the texture of the surrounding drywall. The door frame shall include a drywall bead so that drywall cement can be applied to conceal the flange. The RDWPD is the perfect solution when concealing the access door is required for aesthetic purposes. The RDWPD also reduces installation time and costs.

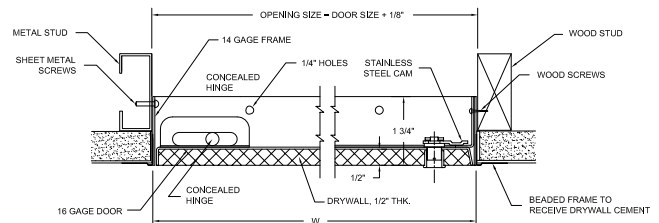
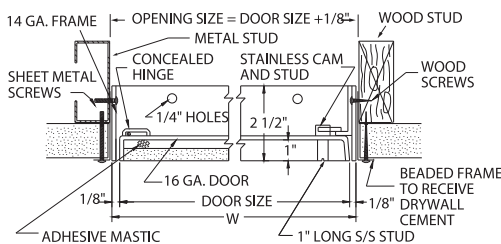
### Specifications

Access Doors shall be type RDWPD

- Frame shall be 14 gauge steel.
- Door shall be 16 gauge steel, recessed 1/2" with 1/2" factory installed drywall.
- Trim shall be galvanized steel drywall bead.
- Hinge shall be concealed pivoting rod type.
- Locks shall be flush, screwdriver operated with stainless steel cam and stud or cylinder lock with dust shutter.
- Finish shall be prime coat of rust inhibitive electrostatic powder, baked grey enamel.



Concealed pivoting rod hinge



### Standard Sizes

Door Size (H x W)	Wall /Ceiling Opening	# of Stud Latches	Shipping Wt. (lbs.)
12 x 12	12 1/8 x 12 1/8	1	7.4
18 x 18	18 1/8 x 18 1/8	2	12.8
24 x 12	24 1/8 x 12 1/8	2	12.5
24 x 24	24 1/8 x 24 1/8	2	19.4
36 x 24	36 1/8 x 24 1/8	2	29.0

### Standard Sizes

Door Size (H x W)	Wall /Ceiling Opening	# of Stud Latches	Shipping Wt. (lbs.)
12 x 12	12 1/8 x 12 1/8	1	8.0
18 x 18	18 1/8 x 18 1/8	2	15.0
24 x 12	24 1/8 x 12 1/8	2	14.5
24 x 24	24 1/8 x 24 1/8	2	24.5
36 x 24	36 1/8 x 24 1/8	2	36.5

# Insulated Fire Rated Access Doors for Walls & Ceilings

## KRP-150FR



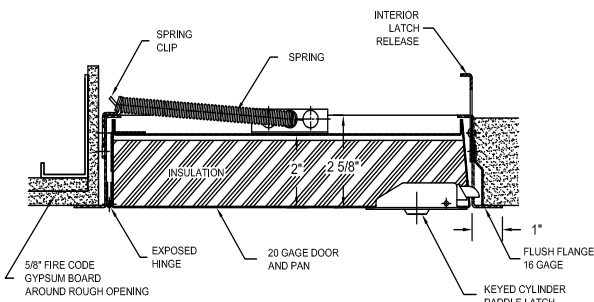
The KRP-150FR is insulated and rated by Underwriters Laboratories for 1.5 hour "B" label in walls, and may be used in a 2 hour fire rated wall assembly. Additionally, Warnock Hersey rates the KRP-150FR for 3 hours in ceilings.

### Specifications

- Access doors shall be type KRP 150FR
- Frame and trim shall be 16 gauge steel, trim 1" wide.
- Door shall be 20 gauge steel, welded pan type filled with 2" thick fire rated insulation and shall open to 175°, be self latching with automatic closer and interior latch release.
- Hinge shall be continuous piano hinge.
- Latches shall be spring loaded sliding bolt type keyed paddle latch, all keyed alike. Door can be prepared for a Rim Cylinder lock.
- Finish shall be prime coat of rust inhibitive electrostatic powder, baked grey enamel. Stainless steel shall have No. 4 satin polish finish.



**New Paddle Latch for Added Security!**



\* These sizes also standard in stainless steel.  
Special sizes and modifications available on request.  
\*\* Not for ceiling application.

## KRP-350FR

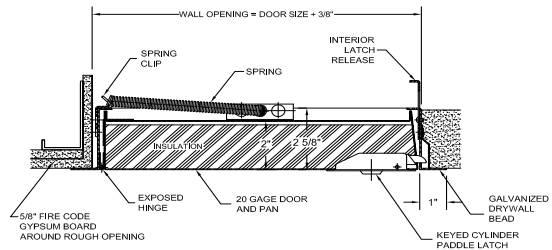


The KRP-350FR is insulated and rated by Underwriters Laboratories for 1.5 hour "B" label in walls, and may be used in a 2 hour fire rated wall assembly. Additionally, Warnock Hersey rates the KRP-350FR for 3 hours in ceilings.

The KRP-350FR has a textured frame and bead so drywall joint compound can be applied in sufficient thickness to conceal the flange.

### Specifications

- Access doors shall be type KRP 350FR
- Frame shall be 16 gauge steel, surrounded by galvanized drywall bead.
- Door shall be 20 gauge steel, welded pan type filled with 2" thick fire rated insulation and shall open to 175°, be self latching with automatic closer and interior latch release.
- Hinge shall be continuous piano hinge.
- Latches shall be spring loaded sliding bolt type keyed paddle latch, all keyed alike. Door can be prepared for a Rim Cylinder lock.
- Finish shall be prime coat of rust inhibitive electrostatic powder, baked grey enamel. Stainless steel shall have No. 4 satin polish finish.



### Standard Sizes

Door Size (H x W)	Wall Opening	# of Latches	Shipping Wt. (lbs.) KRP-150	Shipping Wt. (lbs.) KRP-350
8 x 8	8 3/8 x 8 3/8	1	6.3	6.1
12 x 12*	12 3/8 x 12 3/8	1	9.7	9.3
14 x 14	14 3/8 x 14 3/8	1	12.7	12.2
16 x 16*	16 3/8 x 16 3/8	1	14.1	13.6
18 x 18*	18 3/8 x 18 3/8	1	18.9	18.2
24 x 12	24 3/8 x 12 3/8	1	15.5	14.9
22 x 22	22 3/8 x 22 3/8	1	24.0	23.5
24 x 24*	24 3/8 x 24 3/8	1	26.7	25.7
30 x 22	30 3/8 x 22 3/8	1	27.8	26.8
30 x 24	30 3/8 x 24 3/8	1	32.2	31.0
30 x 30**	30 3/8 x 30 3/8	1	37.7	36.3
32 x 32**	32 3/8 x 32 3/8	1	41.3	39.8
36 x 22	36 3/8 x 22 3/8	2	34.4	33.1
36 x 24*	36 3/8 x 24 3/8	2	40.2	38.7
36 x 36**	36 3/8 x 36 3/8	2	52.0	50.1
48 x 24**	48 3/8 x 24 3/8	2	48.9	47.1
48 x 36**	48 3/8 x 36 3/8	2	62.0	59.7
48 x 48**	48 3/8 x 48 3/8	2	89.0	85.7

The largest size available for ceiling installation is 36" x 24"

Distributed by  
**www.Ameraproducts.com**  
 Phone: (800) 608-6568  
 Fax: (409) 840-5545  
 info@ameraproducts.com

# Non-Insulated Fire Rated Access Doors for Walls Only

## KRP-250FR

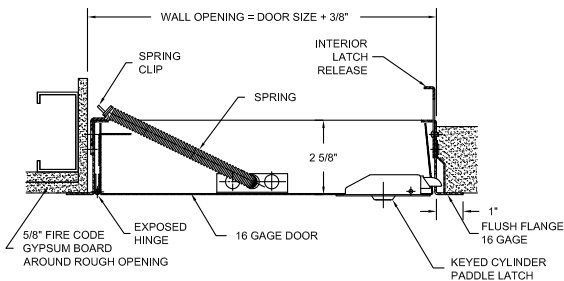


The KRP-250 is non-insulated and rated by Underwriters Laboratories for 1.5 hour "B" label in walls, and may be used in a 2 hour fire rated wall assembly.

### Specifications

Access doors shall be type KRP 250FR

- Frame and trim shall be 16 gauge steel with corners welded and ground smooth; trim 1" wide.
- Door shall be 16 gauge steel and open to 175°, be self latching with automatic closer and interior latch release.
- Hinge shall be continuous piano hinge.
- Latches shall be spring loaded sliding bolt type keyed paddle latch, all keyed alike. Door can be prepared for a Rim Cylinder lock.
- Finish shall be prime coat of rust inhibitive electrostatic powder, baked grey enamel. Stainless steel shall have No. 4 satin polish finish.



## KRP-450FR



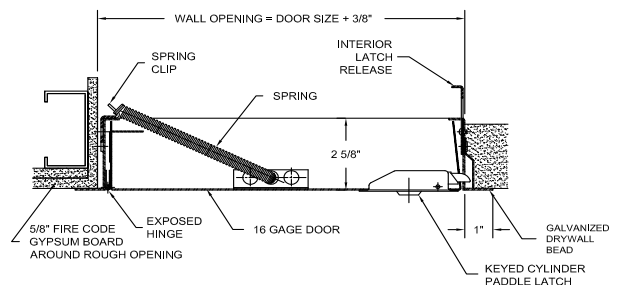
The KRP-450 is non-insulated and rated by Underwriters Laboratories for 1.5 hour "B" label in walls, and may be used in a 2 hour fire rated wall assembly.

The KRP-450FR has a textured frame and bead so drywall joint compound can be applied in sufficient thickness to conceal the flange.

### Specifications

Access doors shall be type KRP 450FR

- Frame shall be 16 gauge steel, surrounded by galvanized drywall bead.
- Door shall be 16 gauge steel and open to 175°, be self latching with automatic closer and interior latch release.
- Hinge shall be continuous piano hinge.
- Latches shall be spring loaded sliding bolt type keyed paddle latch, all keyed alike. Door can be prepared for a Rim Cylinder lock.
- Finish shall be prime coat of rust inhibitive electrostatic powder, baked grey enamel. Stainless steel shall have No. 4 satin polish finish.



### Standard Sizes

Door Size (H x W)	Wall Opening	# of Latches	Shippin Wt. (lbs.) KRP-250	Shipping Wt. (lbs.) KRP-450
8 x 8*	83/8 x 83/8	1	5.1	4.3
12 x 12*	123/8 x 123/8	1	8.5	7.2
14 x 14	143/8 x 143/8	1	9.8	8.3
16 x 16	163/8 x 163/8	1	11.7	9.9
18 x 18*	183/8 x 183/8	1	13.8	11.7
24 x 24*	243/8 x 243/8	1	20.5	17.4
30 x 22	303/8 x 223/8	1	22.6	19.1
30 x 30	303/8 x 303/8	1	28.2	23.9
36 x 24	363/8 x 243/8	2	28.5	24.1
36 x 36	363/8 x 363/8	2	39.6	33.5

\* These sizes also standard in stainless steel.  
Special sizes and modifications available on request.

Distributed by  
**www.Ameraproducts.com**  
 Phone: (800) 608-6568  
 Fax: (409) 840-5545  
 info@ameraproducts.com

# Recessed Access Doors For Drywall or Tile Ceilings

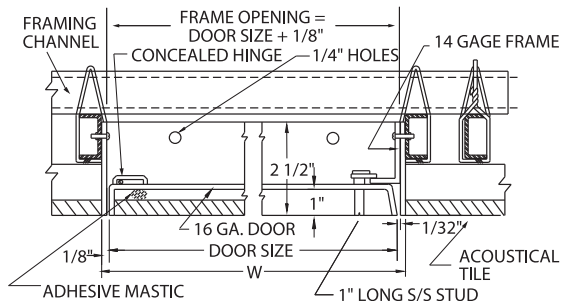
## DSC-210

The DSC-210 is designed so that all makes and types of tile thickness up to 1" fit snugly into the recess of the panel. The unique concealed pivoting bar hinge operates completely out of sight so only the metal thickness of the door and frame is visible.

### Specifications

Access doors shall be type DSC 210

- Frames shall be 14 gauge steel.
- Door shall be 16 gauge steel, recessed 1".
- Hinge shall be concealed pivoting rod type.
- Locks shall be flush to finished surface and shall be screwdriver operated with stainless steel cam and stud or cylinder lock with automatic dust shutter.
- Finish shall be prime coat of rust inhibitive electrostatic powder, baked grey enamel.



### Standard Sizes

Door Size (HxW)	Wall/Ceiling Opening	# of Stud Latches	Shipping Wt. (lbs.)
12 x 12	12 <sup>1</sup> / <sub>8</sub> x 12 <sup>1</sup> / <sub>8</sub>	1	6.7
18 x 18	18 <sup>1</sup> / <sub>8</sub> x 18 <sup>1</sup> / <sub>8</sub>	2	12.4
24 x 12	24 <sup>1</sup> / <sub>8</sub> x 12 <sup>1</sup> / <sub>8</sub>	2	10.6
24 x 24	24 <sup>1</sup> / <sub>8</sub> x 24 <sup>1</sup> / <sub>8</sub>	2	19.2
36 x 24	36 <sup>1</sup> / <sub>8</sub> x 24 <sup>1</sup> / <sub>8</sub>	2	32.0

## KATR

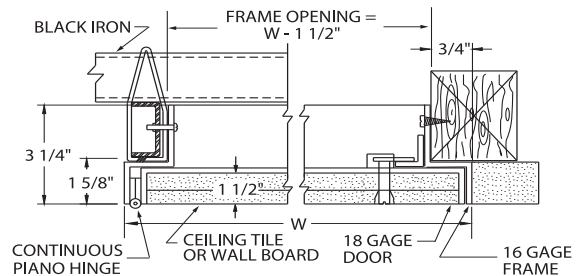
The KATR is designed to provide access in a suspended drywall ceiling that is part of a fire rated floor-ceiling assembly. The combination of steel and double thickness of drywall maintains the fire resistive qualities of the floor-ceiling assembly.

### Specifications

Access doors shall be type KATR

- Frame shall be 16 gauge steel.
- Door shall be 18 gauge steel, recessed 1 1/2" to accommodate double thickness of drywall.
- Hinge shall be exposed continuous piano hinge.
- Locks shall be flush, screwdriver operated with stainless steel cam and stud or cylinder lock with dust shutter.
- Finish shall be prime coat of rust inhibitive electrostatic powder, baked grey enamel.

**The KATR does not have any fire rated certification.**



### Standard Sizes

Door Size (HxW)	Wall/Ceiling Opening	# of Stud Latches	Shipping Wt. (lbs.)
12 x 12	10 <sup>1</sup> / <sub>2</sub> x 10 <sup>1</sup> / <sub>2</sub>	1	6.7
18 x 18	16 <sup>1</sup> / <sub>2</sub> x 16 <sup>1</sup> / <sub>2</sub>	2	11.6
24 x 24	22 <sup>1</sup> / <sub>2</sub> x 22 <sup>1</sup> / <sub>2</sub>	2	18.1
30 x 22	28 <sup>1</sup> / <sub>2</sub> x 20 <sup>1</sup> / <sub>2</sub>	2	19.5

Special sizes and modifications available on request.

Distributed by  
[www.Ameraproducts.com](http://www.Ameraproducts.com)  
 Phone: (800) 608-6568  
 Fax: (409) 840-5545  
[info@ameraproducts.com](mailto:info@ameraproducts.com)

# Access Doors For Plaster Installations

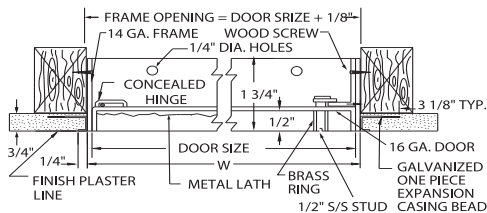
## DSC-210PL

The DSC-210PL is recessed 1/2" and lined with self-furring metal lath allowing plaster of surrounding surfaces to continue without interruption over face of door.

### Specifications

Access doors shall be type DSC 210PL

- Frame is 14 gauge steel and surrounded by 22 gauge expansion casing bead with metal lath.
- Door is 16 gauge steel, recessed 1/2" and lined with self furring 3.4 flat rib galvanized steel lath.
- Hinge shall be concealed pivoting rod type.
- Locks shall be flush to finished surface and shall be screwdriver operated with stainless steel cam and stud or cylinder lock with dust shutter.
- Brass sleeves shall be welded to door to protect plaster around stainless steel cam and stud.
- Finish shall be prime coat of rust inhibitive electrostatic powder, baked grey enamel.



Door Size (HxW)	Wall/Ceiling Opening	# of Stud Latches	Shipping Wt. (lbs.)
12 x 12	12 1/8 x 12 1/8	1	6.7
18 x 18	18 1/8 x 18 1/8	2	12.4
24 x 12	24 1/8 x 12 1/8	2	10.6
24 x 24	24 1/8 x 24 1/8	2	19.2
36 x 24	36 1/8 x 24 1/8	2	32.0

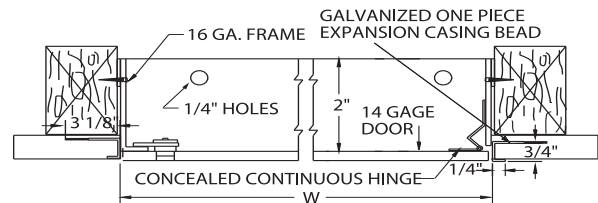
## DSC-214PL

The DSC-214PL has an expansion casing bead with galvanized lath providing a neat, tight protected finish between frame and plaster, while furnishing added plaster reinforcement.

### Specifications

Access doors shall be type DSC 214PL

- Door is 14 gauge steel.
- Frame is 16 gauge steel and surrounded by 22 gauge expansion casing bead with metal lath.
- Hinge shall be concealed continuous piano hinge.
- Latches shall be flush and screwdriver operated, or shall be key operated cylinder lock with automatic dust shutter.
- Finish is prime coat of rust inhibitive electrostatic powder, baked grey enamel.



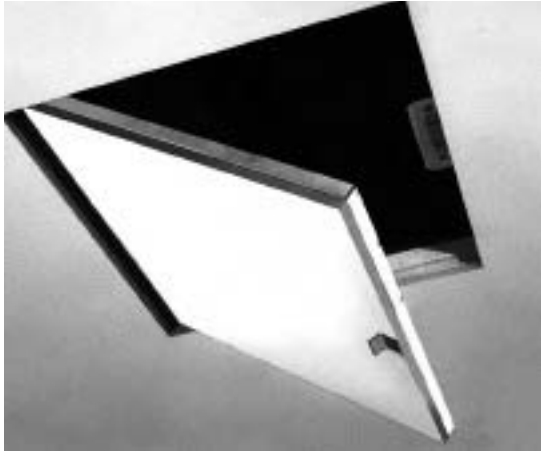
### Standard Sizes

Door Size (HxW)	Wall/Ceiling Opening	# of Stud Latches	Shipping Wt. (lbs.)
8 x 8	8 3/8 x 8 3/8	1	3.5
10 x 10	10 3/8 x 10 3/8	1	4.5
12 x 12	12 3/8 x 12 3/8	1	6.0
14 x 14	14 3/8 x 14 3/8	2	8.5
16 x 16	16 3/8 x 16 3/8	2	11.0
18 x 12	18 3/8 x 12 3/8	2	10.0
18 x 18	18 3/8 x 18 3/8	2	13.0
20 x 16	20 3/8 x 16 3/8	2	14.0
24 x 12	24 3/8 x 12 3/8	2	12.0
24 x 20	24 3/8 x 20 3/8	2	17.0
24 x 24	24 3/8 x 24 3/8	5	20.0
30 x 20	30 3/8 x 20 3/8	5	21.0
30 x 24	30 3/8 x 24 3/8	5	23.5
30 x 30	30 3/8 x 30 3/8	5	30.0
36 x 24	36 3/8 x 24 3/8	5	28.0
36 x 36	36 3/8 x 36 3/8	5	39.0

Special sizes and modifications available on Request.

Distributed by  
[www.Ameraproducts.com](http://www.Ameraproducts.com)  
 Phone: (800) 608-6568  
 Fax: (409) 840-5545  
[info@ameraproducts.com](mailto:info@ameraproducts.com)

# Specialty Items



**KSTDW**

## Sesame Access Doors

The KSTDW is designed for complete concealment in drywall ceilings. The KSTC & KSTE are designed for use with concealed and exposed grid systems, respectively. Panel opens up to receive tile. Door panel on the sesame doors will open to a check position for safety and then release for a 90° opening and is removable.

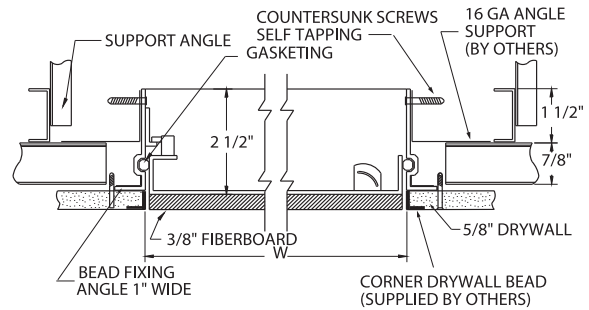
### Specifications

Access doors shall be type **KSTDW, KSTC** or **KSTE**.

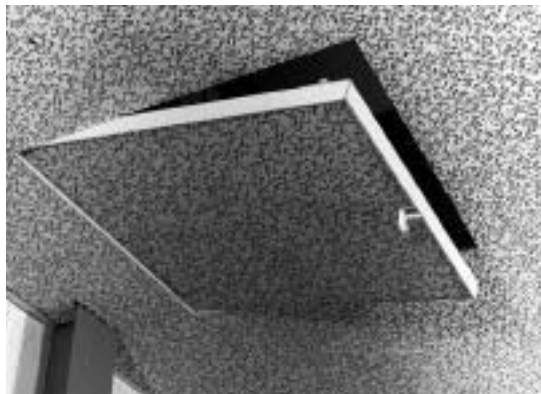
- Frame shall be 20 gauge galvanized steel.
- KSTDW: Door shall be 20 gauge galvanized steel and lined with  $\frac{3}{8}$ " mineral fiberboard.
- KSTC & KSTE: Door shall be 20 gauge galvanized steel.
- Gasketing shall be flame retardant polyurethane.
- Locks shall have plastic grommets and be square head key wrench operated.
- Hinge shall be concealed pivot with a controlled action device (CAD) on KSTDW model only, except for size 12" x 12".



**KSTE**



**KSTDW**



**KSTC**

<b>KSTDW</b>		<b>KSTE &amp; KSTC</b>	
<b>Standard Sizes</b>		<b>Standard Sizes</b>	
Door Size* (H x W)	Shipping Wt. (lbs.)	Door Size* (H x W)	Shipping Wt. (lbs.)
12 x 12	8.2	24 x 24	17.6
18 x 18	17.6	48 x 24	32.6
24 x 24	28.8		
36 x 24	44.4		
48 x 24	51.1		

\* Sizes are nominal for models KSTC and KSTE.  
Special sizes and modifications available on request.

**Note:** Please call Karp's Customer Service Department for framing information and installation instructions.

Distributed by  
[www.Ameraproducts.com](http://www.Ameraproducts.com)  
 Phone: (800) 608-6568  
 Fax: (409) 840-5545  
[info@ameraproducts.com](mailto:info@ameraproducts.com)

# Security Access Doors

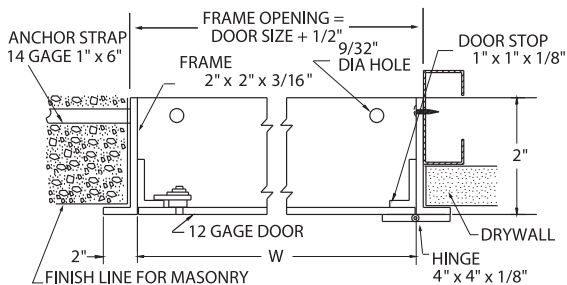
## DSB-123SD-MS

The DSB-123SD-MS is ideal for medium security situations such as housing projects, hospitals, or in those instances where a more secure access door is required.

### Specifications

Access doors shall be type DSB 123SD MS

- Frame shall be 3/16" x 2" x 2" angle welded with joints ground smooth. Masonry anchor straps and 1/4" mounting holes are included on all frames.
- Trim shall be 2" wide.
- Door shall be 12 gauge steel.
- Hinges shall be heavy duty and welded to door and frame.
- Locks shall be flush spanner head (tamperproof), flush to finished surface of door.
- Finish shall be prime coat of rust inhibitive electrostatic powder, baked grey enamel.



### Standard Sizes

Door Size (H x W)	Wall / Ceiling Opening	Shipping Wt. (lbs.)
12 x 12	12½ x 12½	24.0
16 x 16	16½ x 16½	32.0
18 x 18	18½ x 18½	36.0
24 x 24	24½ x 24½	52.0
36 x 24	36½ x 24½	68.0
36 x 36	36½ x 36½	95.0

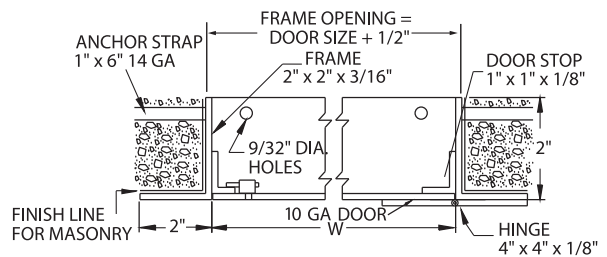
## DSB-123SD

The DSB-123SD enables architects and institutions to bring maximum security to areas where access is required for repair or maintenance purposes.

### Specifications

Access doors shall be type DSB 123SD

- Frame shall be 3/16" x 2" x 2" angle welded with joints ground smooth. Masonry anchor straps and 1/4" mounting holes are included on all frames.
- Door shall be 10 gauge steel plate.
- Hinges shall be heavy duty and welded to door and frame.
- Locks shall be heavy duty detention type lock. Additional locking devices shall be flush spanner head cam latches.
- Finish shall be prime coat of rust inhibitive electrostatic powder, baked grey enamel.



### Standard Sizes

Door Size (H x W)	Wall/Ceiling Opening	Shipping Wt. (lbs.)
12 x 12	12½ x 12½	35.0
16 x 16	16½ x 16½	44.0
18 x 18	18½ x 18½	49.0
24 x 24	24½ x 24½	65.0
36 x 24	36½ x 24½	80.0
36 x 36	36½ x 36½	115.0

Special sizes and modifications available on request.

Distributed by  
**www.Ameraproducts.com**  
 Phone: (800) 608-6568  
 Fax: (409) 840-5545  
 info@ameraproducts.com

# Specialty Items

## Duct Doors

Duct doors can be furnished with hinges and cam latch (KHD), or removable with double cam latches (KCD). Frames are easily attached to duct with notched knockover tabs.

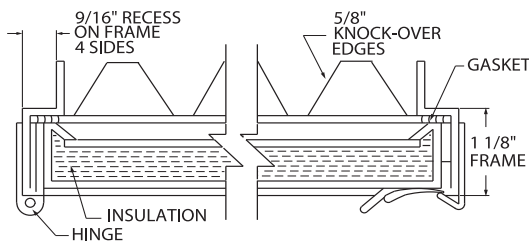
### Specifications

- Access doors shall be type KCD or KHD
- On sizes 12 x 12 and smaller, door shall be 24 gauge galvanized steel. On sizes 14 x 14 and larger, door shall be 22 gauge galvanized steel.
- Frames shall be 22 gauge galvanized steel.
- Hinge shall be aluminum, continuous piano. Or, omit hinge and supply with double cam latches.
- Door shall be filled with 2" thick fiberglass insulation compressed into 1". R factor = 7.7
- Gasketing between door and frame shall be 1/2" thick by 1/8" wide closed cell neoprene gasketing.
- Cam latches shall be zinc plated steel, self tightening and hand operated.
- Back of frame shall have 5/8" notched knock over edges.



### Standard Sizes

Door Size (H x W)	Actual Door Measurements	Duct Opening	Cams		Shipping Wt. (lbs.)
			KHD	KCD	
6 x 6	5 1/2 x 5 1/2	4 3/4 x 4 3/4	1	2	1.1
8 x 8	7 1/2 x 7 1/2	6 3/4 x 6 3/4	1	2	1.8
10 x 10	9 1/2 x 9 1/2	8 3/4 x 8 3/4	1	2	2.4
12 x 12	11 1/2 x 11 1/2	10 3/4 x 10 3/4	1	2	3.2
14 x 14	13 1/2 x 13 1/2	12 3/4 x 12 3/4	2	4	4.9
16 x 16	15 1/2 x 15 1/2	14 3/4 x 14 3/4	2	4	5.5
18 x 18	17 1/2 x 17 1/2	16 3/4 x 16 3/4	2	4	6.6
24 x 24	23 1/2 x 23 1/2	22 3/4 x 22 3/4	2	4	11.0

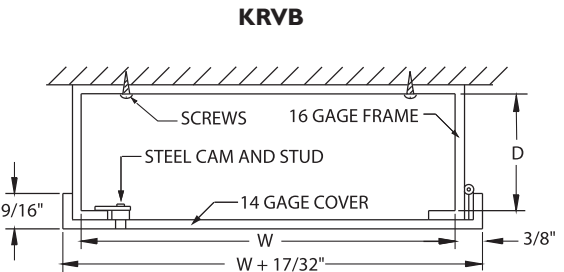
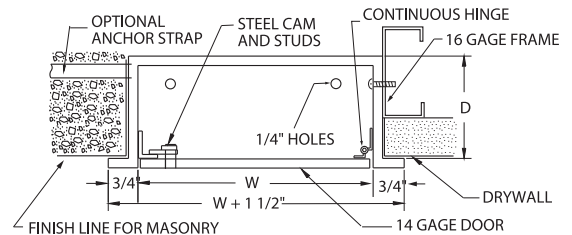


## Valve Boxes

Valve boxes can have louvers, peepholes, or glass panels. Boxes can be drilled or punched for pipes or conduits of all sizes.

### Specifications

- Access doors shall be type KSMB or KRVB
- Box shall be 16 gauge steel. Door is 14 gauge steel.
- Holes 1/4" diameter shall be provided for anchoring to wall.
- Trim shall be 3/4" arc welded and ground smooth.
- KRVB: Hinge shall be concealed continuous piano hinge. KSMB: Hinge shall be exposed continuous piano hinge.
- Locks shall be flush screwdriver operated with stainless steel cam and stud or cylinder lock with dust shutter.
- Finish shall be prime coat of rust inhibitive electrostatic powder, baked grey enamel.
- KSMB and KRVB are only manufactured to custom specifications.



Special sizes and modifications available on request.



# Floor Access Doors

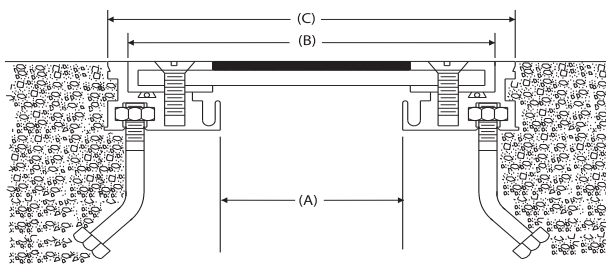
## KAFA

The KAFA is available in a variety of panels — recessed 1/8" for resilient tile, smooth, or embossed diamond pattern. Frames are easy to install and are sealed with a rubber cork strip.

### Specifications

Access doors shall be type KAFA

- Panels shall be 1/4" 6061 T5 aluminum with the following options: recessed 1/8", flush smooth plate or flush diamond plate.
- Frame shall be 6063 T5 extruded aluminum with die cast corner connectors and shall be installed with rubber cork strip seal.
- Panel shall be secured with 10 24 x 3/4" stainless steel FHMS screws.

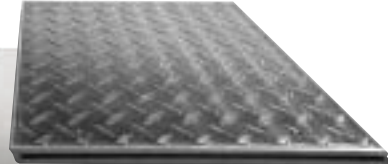


### Standard Sizes

(A) Door Opening	(B) Panel Size	(C) Frame Size	Shipping Wt (lbs.)
12 x 12	13 1/2 x 13 1/2	14 x 14	11.0
18 x 18	19 1/2 x 19 1/2	20 x 20	19.0
24 x 24	25 1/2 x 25 1/2	26 x 26	29.0
30 x 30	31 1/2 x 31 1/2	32 x 32	53.0
36 x 36	37 1/2 x 13 1/2	38 x 38	75.0

Special sizes and modifications available on request.

Kafa Flush Diamond Plate



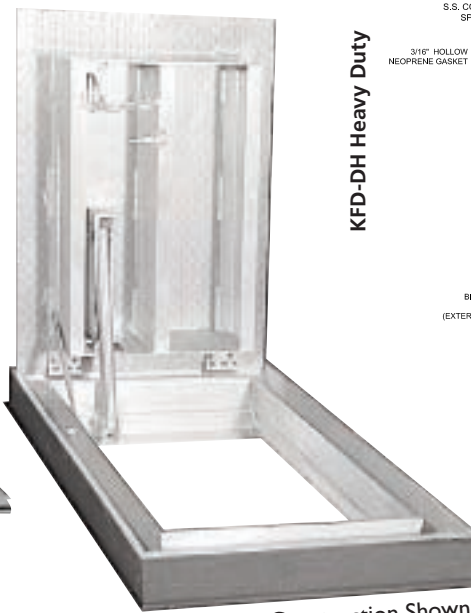
Kafa Flush Smooth Aluminum



Recessed 1/8" Smooth Aluminum



6063-T5 Extruded Aluminum Frame



Watertight Construction Shown

Non Watertight Floor Doors Are Also Available

## KFD

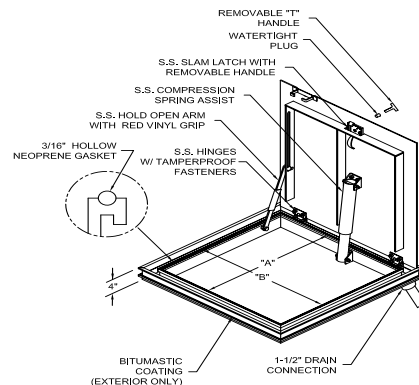
The KFD provides sturdy access in any concrete application. The KFD-SD is standard duty (300#/sq. ft.) and the KFD-HD is heavy duty (H20 loading). When required, door can be made watertight, spring assisted and equipped with a stainless steel snap lock.

### Specifications

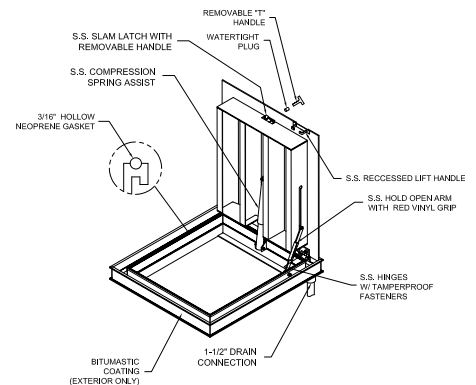
Access doors shall be type KFD SD (300#/sq. ft.) or KFD HD (H20 loading without impact).

- Frame shall be aluminum extrusion with integral anchorflanges (watertight frame includes drain channel and neoprene gasket).
- Hinges and all hardware shall be stainless steel.
- Door leaf shall be diamond tread plate to withstand a live load of 300 lbs./sq. ft. or H20 loading without impact. Operation shall be assisted with stainless steel compression springs (optional). A hold open arm shall automatically lock the door in a 90° position.
- Door can be equipped with a staple, staple and hasp, recessed hasp, stainless steel snap, brass pentahead or keyed cylinder lock.
- Finish shall be a mill finish, with bituminous coating applied to the exterior of frame.

View of KFD-SD Water Tight Door



KFD-DH Heavy Duty



### Standard Sizes

Frame Opening (AxB)	Shipping Wt. KFD-SD	KFD-HD
24 x 24	50.0	71.0
30 x 24	56.0	81.0
30 x 30	63.0	93.0
36 x 24	62.0	91.0
36 x 30	70.0	105.0
36 x 36	78.0	118.0
48 x 36	97.0	147.0
48 x 48	118.0	181.0
72 x 48	158.0	248.0

Distributed by  
www.Ameraproducts.com  
Phone: (800) 608-6568  
Fax: (409) 840-5545  
info@ameraproducts.com

# Roof Hatches

**IMPROVED**

Karp roof hatches are standard in aluminum (KRHA) and galvanized (KRHG). The hatch cover opens easily and remains open safely during use. The clear hatch opening is unobstructed.

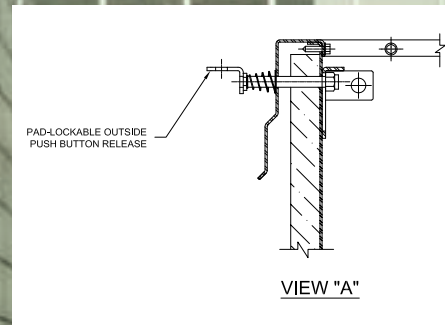
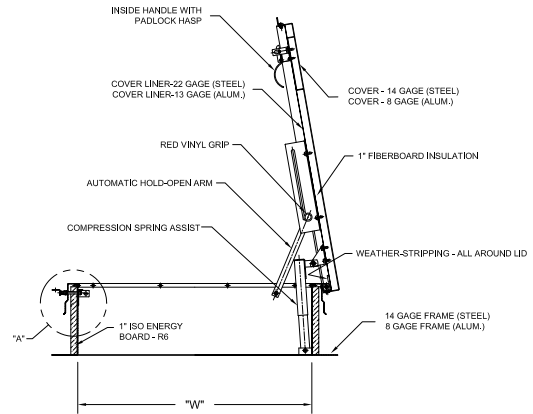
## Specifications

Access doors shall be type KRHG or KRHA.

- Curb is 12" high, 14 gauge galv. steel or .125 aluminum, integral counterflashing, 3 1/2" wide mounting flange and 1" exterior fiberboard insulation with corner guards.
- Cover is 14 gauge galvanized steel or .125 aluminum with 22 gauge galvanized liner.
- Cover shall be assisted by enclosed compression springs.
- Cover shall be mounted on steel butt hinges with brass pin and be complete with closed cell rubber weather seal, automatic hold open arm with red vinyl grip, and latching devices having inside and outside handles and padlock hasp.
- All hardware shall be zinc or cadmium plated.
- Finish shall be prime painted with rust inhibiting primer.

## Standard Sizes

Door Size (H x W)	Shipping Wt. (lbs.)	
	KRHG	KRHA
2' 0" x 3'	135.0	70.0
2' 6" x 3'	155.0	85.0
2' 6" x 4' 6"	225.0	135.0
2' 6" x 8'	335.0	245.0



Distributed by  
[www.Ameraproducts.com](http://www.Ameraproducts.com)  
 Phone: (800) 608-6568  
 Fax: (409) 840-5545  
[info@ameraproducts.com](mailto:info@ameraproducts.com)

# Lock Options

The standard locking device on all doors, except the fire rated doors is a screwdriver operated cam latch. All fire rated doors are supplied with a keyed paddle latch, and are keyed alike. All flush and recessed doors are keyed alike. All security doors are *keyed to specifications*. Karp also provides many other locking devices for unusual requirements on request.

## Fire-Rated Locking Devices



Paddle Latch



Rim Cylinder w/Latch

## Detention Lock and Key



## Locks for Flush & Recessed Doors



Paddle Handle



Knob Turn



T-Handle



Lift & Turn Compression Latch



Lift & Turn Compression Latch w/ Key



Cylinder Lock with Dust Shutter



1/2 " Screw Driver



1 " Screw Driver



Allen Key Head



Spanner Head

Distributed by  
**www.Ameraproducts.com**  
 Phone: (800) 608-6568  
 Fax: (409) 840-5545  
 info@ameraproducts.com

*\*Some locks cannot be used on all product lines. Please contact a representative for details.*



Distributed by  
[www.Ameraproducts.com](http://www.Ameraproducts.com)  
Phone: (800) 608-6568  
Fax: (409) 840-5545  
[info@ameraproducts.com](mailto:info@ameraproducts.com)