

DOUBLE LEAF SMOKE VENT - UFV™ WITH POLYISO INSULATION

Polyisocyanurate Insulation has the Highest R-Value for Insulating Products Like Roof Accessories. Help to Maintain Your Building's Envelope by Selecting R 11.4 Polyisocyanurate Insulation

Fusible Link: The smoke vents are equipped with a UL listed 165° F fusible link for automatic operation. The fusible link can be quickly and easily replaced.

Sizes: Only sizes from 48" x 48" up to 48" x 96" are UL listed. **Roof Opening size is order size.**

Insulation: The lid has 2" polyiso insulation in the space between the exterior cover and liner. The curb has 2" polyiso insulation.

Construction: Covers are 11 gauge aluminum, curb and curb frame are 14 gauge galvanized steel, fully welded and ground smooth, gasketed with a continuous bulb gasket, and insulated for weather tightness.

Operation: Torsion spring drives open the covers automatically. Shock absorbers control the speed of the leaves as they open.

Hardware: Heavy gauge aluminum 3/16" pivot hinges. Pull handles are provided for exterior or interior manual operation.

Finish: 2 coats silver prime coat.

Wind/Live Load & Uplift: Covers shall open against 10 psf (49 kg/m²) snow/wind load. Vent assembly rated for 40 psf (195 kg/m²) live load. Covers will remain closed under 90 psf (438 kg/m²) wind uplift force.



STEP 1: Select Model on table or enter a custom size

STEP 3: OPTIONS AT ADDITIONAL COST:

- McCabe Link
- 24 ga galvanized outer curb liner
- Security Grille to Fit Opening
- 370° UL Listed Fuse Link (replaces 165° fuse link)
- 1" Polyiso Insulation R-Value 6



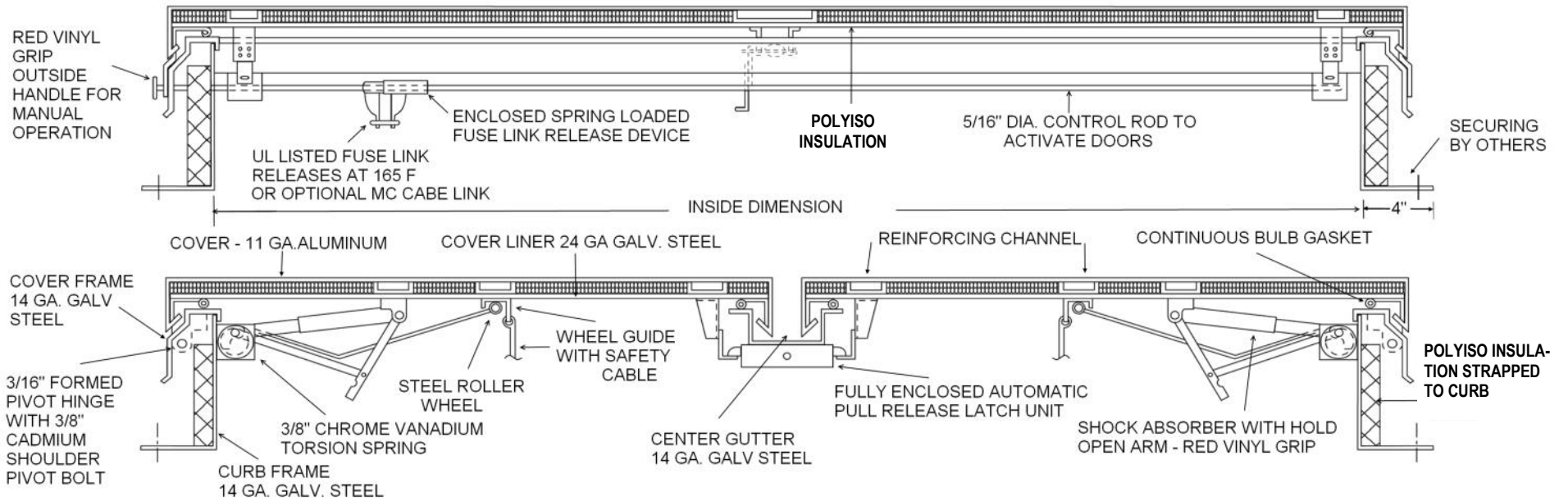
QTY	MODEL	ROOF OPENING Width x Length (hinge side)
	UFV-1-POLYISO	48" x 48"
	UFV-2-POLYISO	48" x 72"
	UFV-3-POLYISO	48" x 90"
	UFV-4-POLYISO	48" x 96"
	UFV-5-POLYISO	60" x 60" (not UL listed)
	UFV-6-POLYISO	60" x 96" (not UL listed)

Custom Size



Custom Sizes & Finishes Available -
Contact Customer Service

 9702 NEWTON AV S, BLOOMINGTON MN 55431		Distributor:	Project:
		Contractor:	Approved By:
		Date:	Architect:
		MANY LOCATIONS NATIONWIDE	Scale: N/A Pages: 1 of 2

DOUBLE LEAF SMOKE VENT - UFV™ WITH POLYISO INSULATION



Distributed by
www.Ameraproducts.com
 Phone: (800) 608-6548
 Fax: (409) 840-3343
info@ameraproducts.com

 CONSTRUCTION PRODUCTS GROUP INC.  9702 NEWTON AV S, BLOOMINGTON MN 55431		Distributor:	Project:
		Contractor:	Approved By:
		Date:	Architect:
	MANY LOCATIONS NATIONWIDE	Scale: N/A Pages: 2 of 2	Item #