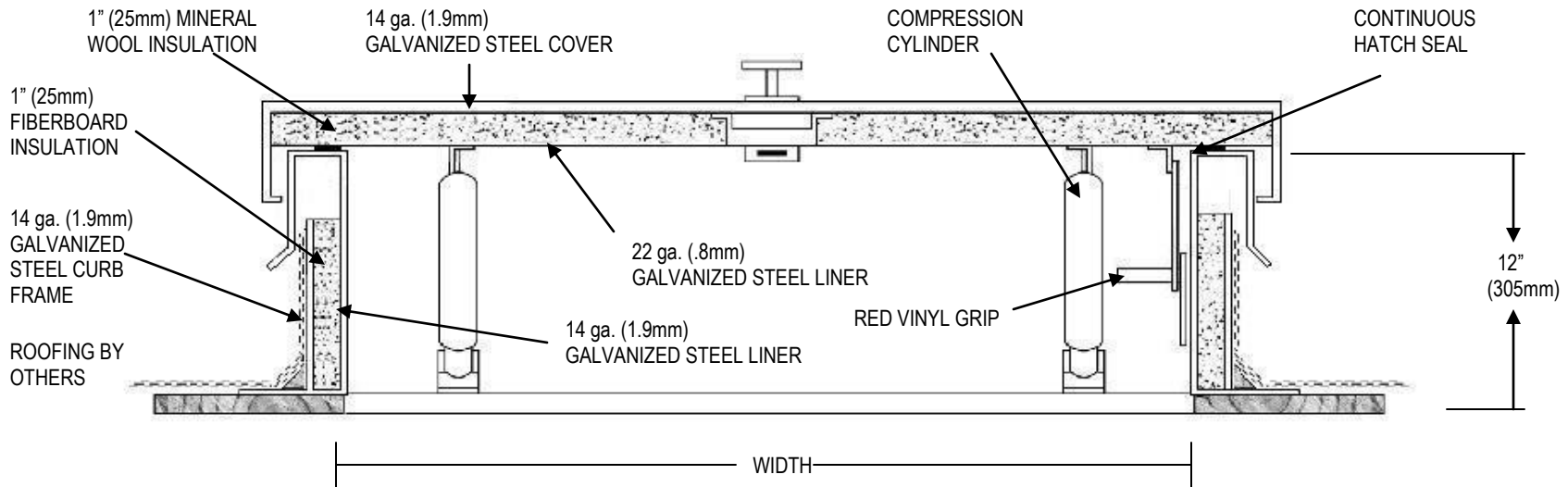


MODEL RHG-DW SERIES

The Model RHG-DW Series roof hatches provide for normal ladder, step ladder and stair access to roof from interior of the building. Manufactured from galvanized steel with weather resistant gasketing, these units feature long life, low maintenance and ease of operation. J.L. offers fully welded, mitered corners and box type door design. Units install easily over roof opening and are secured from base flange to roof deck. Hatches are hinged on the width side.



MATERIALS

Curb: 14 ga. galvanized steel on both outer wall and inner wall. 12" high curb with 3-5/8" wide flange including holes for securing to roof deck. (Curb includes integral counter flashing)

Cover: 14 ga. galvanized steel., with 22 ga. galvanized steel liner.

Finish: Bonderite® pre-treated grey hammertone powder coat.

Door Seal: EPDM continuous hatch seal.

Insulation: 1" fiberboard insulation surrounding base. 1" mineral wool insulation between exterior door and liner.

Hinges: Heavy duty hinge with zinc pin. Doors are hinged on Width.

Linkage: Heavy gauge automatic hold open arm with red vinyl grip for opening and closing.

Closure: Compression operated, shock absorbing cylinder.

Latch: Exterior handle, inside locking handle with interior and exterior padlock hasp.

Options: Ladder post Model LP-4, LP-5, LP6, Saf-T-Hatch Rooftop Safety Railing - See Separate Submittals



QTY	MODEL	CURB OPENING		Cylinders
		Width	Length	
	RHG-1DW	36"	30"	2
	RHG-2DW	54"	30"	2
	RHG-3DW	96"	30"	3
	RHG-4DW	36"	36"	2
	RHG-5DW	48"	48"	4



Distributor:	Quantity:
Contractor:	Approved By:
Model #:	Architect::
Project:	Date: