

INSTALLATION INSTRUCTIONS FOR RHG-STH ROOF HATCH WITH INTEGRAL SAFETY RAILING PAGE 1 OF 2

Our line of Roof Accessories is constructed for years of reliable use. These instructions are intended only to be a general guideline for installation. Follow local codes, roofing and sealing practices for the best weather-tight installations into the various roofing systems found in your area.

CAUTION: LID IS SPRING LOADED. Please open lid with caution.

NOTE: This product is designed for installation on a flat roof. Please consult us if a roof is sloped more than 2:12.

1. Prepare opening through roof deck of width and length as specified in **JL industries, Inc.** catalog or Detail & Submittal sheet. Opening must be positioned so as to not impair structural integrity of roof.
2. Coordinate with installation of roof deck and other substrates to receive roof hatch. Use vapor barriers, roof insulation, and roof flashing to ensure weather tight and waterproof installation. Supporting structure must withstand lateral and thermal stresses, as well as inward and outward loading pressures.
3. Position the roof hatch as follows:
When installing over a 30"x36" ladder opening, position the roof hatch so that the ladder is opposite the hinge side.
When installing over a stairway opening, position the roof hatch so that the hold-open arm is at the head of stairway.
4. **For renovation/retrofit installations:** Bend back roofing material to allow roof hatch to sit on roof deck.
For new installations: Install prior to application of final roofing material.
5. Set roof hatch base flange in thick bed of roofing cement to form seal.
6. Secure the roof hatch to the deck of the roof using the mounting holes in flange, to the supporting structural substrate.
7. Complete the installation in accordance with accepted roofing industry practice.
8. Apply final roofing material, extending over the roof hatch flanges.



ACTIVAR INC.
CONSTRUCTION PRODUCTS GROUP

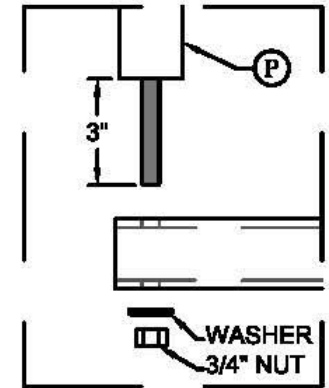
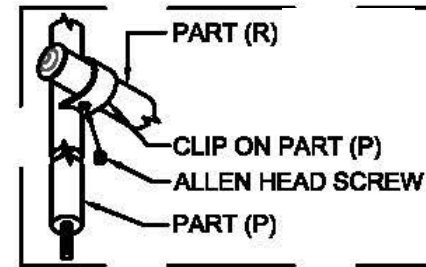
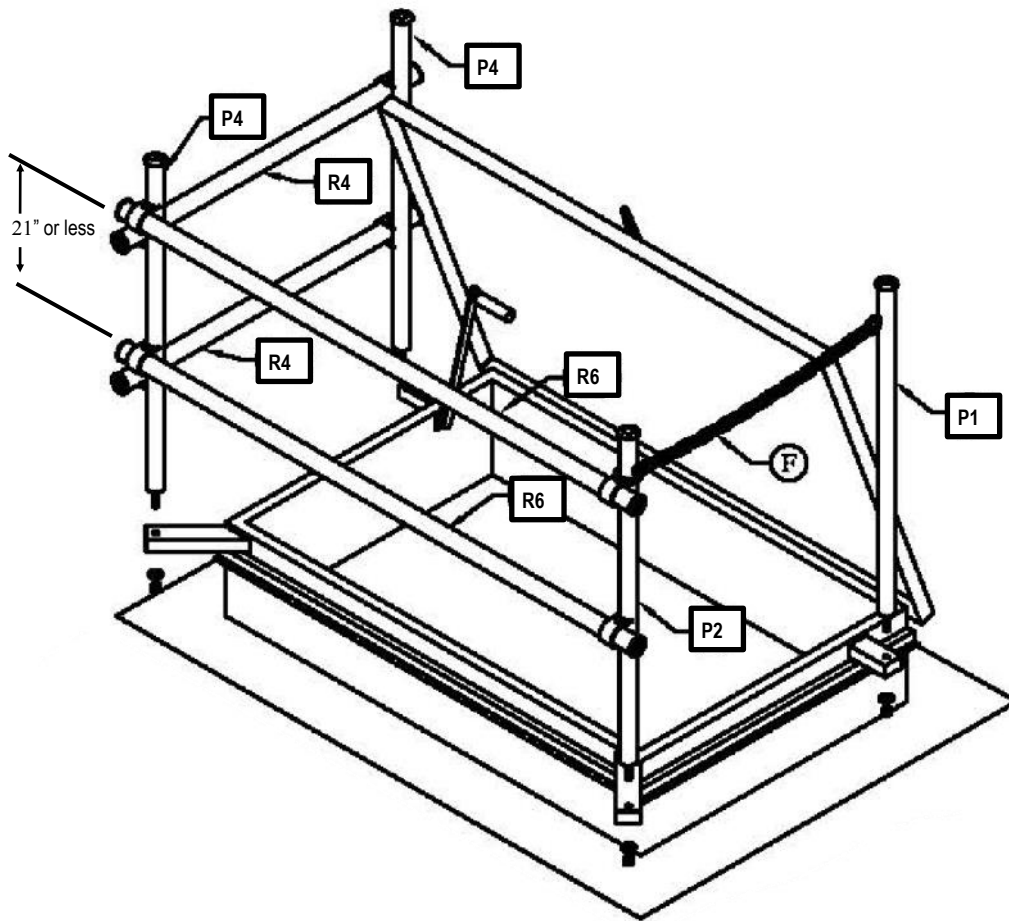
Installation Instructions for RHG-STH Roof Hatch

Distributed by
www.Ameraproducts.com
Phone: (800) 608-6568
Fax: (409) 840-5545
info@ameraproducts.com

HEADQUARTERS 9702 NEWTON AV SOUTH, BLOOMINGTON, MN 55431

MANUFACTURING: COMMERCE, CA AND BLOOMINGTON MN WAREHOUSES: DALLAS TX, LANCASTER PA, ATLANTA GA, CHICAGO IL, SEATTLE WA, FARGO ND, OMAHA NE, FORT MYERS FL 7/20/2016

INSTALLATION INSTRUCTIONS FOR RHG-STH ROOF HATCH WITH INTEGRAL SAFETY RAILING PAGE 2 OF 2



Typical Installation:

Safety rail mounting posts are provided as an integral part of this roof hatch model, as a welded component.

1. Make sure to install the opening side closest to the ladder or stair.
2. Bolt the corner posts P1, P2, P4 and P5 into the existing brackets by inserting the threaded rod through the holes provided and secure with washer and nut.
3. Install the cross rails R4 and R6 into the preset clamps and level adjust with wrench.
4. Add chain (F) or gate as specified.
5. Check and tighten all clamps and nuts.

