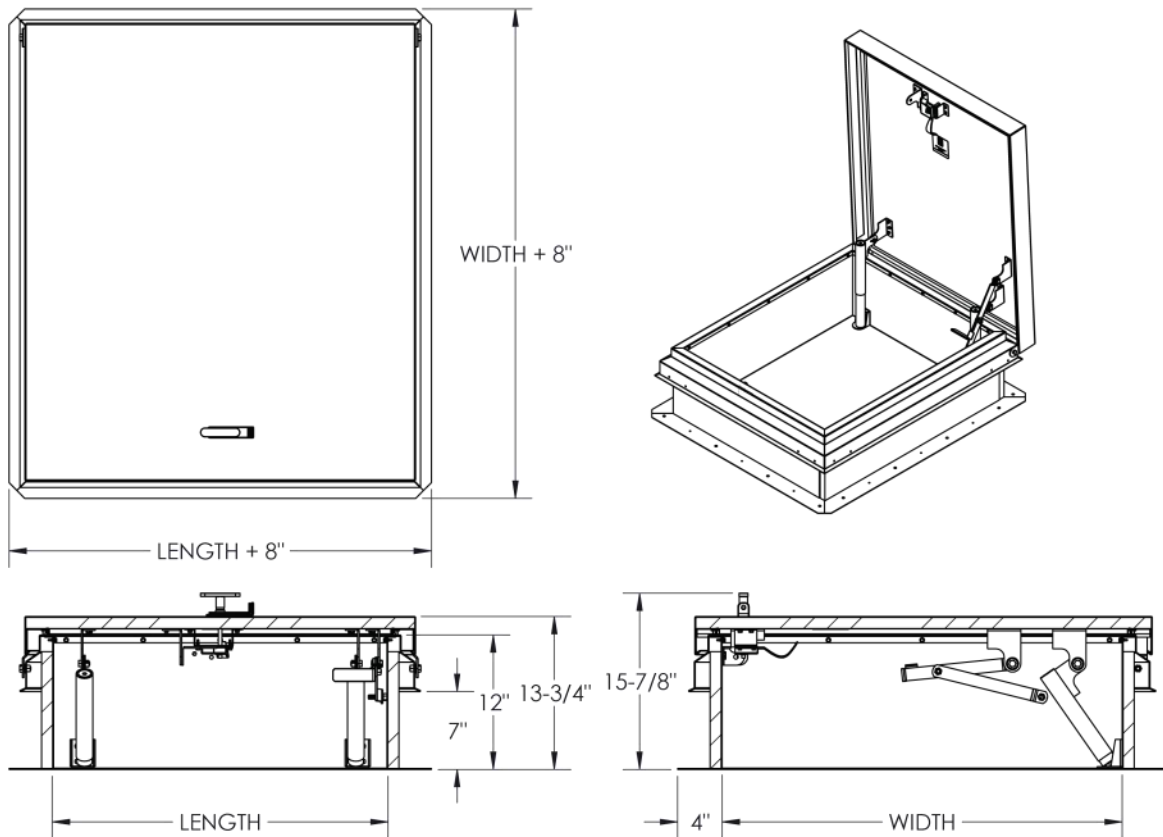


**ROOF ACCESSORIES—DURA-HATCH SERIES™ WITH SINGLE POINT LATCH - RHU**

The Dur-Red roof hatch provides single-handed opening and closing for safe and easy access to rooftops from either ladders or stairs. Polyisocyanurate insulation in the cover and on the curb give you an energy-saving upgrade from our previous model. Galvanneal construction with a durable factory powder coat finish does not need to be painted in the field.




**SPECIFICATIONS:**

- Material:** Steel- 14 gauge galvanneal steel curb and cover with 22 gauge galvanneal steel cover liner. Aluminum—11 gauge aluminum curb and cover with 22 gauge aluminum cover liner.
- Finish:** Powder coat gray texture on steel, powder coat silver texture on aluminum
- Gasketing:** Bulb neoprene door seal
- Insulation:** 1" polyisocyanurate (R-6) on curb and in cover
- Hinges:** Heavy-duty galvanneal steel or aluminum hinge with bolt pin
- Hold-Open Arm:** Clear zinc-plated steel hold-open arm with red plastic coating
- Latch:** Zinc-plated steel single point slam latch
- Springs:** Pressure intensifiers with compression spring provide lift assistance
- Sizes:** Minimum 24" x 24", Maximum: 48" x 54".  
For larger sizes see Dura-Hatch Two-Point Latch—RHU
- Order Size = Curb Opening**

**ACCESSORIES SOLD SEPARATELY:**

- \_\_\_ Safety Post, Safety Yellow (LP-4-DR)
- \_\_\_ Safety Railing (RSRWB)

 <p><b>DUR-RED PRODUCTS</b></p>	<p>Distributed by www.Ameraproducts.com Phone: (800) 608-6548 Fax: (409) 840-3343 info@ameraproducts.com</p>	<b>Distributor:</b>	<b>Project:</b>
		<b>Contractor:</b>	<b>Approved By:</b>
		<b>Date:</b>	<b>Architect:</b>
		<b>Scale: N/A</b>   <b>Pages: 1 of 2</b>	<b>Item #</b>

@2023 Activar Construction Products Group, Inc. THE INFORMATION CONTAINED IN THIS DRAWING IS THE SOLE PROPERTY OF ACTIVAR CONSTRUCTION PRODUCTS GROUP, INC. ANY REPRODUCTION IN PART OR AS A WHOLE WITHOUT THE WRITTEN PERMISSION OF ACTIVAR CONSTRUCTION PRODUCTS GROUP, INC IS PROHIBITED REV C 3/20/2023

**COMMON SIZES—RHU**

QTY	WIDTH X LENGTH	MODEL	PRIOR DUR-RED MODEL	MATERIAL	TYPE
	30" x 30"	RHUA-3030ST	LHA-3030	Aluminum	Ladder
	36" x 30"	RHUA-1ST	LHA-3036	Aluminum	Ladder
	30" x 54"	RHUA-2ST	LHA-3054	Aluminum	Stair
	36" x 36"	RHUA-4ST	LHA-3636	Aluminum	Ladder
	48" x 48"	RHUA-5ST	SSHA-4848	Aluminum	Ladder
	30" x 30"	RHUG-3030GT	LHG-3030	Galvanneal Steel	Ladder
	36" x 30"	RHUG-1GT	LHG-3036	Galvanneal Steel	Ladder
	30" x 54"	RHUG-2GT	LHG-3054	Galvanneal Steel	Stair
	36" x 36"	RHUG-4GT	LHG-3636	Galvanneal Steel	Ladder
	48" x 48"	RHUG-5GT	SSHG-4848	Galvanneal Steel	Ladder

**MADE-TO-ORDER RHU: EXAMPLE—RHUA-3640ST-IT**

<b>RHU</b>	<b>MATERIAL</b>	<b>- WIDTH LENGTH</b>	<b>FINISH</b>	<b>- OPTIONS</b>
<input type="checkbox"/>	<b>G</b> Galvanneal	<input type="checkbox"/>	<b>GT</b> Powder Coat Gray Texture (Std for RHUG)	<input type="checkbox"/> <b>ABC</b> All-But-Curb™
<input type="checkbox"/>	<b>A</b> Aluminum	<input type="checkbox"/>	<b>ST</b> Powder Coat Silver Texture (Std for RHUA, RHUGA)	<input type="checkbox"/> <b>CD</b> Double Wall Curb
<input type="checkbox"/>	<b>GA</b> Steel Curb, Aluminum Cover			<input type="checkbox"/> <b>CM</b> Curb Mount
				<input type="checkbox"/> <b>H18</b> 18" High Curb
				<input type="checkbox"/> <b>IT</b> 2" Polyiso Insulated Curb
				<input type="checkbox"/> <b>IW</b> 1" x 6" Wood Nailer Top/Polyiso Bottom of Curb
				<input type="checkbox"/> <b>RR</b> Safety Railing Ready
				<input type="checkbox"/> <b>SS</b> Stainless Hardware

See separate submittals for details on the **ABC** or **CM** Options

