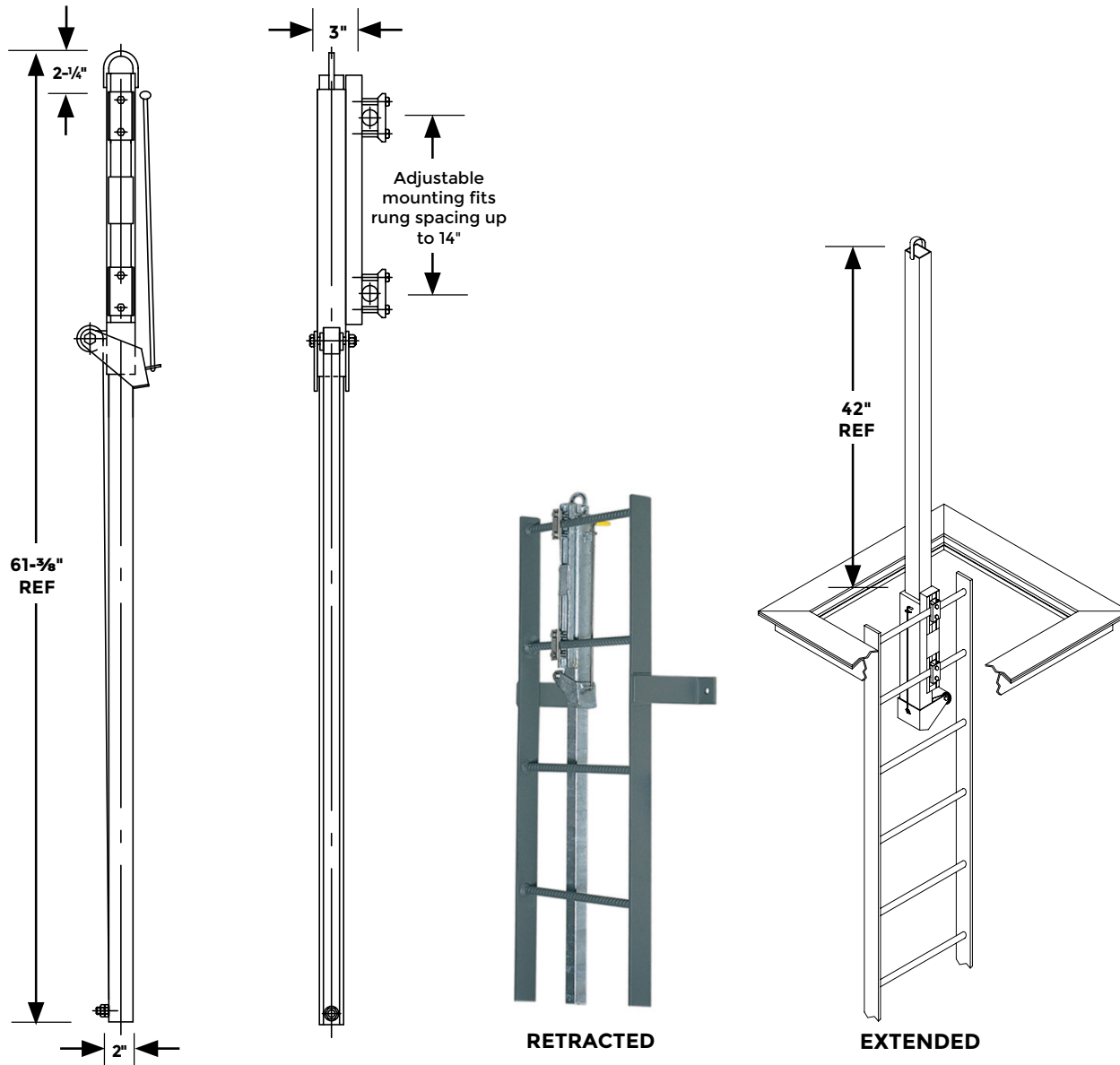


ROOF ACCESSORIES - RSLP SERIES - Spring-Balanced Ladder Post - RSLP-G

Designed for safe entry and exit assistance from roof hatch or floor door in an upright and balanced position. The spring balanced safety post comes fully assembled, ready for installing onto fixed vertical ladder rungs.



SPECIFICATIONS:

Post Material: Heavy wall square tubing: 1-1/2" x 1-1/2" steel

Finish: Hot dip galvanized

Spring Type: Constant force balancing stainless steel spring

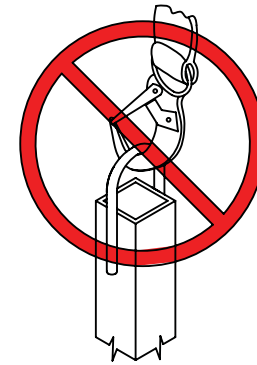
Hardware Included: 316 stainless steel bolts and washers

Ladder Requirements: Round or square rungs in sizes 3/4" - 1-1/4" spaced between 10"-14" apart, per OSHA 1910.23(b)1. When mounted, the rung centers must allow at least a 7" foot clearance, per OSHA 1910.23(d)2.

NOTES:

Ensure the ladder is of structurally sound quality - Hollow rungs not recommended and must be internally reinforced to prevent the rungs from being crushed.

Important: Use top loop for raising and pulling up the post only. It is not suitable for attaching a safety fall arrest harness and should not be used for this purpose.



QTY	MODEL	MATERIAL	FINISH	WEIGHT
	RSLP-G	Steel	Hot-dip Galvanized	23 lbs



Distributor:

Contractor:

Date:

Scale: N/A

Project:

Approved By:

Architect:

Item #:

Pages: 1 of 1