

SUBMITTAL: RHG-STH™ - GALVANIZED ROOF HATCH W/ SAFETY RAIL

The Model RHG Series with an integrated safety railing provides a complete solution in a single unit. JL roof hatches are weather-resistant, insulated and easy to operate.

Features

- Designed with corner brackets welded to the counterflashing for easy assembly and installation of the safety railing in the field.
- Roof hatch with railing is sold as one unit.
- Complies with OSHA CFR 29-1910.29 when ordered with self-closing rigid gate SHG-2436

Product Details:

RHG ROOF HATCH:

Material: 14 gauge galvanized steel.
Finish: Gray textured powder coat paint.
Curb: 12" single wall curb with 3-5/8" wide flange with holes for securing to roof deck.
Cover: 14 gauge galvanized steel, with 22 gauge galvanized steel liner. EPDM gasket seal.
Insulation: 1" Fiberboard insulation in curb and 1" mineral wool in cover.
Hardware: Heavy-duty hinge, pin and fastening hardware are zinc-plated steel. Heavy gauge, automatic hold-open arm with red vinyl grip for opening and closing.
Spring: Counterbalanced spring(s) in cylinders for lift assist.
Latch: Zinc-coated exterior and interior handles with interior and exterior padlock hasp.
Load/Deflection: Roof hatch cover has been tested and approved to support a minimum live load of 40 lbs/ft² with a maximum deflection of 1/150th of the span, maximum negative load of 50 lbs/ft² wind uplift, and 110 mph wind load when cover is in upright position.

STH-RAILING:

Certifications: When ordered with optional rigid gate, the railing meets **OSHA 1910.29** requirement for safe egress and ingress through rooftop hatch openings.
Material: 1.66" O.D. galvanized steel tubing.
Finish: Safety yellow powder coat paint.
Hardware: Zinc-plated steel nuts, bolts and washers and 3/16" ASTM proof coil chain with hoops for securing.



OPTIONAL FEATURES AT ADDITIONAL COST:

- ___ Rigid Galvanized Steel Self-closing Gate –SHG-2436
- ___ Stainless Steel Hardware: Hinges, exterior handle, inside locking handle.
- ___ Energy Efficient Polyisocyanurate Insulation: 1-1/2" polyiso insulation on curb (R-10)
- ___ Optional colors: ___ WH White Hammertone ___ RH Red Hammertone
- ___ Ladder Posts ___ LP-4 ___ LP-5 ___ LP6 (see separate submittals for more information)

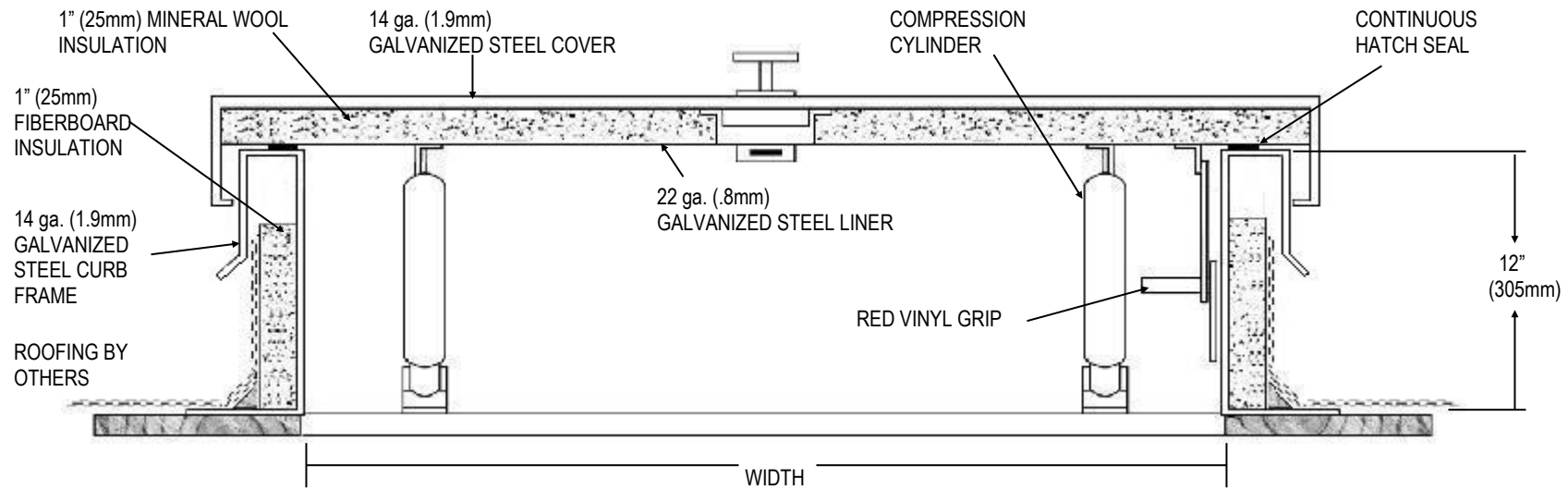


RHG-1-STH
Shown with
Optional Gate

| QTY | MODEL | CURB OPENING | | APPROX SHIPPING WEIGHT |
|-----|-----------|--------------|--------|------------------------|
| | | Width | Length | |
| | RHG-1-STH | 2' 6" | 3' 0" | 216 lbs |
| | RHG-2-STH | 4' 6" | 2' 6" | 280 lbs |
| | RHG-3-STH | 8' | 2'6" | 497 lbs |
| | RHG-4-STH | 3' 0" | 3' 0" | 253 lbs |
| | RHG-5-STH | 4' 0" | 4' 0" | 335 lbs |

| | | | |
|---|---|--------------|--|
|  |  | Distributor: | Quantity: |
| | | Contractor: | Approved By: |
| | | Model #: | Architect: |
| | | Project: | Date: © 2020 Activar Construction Products Group, Inc. |
| <p>HEADQUARTERS: 9702 NEWTON AV S, BLOOMINGTON, MN 55431 MANUFACTURING: COMMERCE, CA & BLOOMINGTON MN • WAREHOUSES: LANCASTER PA, ATLANTA GA, CHICAGO IL, SEATTLE WA, DALLAS TX, OMAHA NE, FARGO ND, FT MYERS FL 2/26/2020</p> | | | |





Rail Supports are Welded to Curb

Distributed by
www.Ameraproducts.com
Phone: (800) 608-6568
Fax: (409) 840-5545
info@ameraproducts.com