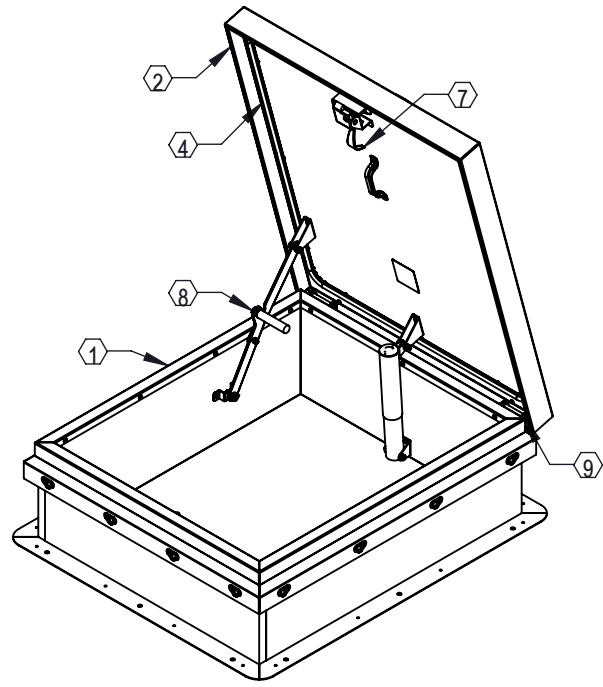
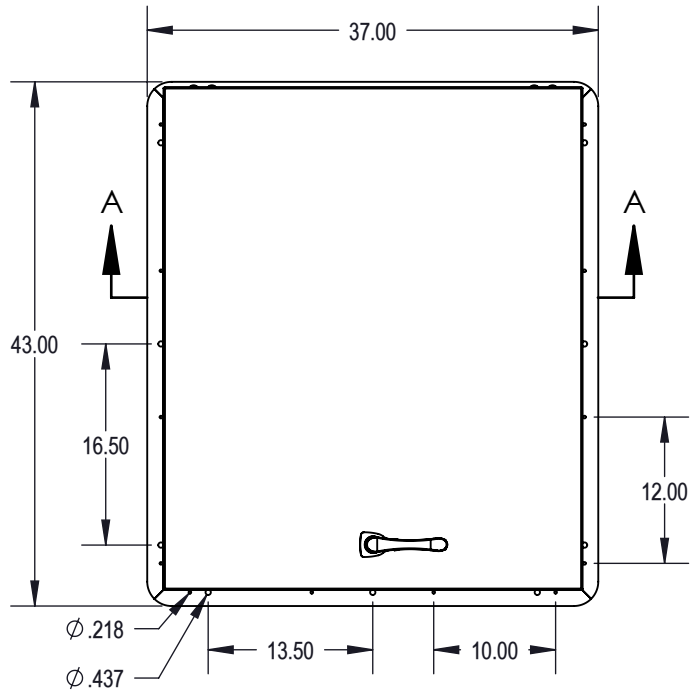


ROOF HATCH - Diamond Series™ - ROOF HATCH, DIAMOND SERIES 36 X 30 (RHA-1) | ALUM, MILL FINISH



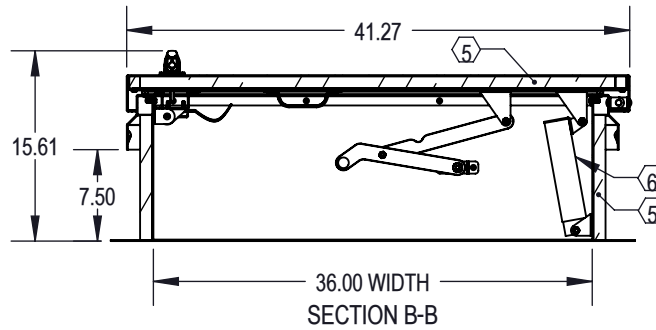
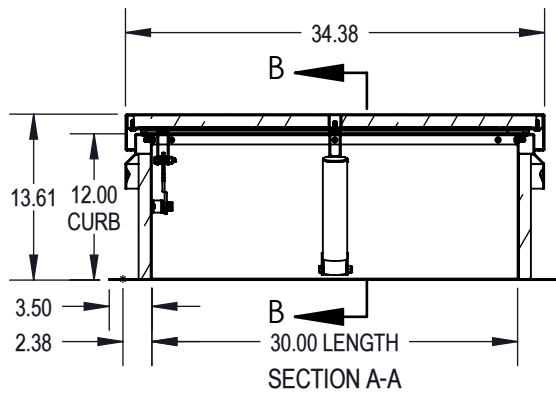
SPECIFICATIONS:

1. Curb: 11 gauge mill finish aluminum single wall curb and counterflashing with Diamond Grip.
2. Cover: 11 gauge aluminum formed, welded cover with 18 gauge liner, tested to support a live load of 40psf.
3. Finish: Mill Finish Aluminum
4. Gasket: Continuous, weatherproof EPDM sponge rubber adhesive-backed seal.
5. Insulation: 1" polyisocyanurate in curb and cover with thermal resistance R-6.
6. Spring: Counterbalanced compression springs contained in clear zinc-plated steel cylinders.
7. Latch: Clear zinc-plated steel slam latch with inside and outside handles and padlock hasps.
8. Hold Open Arm: Clear zinc-plated automatic locking hold open arm with red vinyl grip for one handed door operation.
9. Hinge: Heavy duty clear zinc-plated steel pintle hinge.

Notes:

For pitched roofs up to 7:12, mount hinge side parallel to slope.
 Door opens 75°
 Clear Opening: 25" X 24"
 Weight: 68 lbs

Diamond Series™ is a trademark of Activar Construction Products Group Inc.



MODEL #: RHDA-1



Distributor:		Project:
Contractor:		Approved By:
Date:	Quantity:	Architect:
Scale: 1:16	Pages: 1 OF 1	Drawing #: RHDA-1-SUBMITTAL_A