



# FLOOR DOOR CATALOG

**DIVISION 08 30 00**  
**DIVISION 08 31 16**

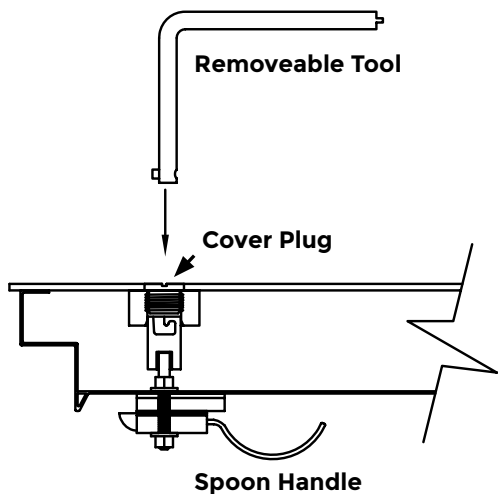
**SPECIALTY DOORS AND FRAMES**  
**FLOOR DOORS**

***ACTIVAR***

CONSTRUCTION PRODUCTS GROUP INC.



Distributed by  
[www.Ameraproducts.com](http://www.Ameraproducts.com)  
Phone: (800) 608-6548  
Fax: (409) 840-5542  
[info@ameraproducts.com](mailto:info@ameraproducts.com)



## FFD™ SERIES: FIRE-RATED FLOOR DOORS

1 - 3 HOUR

JL offers 1, 2 and 3 hour fire rated floor door models that are designed to control the transmission of heat and flames when installed in a floor-ceiling assembly with a maximum temperature rise of 250F for the specified rating period.

### PRODUCT DETAILS:

**Exterior Frame:** 12 ga (2.75 mm) galvanized steel, supplied with stainless steel anchor straps with heat-resistant rope fiber gasket.

**Door Frame:** 14 ga (1.99 mm) galvanized steel

#### Door Panel:

**FFD1 & FFD2:** 3/16" (4.78 mm) steel diamond plate exterior with 12 ga galvanized steel stiffener channels.

**FFD3:** 1/4" (6.35mm) aluminum diamond plate exterior with 12ga stiffener channels

#### Standard Finish:

**FFD1 & FFD2:** Gray primer on steel door panel & frames and bituminous coating on outer frame.

**FFD3:** Gray primer on steel frames, bituminous coating on outer frame and mill finish aluminum door panel

**Insulation:** High temperature insulation in door

**Latch:** 316 Stainless steel slam latch with removable cover plug, operable from the top side by a removable tool and underside by a spoon handle.

#### Hinge:

**FFD1 & FFD2:** Continuous stainless steel piano hinge

**FFD3:** Heavy duty continuous zinc plated steel hinge with brass pin

**Spring:** 316 Stainless steel nitrogen cylinder(s)

#### Sizes:

**FFD1 & FFD2:** Minimum 16" x 16", Maximum 42" x 54"

**FFD3:** Minimum 30" x 24", Maximum 64" x 60"

**Live Load:** 150 psf

**Note:** Floor Door is not to be exposed to rain or wet environments. Intended for dry location use only.

### FIRE RATING:

Warnock Hersey Intertek listed and labeled to ASTM E-152, ASTM E-119, CAN/ULC-S101, CAN/ULC-S104, NFPA-252, NFPA-288, UL-10B, NFPA251

### ADDITIONAL OPTIONS:

**Wood Frame Installing:** Supplied with fasteners, drivers and high temperature sealer, outer steel frame prime coated (no anchor straps, no bituminous coating) Only for FFD1 & FFD2.

#### Door Panel Options:

**FFD1 & FFD2:** 1/4" aluminum diamond plate, 1/4" aluminum smooth plate, 1/4" steel diamond plate, 3/16" steel smooth plate, Recessed aluminum smooth plate for 3/16" VCT tile or carpet

**FFD3:** 1/4" aluminum smooth plate

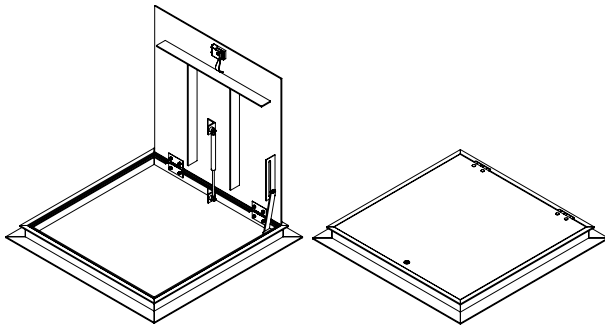
**Self Closing Mechanism:** 165°F fusible link melts during fire automatically closing door without warning by releasing gas in cylinders. This option is not retrofittable, and is not available for FFD3 sizes 42"x42" and larger.

**Latch:** Hand operated stainless steel recessed turn handle or Recessed stainless steel turn handle with detention lock underside, or Detention lock topside with operable knob underside, or Padlock hasp on underside.



MODELS			FRAME OPENING ID	
1 Hour	2 Hour	3 Hour	WIDTH	LENGTH
FFD1-2424	FFD2-2424	--	24"	24"
FFD1-2436	FFD2-2436	--	24"	36"
FFD1-3030	FFD2-3030	FFD3-3030	30"	30"
FFD1-3036	FFD2-3036	FFD3-3036	30"	36"
FFD1-3048	FFD2-3048	FFD3-3048	30"	48"
FFD1-3630	FFD2-3630	FFD3-3630	36"	30"
FFD1-3636	FFD2-3636	FFD3-3636	36"	36"
FFD1-3648	FFD2-3648	FFD3-3648	36"	48"
FFD1-4242	FFD2-4242	FFD3-4242	42"	42"
FFD1-4254	FFD2-4254	FFD3-4254	42"	54"
--	--	FFD3-6460	64"	60"





Model FLDA-3636S

MODEL	DOORS	FRAME OPENING ID	
		WIDTH	LENGTH
FLDA-2424S	Single	24"	24"
FLDA-2436S	Single	24"	36"
FLDA-3030S	Single	30"	30"
FLDA-3048S	Single	30"	48"
FLDA-3636S	Single	36"	36"
FLDA-3648S	Single	36"	48"
FLDA-3730S	Single	37"	30"
FLDA-4242S	Single	42"	42"
FLDA-4848S	Single	48"	48"
FLDA-4848D	Double	48"	48"
FLDA-6060D	Double	60"	60"

## FLDA SERIES: ANGLED FLOOR DOOR

A flush floor door that is designed to remain corrosion-free with non-slip diamond plate surface.

### PRODUCT DETAILS:

**Frame Material:** 1/4" extruded aluminum

**Door Material:** Reinforced 1/4" diamond aluminum plate.

**Standard Finish:** Mill with bituminous coating on outer frame

**Latch:** 304 Stainless steel slam latch with flush key operator on exterior and handle opener on inside. Removable stainless 18-8 threaded screw and 5/16" steel square key included.

**Hinge:** 304 Stainless steel

**Spring:** 304 Stainless steel gas assist opener

**Hold Open Arm:** Stainless steel automatic locking hold open arm

**Load:** 300 psf

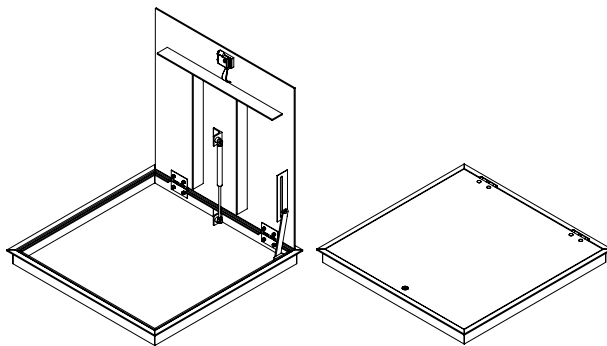
**Sizes:** Minimum 24" x 24", Maximum 60" x 60"

### ADDITIONAL OPTIONS:

Padlock tab



FLDA Cross-Section



Model FLDE-3535S

MODEL	DOORS	FRAME OPENING ID		EXISTING OPENING	
		WIDTH	LENGTH	WIDTH	LENGTH
FLDE-2323S	Single	23"	23"	24"	24"
FLDE-2335S	Single	23"	35"	24"	36"
FLDE-2929S	Single	29"	29"	30"	30"
FLDE-2947S	Single	29"	47"	30"	48"
FLDE-3535S	Single	35"	35"	36"	36"
FLDE-3547S	Single	35"	47"	36"	48"
FLDE-4141S	Single	41"	41"	42"	42"
FLDE-4747S	Single	47"	47"	48"	48"

## FLDE SERIES: ANGLED EXISTING FLOOR DOOR

The retrofit floor door is ready to be installed in an existing floor opening.

### PRODUCT DETAILS:

**Frame Material:** 1/4" extruded aluminum

**Door Material:** Reinforced 1/4" diamond aluminum plate.

**Standard Finish:** Mill

**Frame Construction:** Pre-drilled .28" dia mounting holes for 1/4" hardware (by others) 1-1/2" from bottom of frame

**Latch:** 304 Stainless steel slam latch with flush key operator on exterior and handle opener on inside. Removable stainless 18-8 threaded screw and 5/16" steel square key included.

**Hinge:** 304 Stainless steel

**Spring:** 304 Stainless steel gas assist opener

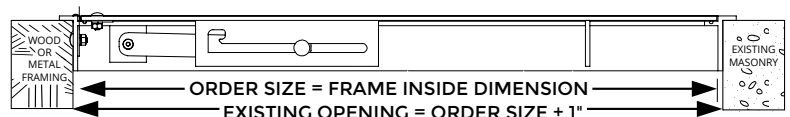
**Hold Open Arm:** Stainless steel automatic locking hold open arm

**Load:** 300 psf

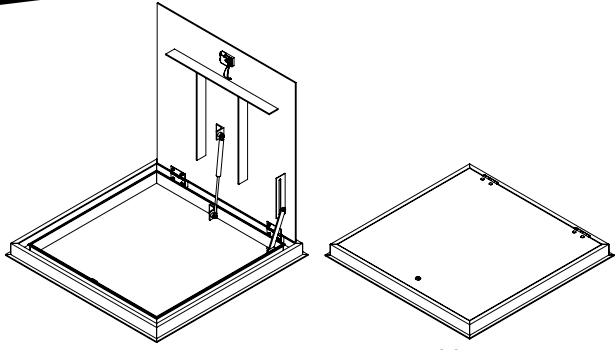
**Sizes:** Minimum 23" x 23", Maximum 48" x 48"

### ADDITIONAL OPTIONS:

Padlock tab



FLDE Cross-Section



Model FLDD-3636S

## FLDD SERIES: DRAINABLE FLOOR DOOR

A flush aluminum floor door with integral gutter system for water run-off.

### PRODUCT DETAILS:

**Frame Material:** 1/4" extruded aluminum  
**Door Material:** Reinforced 1/4" diamond aluminum plate.  
**Standard Finish:** Mill with bituminous coating on outer frame  
**Latch:** 304 Stainless steel slam latch with flush key operator on exterior and handle opener on inside. Removable stainless 18-8 threaded screw and 5/16" steel square key included.  
**Hinge:** 304 Stainless steel  
**Spring:** 304 Stainless steel gas assist opener  
**Hold Open Arm:** Stainless steel automatic locking hold open arm  
**Load:** 300psf  
**Sizes:** Minimum 24" x 24", Maximum 60" x 60"

### ADDITIONAL OPTIONS:

Padlock tab



MODEL	DOORS	FRAME OPENING ID	
		WIDTH	LENGTH
FLDD-2424S	Single	24"	24"
FLDD-2436S	Single	24"	36"
FLDD-3030S	Single	30"	30"
FLDD-3048S	Single	30"	48"
FLDD-3636S	Single	36"	36"
FLDD-3648S	Single	36"	48"
FLDD-3730S	Single	37"	30"
FLDD-4242S	Single	42"	42"
FLDD-4848D	Double	48"	48"
FLDD-6060D	Double	60"	60"



Model FLDR-3030S

## FLDR SERIES: RECESSED FLOOR DOOR

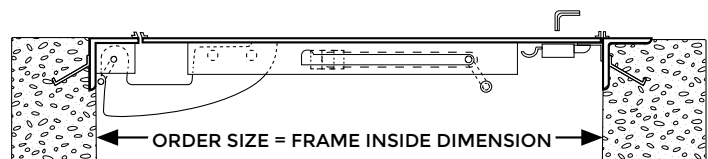
This architectural recessed floor door is designed to accommodate the installation of 1/8" tile or carpet to blend in with surrounding flooring.

### PRODUCT DETAILS:

**Frame Material:** 1/4" x 3" x 3" angle aluminum with 1/8" lip for flooring infill and bolt-on masonry anchors.  
**Door Material:** 1/4" aluminum smooth plate with 1/8" lip for flooring infill.  
**Standard Finish:** Mill  
**Latch:** Zinc plated steel slam latch with flush key operator on exterior and handle opener on inside. Chrome plated 5/16" steel square key included.  
**Hinge:** Aluminum arm-type hinge with 304 stainless steel bolts  
**Spring:** Cold-rolled steel 3/16" round torsion bar  
**Hold Open Arm:** Aluminum automatic locking hold open arm with red vinyl grip handle  
**Load:** 150psf  
**Sizes:** Minimum 24" x 24" Maximum 60" x 60"

### ADDITIONAL OPTIONS:

- Door and frame with 3/16" lip for flooring infill
- 304 Stainless steel slam latch
- Bituminous coating on outer frame
- Neoprene Gasketing



MODEL	DOORS	FRAME OPENING ID	
		WIDTH	LENGTH
FLDR-2424S	Single	24"	24"
FLDR-3030S	Single	30"	30"
FLDR-3036S	Single	30"	36"
FLDR-3636S	Single	36"	36"
FLDR-4242S	Single	42"	42"