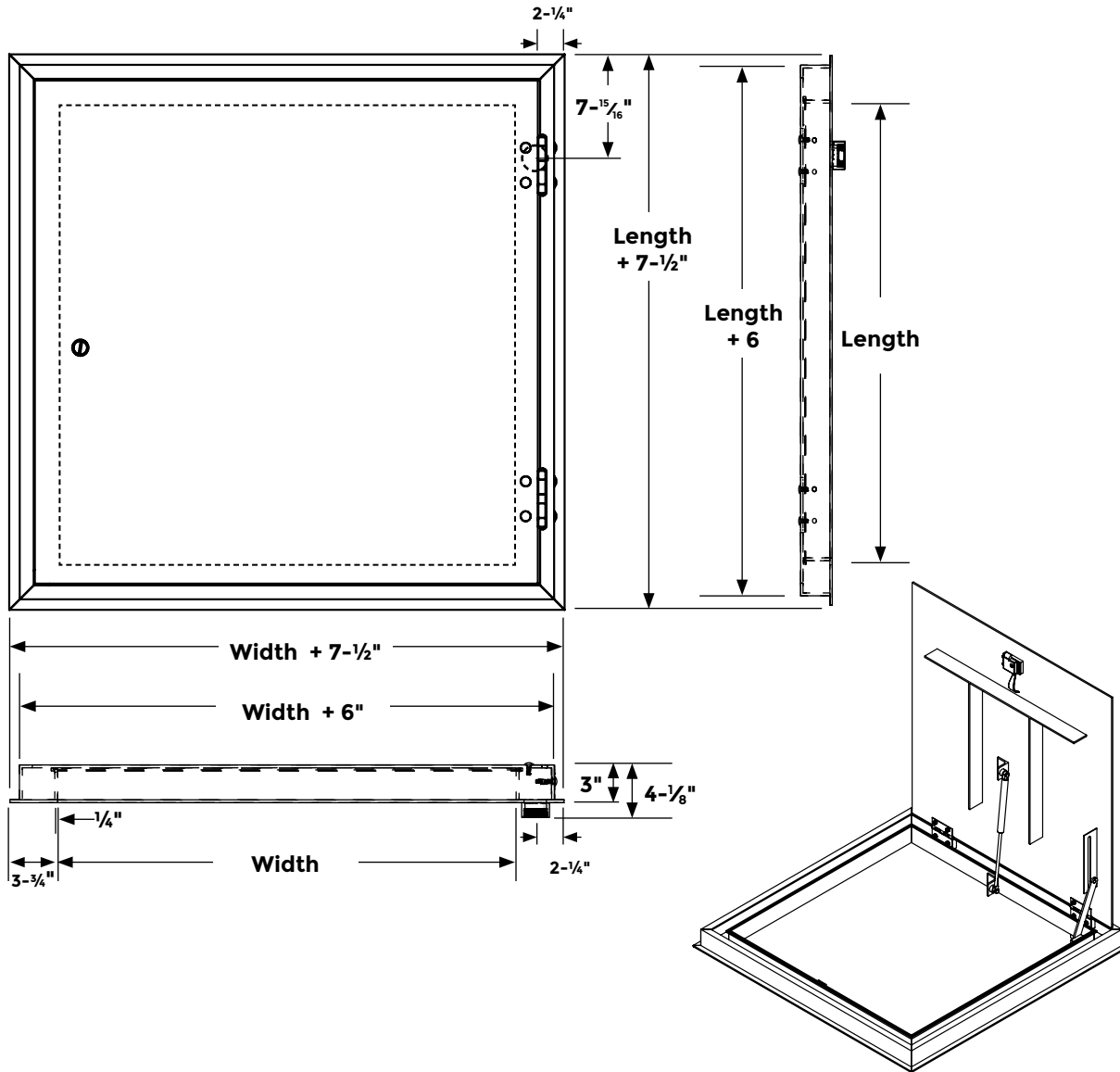


FLOOR DOOR - DRAINABLE FLOOR DOOR - FLDD

A flush floor door with integral gutter to drain moisture away from the door opening.



SPECIFICATIONS:

Frame Material: 1/4" extruded aluminum

Door Material: Reinforced 1/4" diamond aluminum plate.

Standard Finish: Mill with bituminous coating on outer frame

Frame Construction: Channel frame with 1-1/2" NPT female threaded aluminum pipe fitting for water drainage.

Latch: 304 Stainless steel slam latch with flush key operator on exterior and handle opener on inside. Removable stainless 18-8 threaded plug and 5/16" steel square key included.

Hinge: 304 Stainless steel

Spring: 304 Stainless steel gas assist opener

Hold Open Arm: Stainless steel automatically locks door open

Load: 300psf

Sizes: Minimum 24" x 24", Maximum 60" x 60"

ORDER SIZE = FRAME INSIDE DIMENSION

QTY	MODEL	ORDER SIZE		DOORS	APPROX. WEIGHT
		WIDTH	LENGTH		
	FLDD-2424S	24"	24"	Single	90
	FLDD-2436S	24"	36"	Single	106
	FLDD-3030S	30"	30"	Single	101
	FLDD-3048S	30"	48"	Single	140
	FLDD-3636S	36"	36"	Single	120
	FLDD-3648S	36"	48"	Single	151
	FLDD-3730S	37"	30"	Single	105
	FLDD-4242S	42"	42"	Single	180
	FLDD-4848D	48"	48"	Double	200
	FLDD-6060D	60"	60"	Double	320

Custom Size

ADDITIONAL OPTIONS:

Padlock Tab - PT



Distributor:

Contractor:

Date:

Scale: N/A

Project:

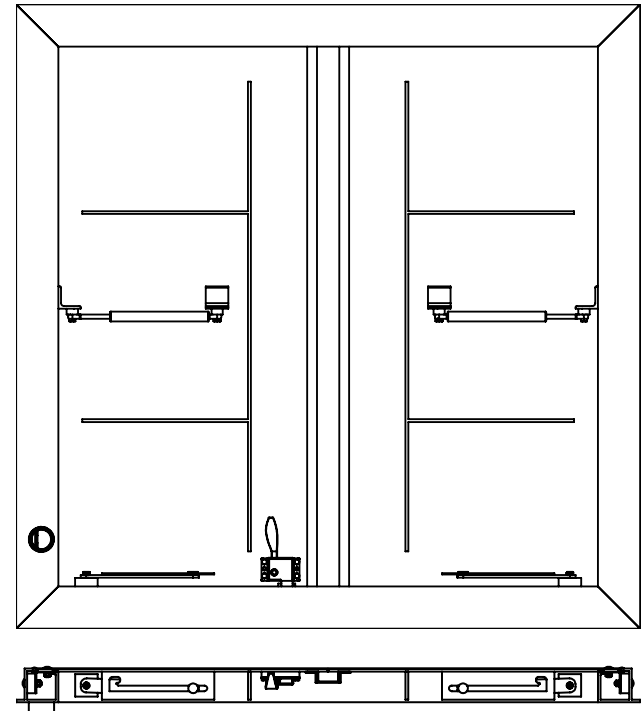
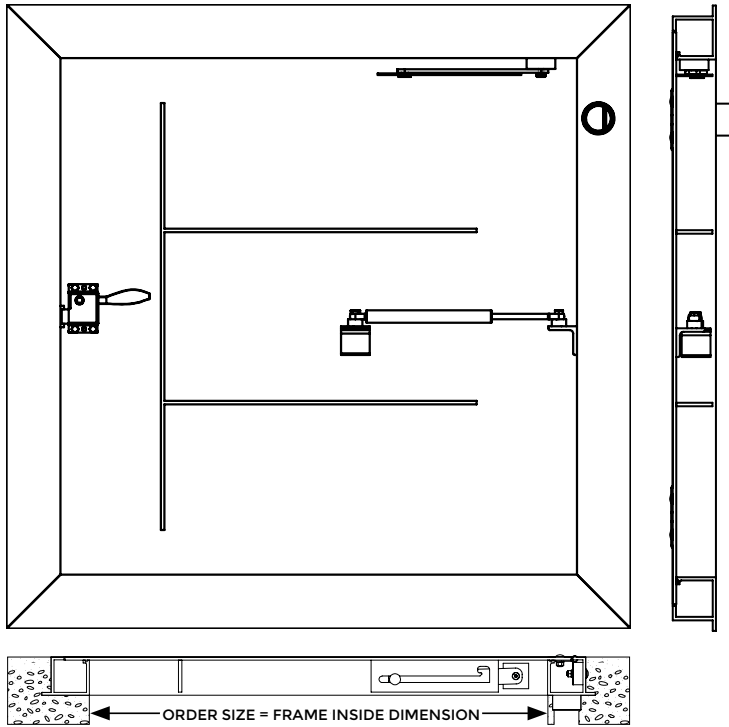
Approved By:

Architect:

Item #:

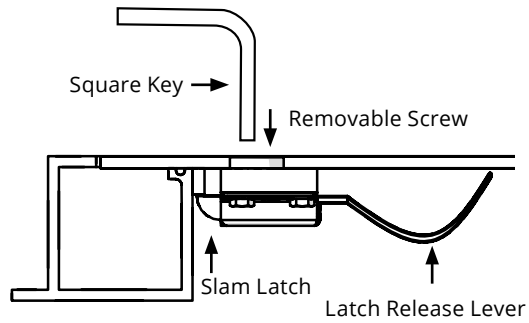
Pages: 1 of 2

FLOOR DOOR - DRAINABLE FLOOR DOOR - FLDD

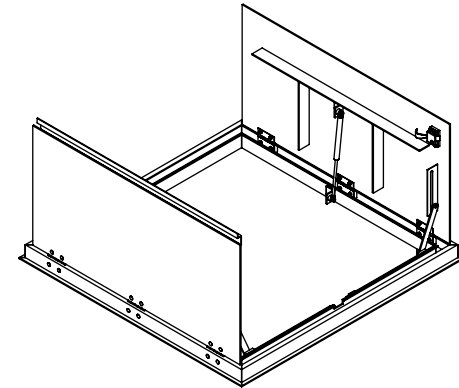


Single Door

Double Door



Latch Detail



Distributed by
www.Ameraproducts.com
 Phone: (800) 608-6548
 FAX: (409) 840-5542
info@ameraproducts.com

Distributor:		Project:
Contractor:		Approved By:
Date:		Architect:
Scale: N/A	Pages: 2 of 2	Item #: