

SUBMITTAL: FIRE HOSE & RACK ASSEMBLY

QTY	MODEL	LENGTH	HOSE DIAMETER	TYPE	VALVE SIZE	RACK LENGTH	CLASS OF SERVICE	STORED HEIGHT OF HOSE	WIDTH OF RACK	HEIGHT FROM HOSE TOP TO VALVE CENTER	OVERALL WIDTH OF STORED UNIT TO VALVE CENTER
Basic Unit for 1 1/2" Hose and Valve with Single Jacket Lined Hose, Industrial Fog Nozzle, Red Enamel Pin Rack and Cast Brass Coupling, Angle Valve, Escutcheon and Nipple											
	3005	50'	1 1/2"	Poly-Hose	1 1/2"	17 7/8"	II	23"	4 1/8"	3 7/8"	19 3/4"
	3007	75'	1 1/2"		1 1/2"	17 7/8"	II	23"	4 1/8"	3 7/8"	19 3/4"
	3010	100'	1 1/2"		1 1/2"	17 7/8"	II	25"	4 1/8"	3 7/8"	19 3/4"
Basic Unit Above, with Red Enamel Rack, Chrome plated Brass Fitting and Chrome plated Rough Brass Valve											
	3105	50'	1 1/2"	Poly-lined Hose	1 1/2"	17 7/8"	II	23"	4 1/8"	3 7/8"	19 3/4"
	3107	75'	1 1/2"		1 1/2"	17 7/8"	II	23"	4 1/8"	3 7/8"	19 3/4"
	3110	100'	1 1/2"		1 1/2"	17 7/8"	II	25"	4 1/8"	3 7/8"	19 3/4"
Basic Unit for 1 1/2" Hose and 2 1/2" Valve with Single Jacket Lined Hose, Industrial Fog Nozzle, Red Enamel Pin Rack and Cast Brass Coupling, Angle Valve, Reducer, Escutcheon and Nipple											
	3205	50'	1 1/2"	Poly-lined Hose	2 1/2"	17 7/8"	II & III	23"	4 1/8"	4 1/8"	20 1/16"
	3207	75'	1 1/2"		2 1/2"	17 7/8"	II & III	23"	4 1/8"	4 1/8"	20 1/16"
	3210	100'	1 1/2"		2 1/2"	17 7/8"	II & III	25"	4 1/8"	4 1/8"	20 1/16"
	3212	125'	1 1/2"		2 1/2"	17 7/8"	II & III	28"	4 1/8"	4 1/8"	20 1/16"
See Crownline Series for Cabinets to Fit Fire Hose Rack Assemblies.											





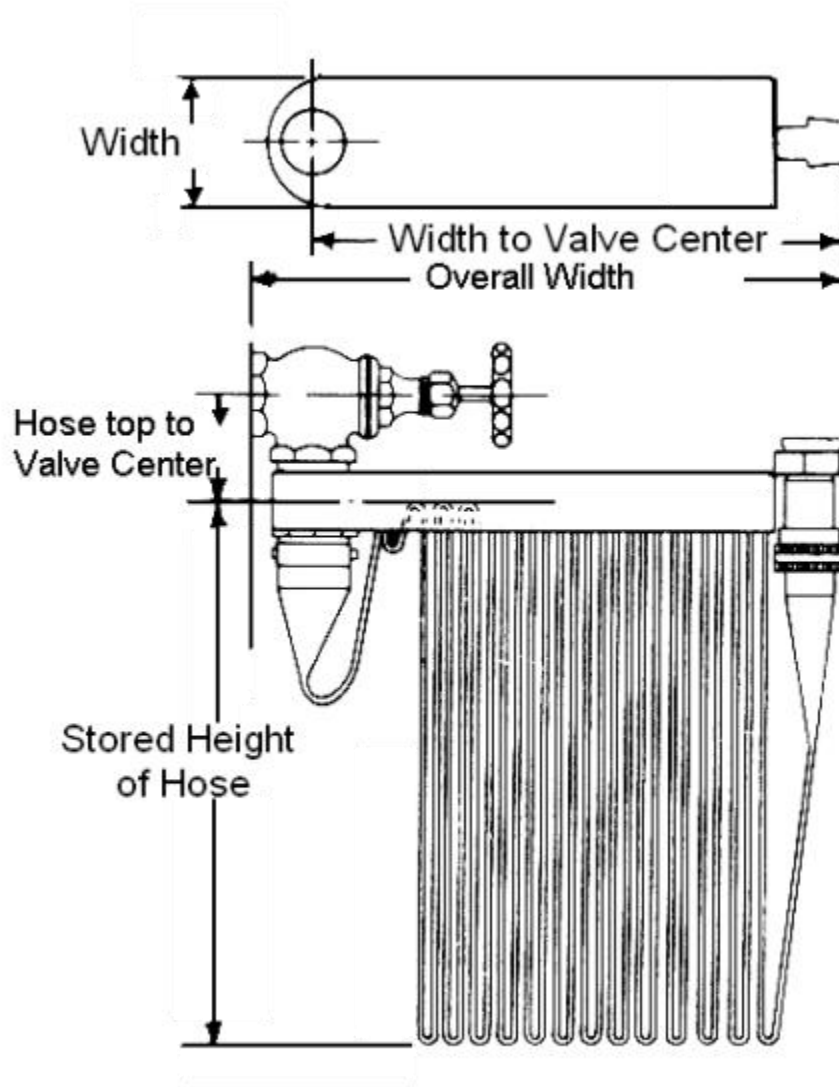
Choose a Complete System for Your Application. JL Fire Hoses feature one-man operation for immediate means of fire control.

Ratings: 100 GPM at 65 PSI at the nozzle. Class II Service under NFPA/FEMA Class of Service. Hose is FM-approved - 500 lb test. Industrial Fog Nozzle, Angle Valve and Pin Rack are UL-rated.

UL Rating Optional: Hose will be marked 300 lb Test per UL 19

Hose: Single Jacket Polyurethane-lined, 100% Synthetic Jacket. Lightweight hose is totally immune to mildew and rot.

  <div style="border: 1px solid black; border-radius: 15px; padding: 5px; text-align: center;"> Distributed by www.Ameraproducts.com Phone: (800) 608-6568 Fax: (409) 840-5545 info@ameraproducts.com </div>	Distributor:	Quantity:
	Contractor:	Approved By:
	Model #:	Architect:
	Project:	Date:



Distributed by
www.AmeraProducts.com
Phone: (800) 608-6568
Fax: (409) 840-5545
info@ameraproducts.com