

SUBMITTAL: 1400 LIFESTART® SERIES AED CABINET—BRONZE & BRASS

Our 1400 Series in Bronze and Brass Complements your Building Décor. Protect valuable Automated External Defibrillators (AED's) with durable Lifestart cabinets. Each cabinet is equipped with a 85 dB door alarm to deter tampering.

Trim Construction: Bronze (US10 or US10B), brass (US3).

Door: Bronze or brass formed door, mounted in a 5/8" door stop with pull handle painted to match finish, roller catch and continuous hinge. Theft-deterrent SAF-T-LOK™ available.

Alarm: 85 db Commander (audible) alarm standard with keyed on/off switch on the door.

Trim Style & Depth: Recessed – 3/8" flat trim, Semi-Recessed – 1-1/2" square edge

Tub: White powder-coated CRS. Fire-rated available - See Separate Submittal

STEP 1: SELECT MODEL NUMBER AND QUANTITY ON CHART (refer to chart on page 2)

A. Determine Trim Style according to wall depth. B. Determine Tub I.D. according to size most suited for AED and wall opening.

STEP 2: SELECT DOOR STYLE Check one box below

- | | |
|---|---|
| <input type="checkbox"/> F Full Glazing | <input type="checkbox"/> W Vertical Duo with SAF-T-LOK |
| <input type="checkbox"/> G Full Glazing with SAF-T-LOK | <input type="checkbox"/> S21 Solid Door |
| <input type="checkbox"/> V Vertical Duo | <input type="checkbox"/> L22 Solid Door with SAF-T-LOK |

STEP 3: SELECT GLAZING Check one box below

- | | |
|--|---|
| <input type="checkbox"/> 12 Acrylic | <input type="checkbox"/> 17 Tempered |
|--|---|

Note: Only F12 and G12 Combinations have Large AED Heart Silk Screen Graphics - All Others Include Lettering as Shown Below

STEP 4: SELECT OPTIONAL FEATURES AT ADDITIONAL COST:

- | | |
|---|---|
| <input type="checkbox"/> (SA) Siren Strobe Alarm and 85 dB Alarm (3" Trim Models Only) | <input type="checkbox"/> Wall Signs: __ Flat __ Tent __ Rt Angle __ Bi-Lingual __ Directional (See separate submittal for more details on these plastic signs) |
| <input type="checkbox"/> (STC) Saf-T-Clasp for Visual Notification When Door has been opened | <input type="checkbox"/> Etched, Silkscreen or Engraved Lettering - Check here and attach separate submittal to order. |
| <input type="checkbox"/> (14MAG) Magnetic Door Contact for Existing Alarm Systems | Custom Door Graphics - company logos, photos, etc. Contact C.S |
| <input type="checkbox"/> (14RR) Roller Reed Ball Contact for Existing Alarm Systems | Automated External Defibrillator sold separately - see website |
| <input type="checkbox"/> US9 Bright Polished Door & Trim. (Pulls painted to match) | |
| <input type="checkbox"/> US4 Satin Brass Door & Trim (Pulls painted to match) | |
| <input type="checkbox"/> Examples of Brass & Bronze Finishes can be Viewed on our Website | |




**1486F12 Semi-Recessed Cabinet
US10B Finish and
Silkscreen Graphic**

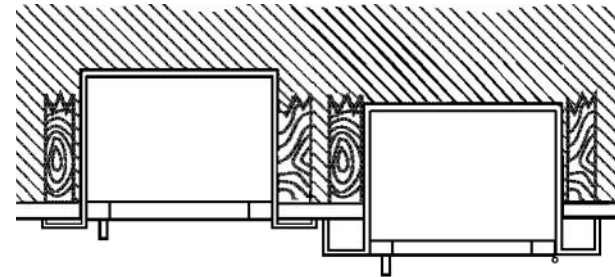
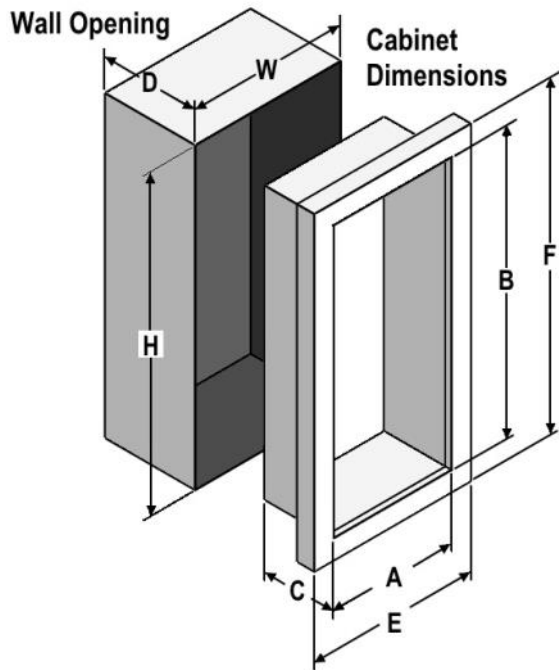


**1445F12 Recessed Cabinet
US10 Satin Bronze Finish and
Silkscreen Graphic**

AED die cut (1-1/4" x 5-3/8) and Warning decal (3/4" x 3-1/2") included with all cabinets except F12 and G12



| | | |
|---|--------------|--------------|
|  <p>LIFESTART AND SAF-T-LOK ARE TRADEMARKS OF ACPG</p> | Distributor: | Quantity: |
| | Contractor: | Approved By: |
| | Model #: | Architect: |
| | Project: | Date: |



**3/8"
Flat Trim**

**1-1/2"
Square Trim**

| TRIM & DOOR MATERIAL & SERIES # | | | | | | | TUB I.D. | | | FRAME O.D. | | WALL OPENING NON-RATED | | |
|---------------------------------|-------------|-----|--------------|-----|-----------|--------------------|----------|-----|--------|------------|---------|------------------------|---------|--------|
| QTY | BRONZE US10 | QTY | BRONZE US10B | QTY | BRASS US3 | TRIM STYLE | A | B | C | E | F | W | H | D |
| | 1445 | | 1485 | | 1455 | Flat Trim | 14" | 14" | 6-3/4" | 17-3/8" | 17-3/8" | 15-1/4" | 15-1/4" | 6-5/8" |
| | 1446 | | 1486 | | 1456 | 1-1/2" Square Trim | 14" | 14" | 6-3/4" | 17-3/8" | 17-3/8" | 15-1/4" | 15-1/4" | 5-3/8" |

Distributed by
www.Ameraproducts.com
 Phone: (800) 608-6568
 FAX: (409) 840-5543
info@ameraproducts.com