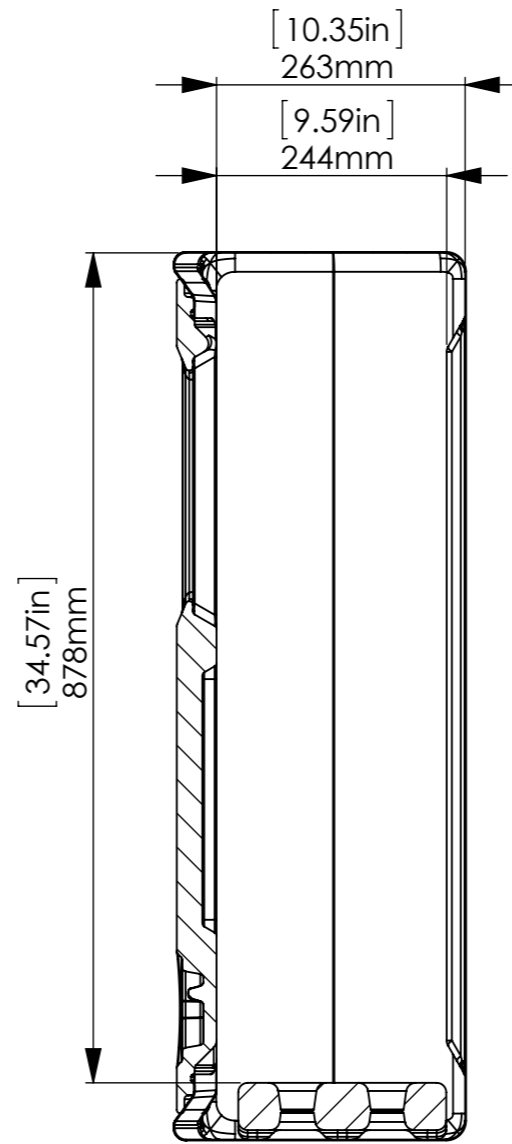
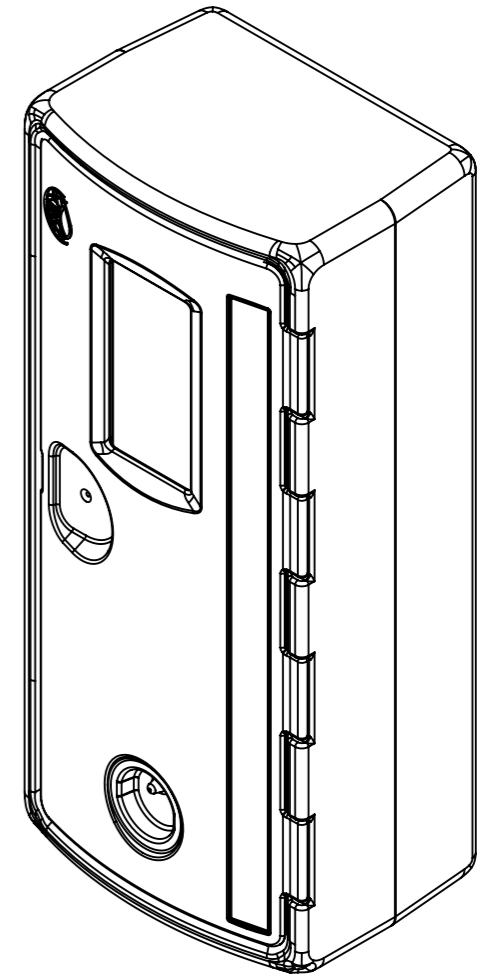


SECTION B-B



SECTION A-A



Distributed by  
[www.Ameraproducts.com](http://www.Ameraproducts.com)  
 Phone: (800) 608-6568  
 Fax: (409) 840-5545  
[info@ameraproducts.com](mailto:info@ameraproducts.com)

UNLESS OTHERWISE SPECIFIED:  
 DIMENSIONS ARE IN MILLIMETERS  
 SURFACE FINISH:  
 TOLERANCES:  
 LINEAR:  
 ANGULAR:

FINISH:

DEBUR AND  
 BREAK SHARP  
 EDGES

	NAME	SIGNATURE	DATE
DRAWN			
CHK'D			
APPV'D			
MFG			
Q.A			

MATERIAL:

WEIGHT: 11658.86



**FSP HOLDINGS Pty Ltd**

COPYRIGHT OF THIS DRAWING REMAINS THE SOLE PROPERTY OF FSP HOLDINGS PTY LTD UNLESS OTHERWISE ASSIGNED IN WRITING. THIS DOCUMENT CAN NOT BE USED OR SHARED WITHOUT THE WRITTEN CONSENT OF FSP HOLDINGS PTY LTD.

TITLE:

CFE900 Latest Revision from  
 Tony Meng 11-05-2017

DWG NO.

CFE900-BM

A3

SCALE:1:8

DO NOT SCALE DRAWING

REVISION

D

SHEET 1 OF 1