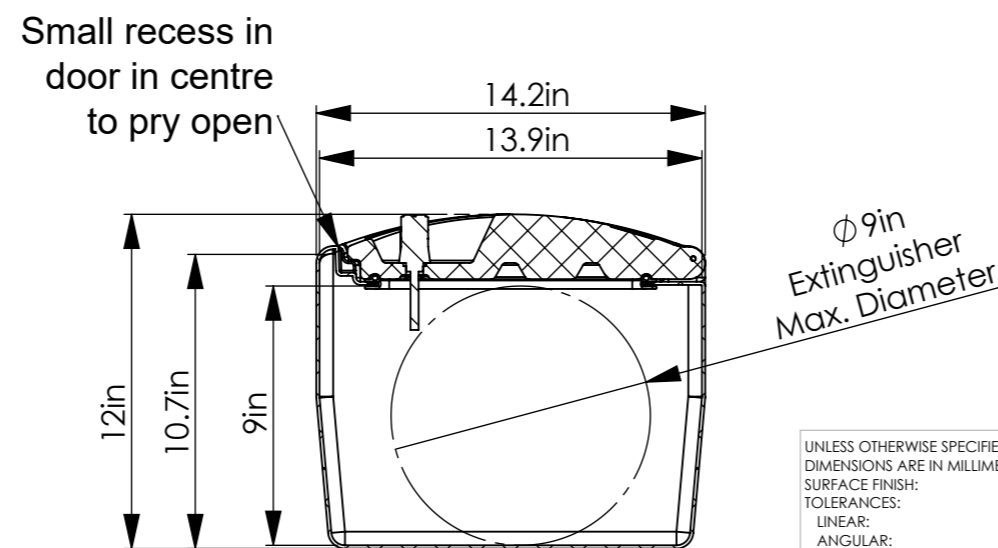


SECTION A-A



SECTION B-B

Distributed by  
[www.Ameraproducts.com](http://www.Ameraproducts.com)  
 Phone: (800) 608-6568  
 Fax: (409) 840-5545  
[info@ameraproducts.com](mailto:info@ameraproducts.com)

UNLESS OTHERWISE SPECIFIED: DIMENSIONS ARE IN MILLIMETERS		FINISH:		DEBUR AND BREAK SHARP EDGES	
SURFACE FINISH:					
TOLERANCES:					
LINEAR:					
ANGULAR:					
NAME	SIGNATURE	DATE			
DRAWN					
CHK'D					
APPV'D					
MFG					
Q.A.					
			MATERIAL:		
			WEIGHT:		

**FSP HOLDINGS Pty Ltd**  
 COPYRIGHT OF THIS DRAWING REMAINS THE SOLE PROPERTY OF FSP HOLDINGS PTY LTD UNLESS OTHERWISE ASSIGNED IN WRITING. THIS DOCUMENT CAN NOT BE USED OR SHARED WITHOUT THE WRITTEN CONSENT OF FSP HOLDINGS PTY LTD.

**CFE450 Fire Extinguisher Cabinet**

DWG NO. **CFE450** A3

SCALE:1:7 DO NOT SCALE DRAWING REVISION C SHEET 1 OF 1