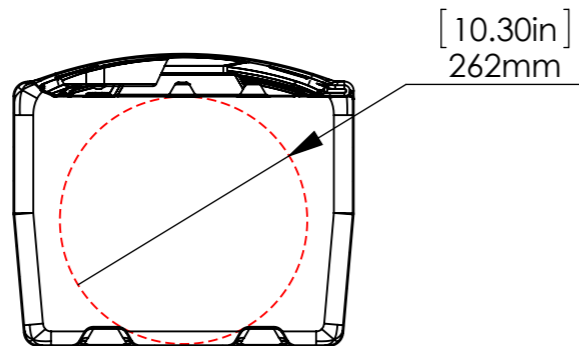


SECTION A-A



SECTION B-B

Distributed by  
[www.AmeraProducts.com](http://www.AmeraProducts.com)  
 Phone: (800) 608-6568  
 Fax: (409) 840-5545  
[info@ameraproducts.com](mailto:info@ameraproducts.com)

UNLESS OTHERWISE SPECIFIED:  
 DIMENSIONS ARE IN MILLIMETERS  
 SURFACE FINISH:  
 TOLERANCES:  
 LINEAR:  
 ANGULAR:

FINISH:

DEBUR AND  
 BREAK SHARP  
 EDGES



**FSP HOLDINGS Pty Ltd**

COPYRIGHT OF THIS DRAWING REMAINS THE SOLE PROPERTY OF FSP HOLDINGS PTY LTD UNLESS OTHERWISE ASSIGNED IN WRITING. THIS DOCUMENT CAN NOT BE USED OR SHARED WITHOUT THE WRITTEN CONSENT OF FSP HOLDINGS PTY LTD.

	NAME	SIGNATURE	DATE
DRAWN			
CHK'D			
APPV'D			
MFG			
Q.A			

TITLE:

**CFE450 Latest Revision from Tony Meng 11-05-2017**

MATERIAL:	
WEIGHT: 4123.30	

DWG NO.	<b>CFE450-BM</b>	A3
SCALE: 1:8	DO NOT SCALE DRAWING	REVISION D SHEET 1 OF 1