

## GLASS... IN STOCK GLASS / ACCESSORIES

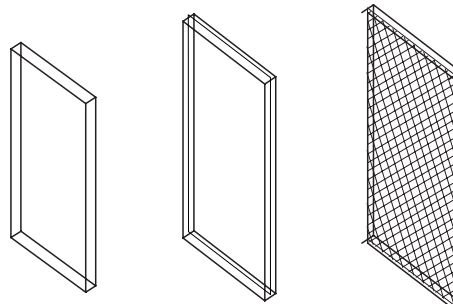
**IN STOCK  
FOR IMMEDIATE SHIPPING**

### VISION LITE NARROW & STANDARD PROFILE, 1/4" & 3/16" GLASS THICKNESS

Glass sizes are measured 1" less than the cut out size

#### TEMP (Tempered Glass)

- Heat-treated clear safety glass that breaks into small particles when broken.
- Light Transmission: 86% approx
- Thickness: 1/4" (6 mm)
- Non-Fire Rated
- Size: Minimum 2" x 2", max sheet size: 88" x 118"



**PYRAN      TEMPERED      WIRESHIELD**

#### PPF (PYRAN® PLATINUM F, Fire & Safety Rated)

- Fire-Rated up to 90 minutes (180 minutes in doors) with required hose stream test
- Fire and Safety-Rated Glass Impact / Safety Rated to ANSI Z97.1 and CPSC 16CFR1201 CAT II
- Thickness: 3/16" (5mm). Weight: 2.5 lbs / ft.<sup>2</sup>
- Premium glass-ceramic with surface applied heavy duty film
- Transparent and wireless with light transmission at 80% approx.
- Certified C2C-Silver by MBDC and is listed in the EPA's Environmentally Preferable Purchasing (EPP) database and can earn LEED points
- Maximum sheet size: 43" x 77"

#### WS (PROTECT3™ Wired Safety Glass, Fire Rated)

- Fire Rated up to 90 minutes with hose stream
- UL classified and UL labeled
- Impact-safety rated to ANSI Z97.1 and CPSC 16CFR1201 CAT I and II
- Passes 400 ft-lb impact tests
- Passes air blast testing - minimum Level 3 @ 4.0PSI
- Embedded 3/4" x 3/4" wire mesh
- Light Transmission: 86% approx
- Thickness: 1/4" (6 mm)
- Annealed single glazing with safety film applied to one side

INSTOCK SIZES <span style="background-color: black; color: white; padding: 2px;">FOR IMMEDIATE SHIPPING</span>			
GLASS SIZES	TEMP (1/4")	WS (1/4")	PPF (3/16")
4" x 34"	Custom Sizes available. Width: 4" to 36" Height: 4" to 77"  <i>For pricing &amp; availability inquiries contact your Local Distributor</i>	Custom Sizes available. Width: 4" to 36"  <i>For pricing &amp; availability inquiries contact your Local Distributor</i>	Custom Sizes available. Width: 4" to 36" Height: 4" to 72"  <i>For pricing &amp; availability inquiries contact your Local Distributor</i>
5" x 26"			
6" x 21"			
7" x 17"			
7" x 29"			
7" x 31"			
7" x 35"			
11" x 11"			
23" x 23"			
23" x 29"			
23" x 31"			
23" x 35"			
23" x 63"			

**Call our Customer Service for unlisted sizes.**

Use of glazing compound or glazing tape on both sides recommended to minimize breakage. Install in fire listed vision frames.

Black Glazing Tape: 1/16" x 3/8" x 150', item # "GT"

