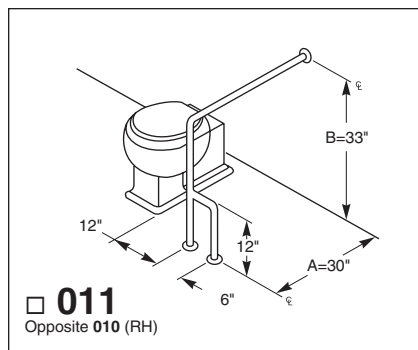
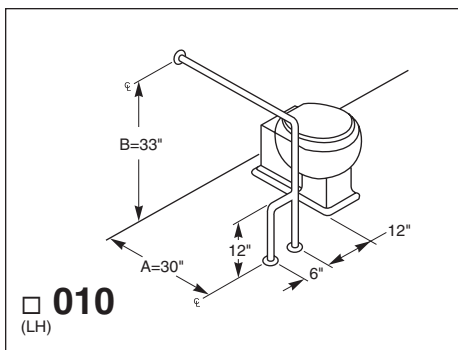
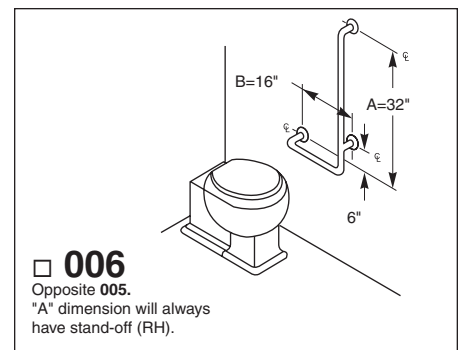
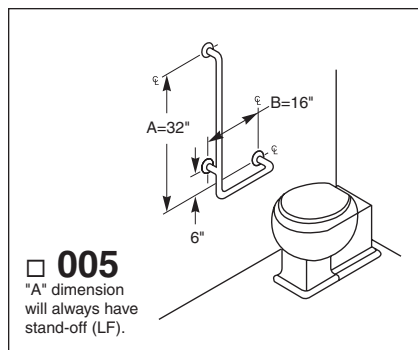
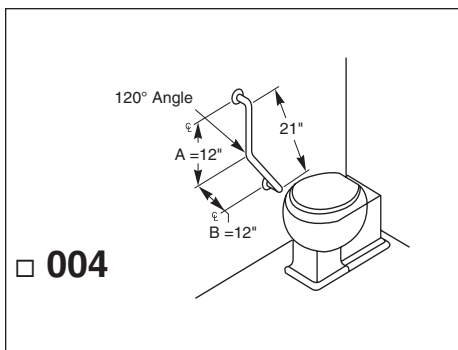
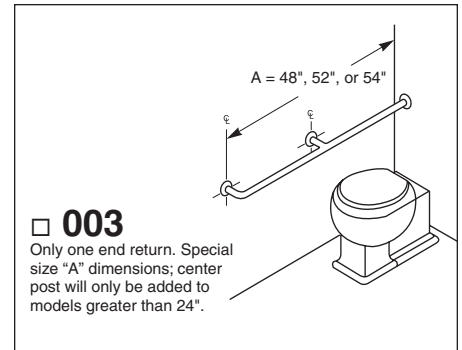
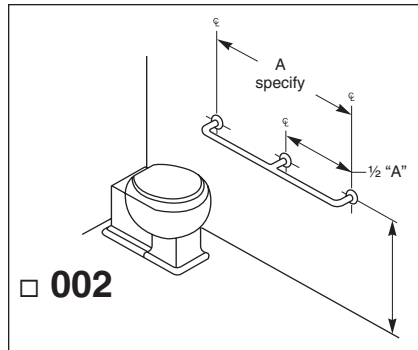
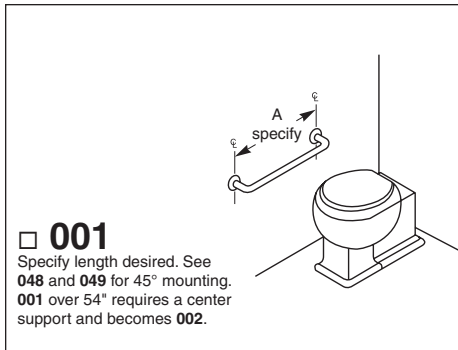


### Typical Water Closet Applications:



### **ADA Compliant**

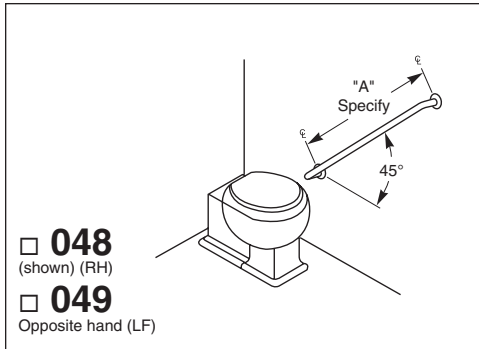
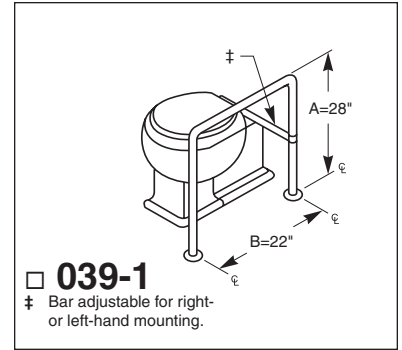
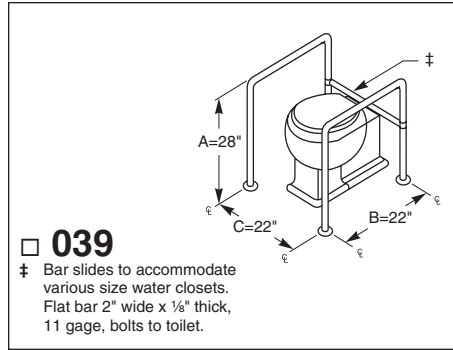
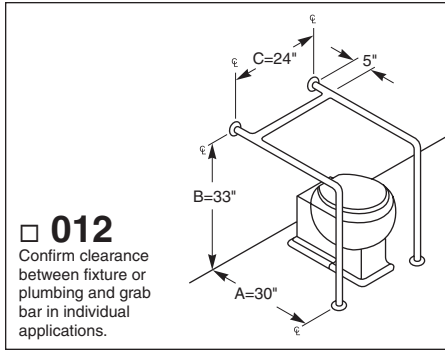
- Consult local and national accessibility codes for proper installation guidelines.
- Conformity and compliance to local and national codes is the responsibility of the installer.

**NOTE:** When Grab Bar dimensions are modified, a support will be added to all sections longer than 54".

Washroom Accessories  
Document No. 8856

Distributed by  
**www.Ameraproducts.com**  
Phone: (800) 608-6568  
Fax: (409) 840-5545  
info@ameraproducts.com

### Typical Water Closet Applications:



### ADA Compliant

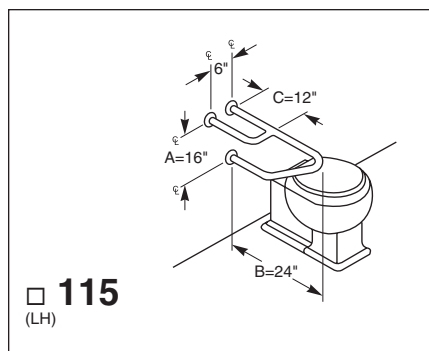
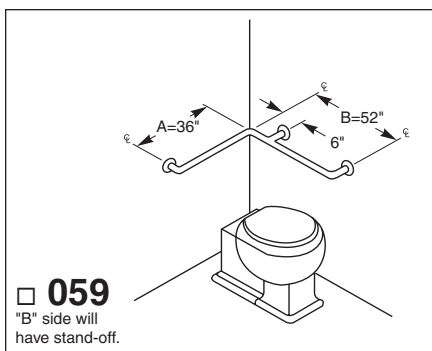
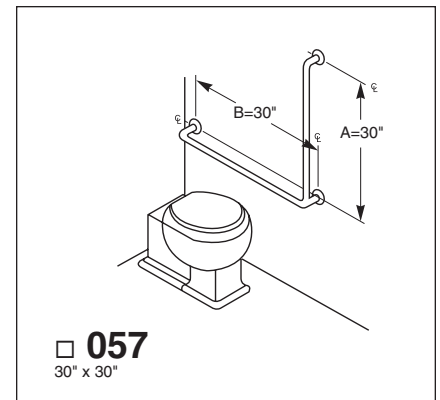
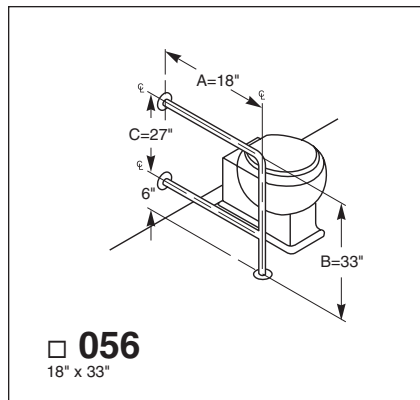
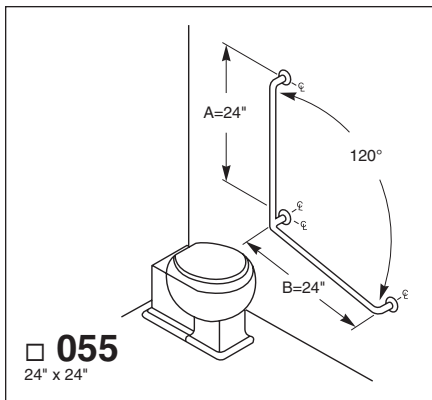
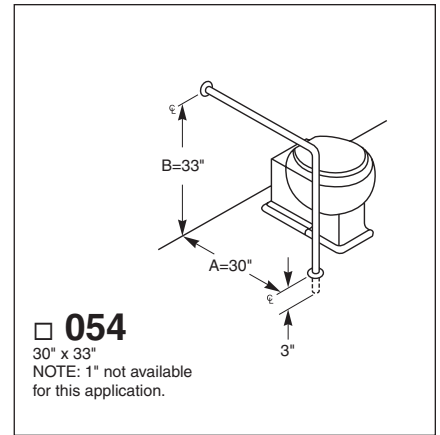
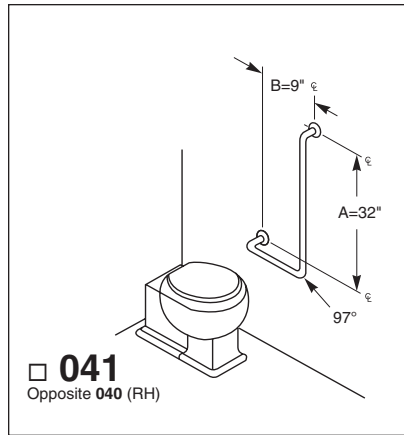
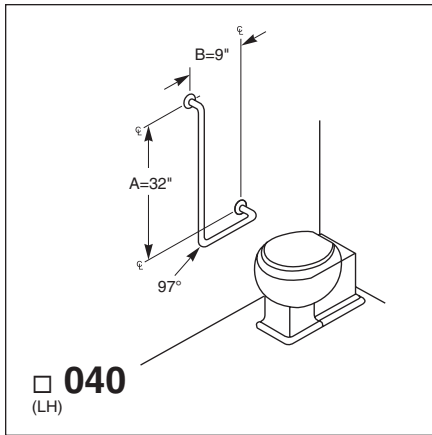
- Consult local and national accessibility codes for proper installation guidelines.
- Conformity and compliance to local and national codes is the responsibility of the installer.

**NOTE:** When Grab Bar dimensions are modified, a support will be added to all sections longer than 54".

**Washroom Accessories  
Document No. 8856**

Distributed by  
[www.Ameraproducts.com](http://www.Ameraproducts.com)  
Phone: (800) 608-6568  
Fax: (409) 840-5545  
[info@ameraproducts.com](mailto:info@ameraproducts.com)

### Typical Water Closet Applications:



### ADA Compliant

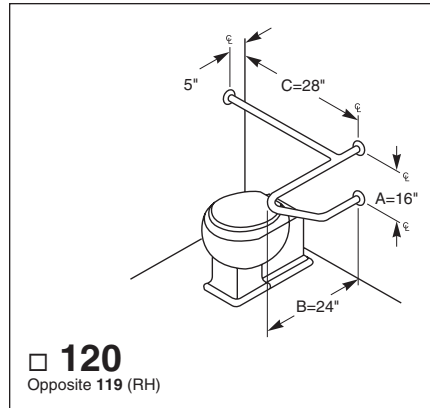
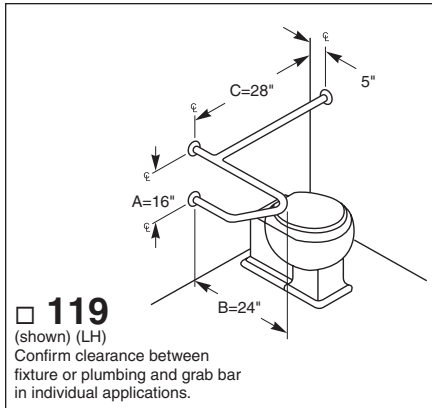
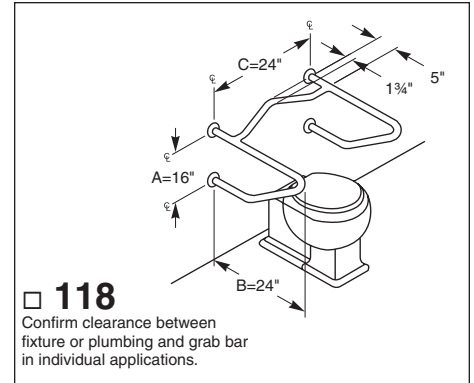
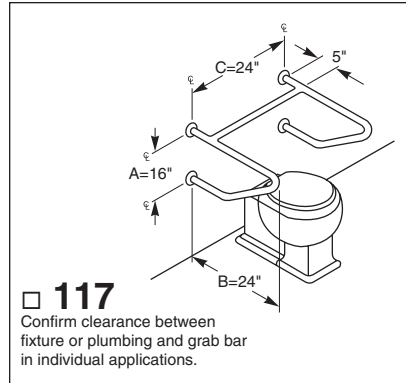
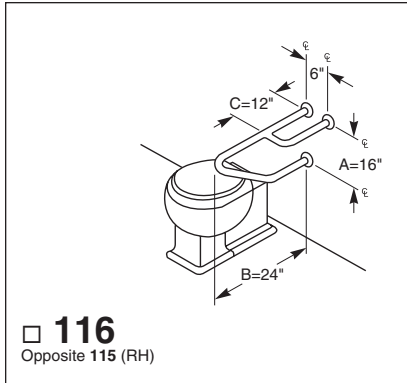
- Consult local and national accessibility codes for proper installation guidelines.
- Conformity and compliance to local and national codes is the responsibility of the installer.

**NOTE:** When Grab Bar dimensions are modified, a support will be added to all sections longer than 54".

**Washroom Accessories  
Document No. 8857**

Distributed by  
**www.Ameraproducts.com**  
Phone: (800) 608-6568  
Fax: (409) 840-5545  
info@ameraproducts.com

### Typical Water Closet Applications:



### ADA Compliant

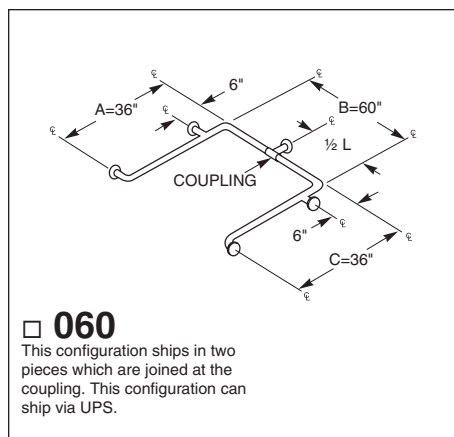
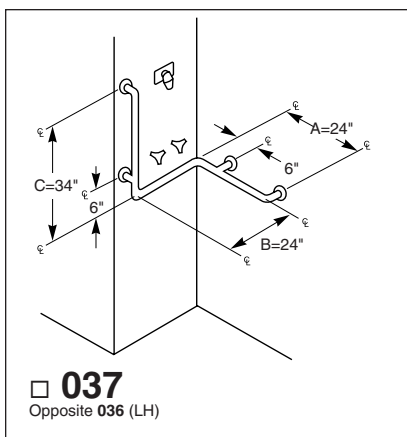
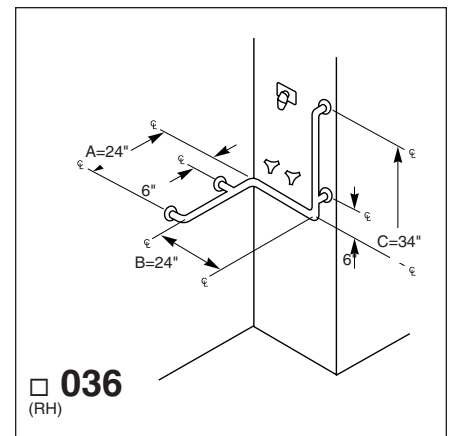
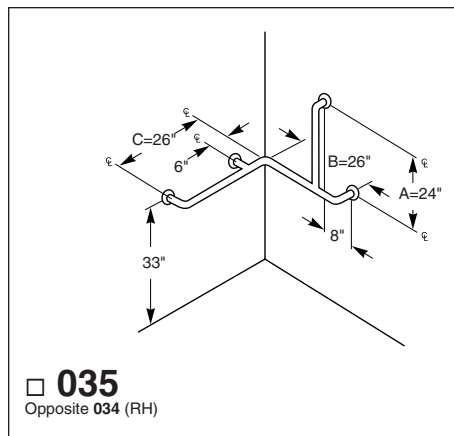
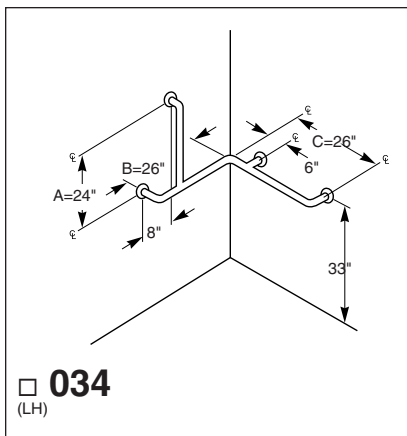
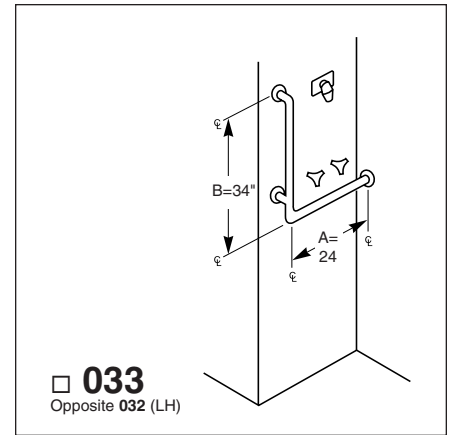
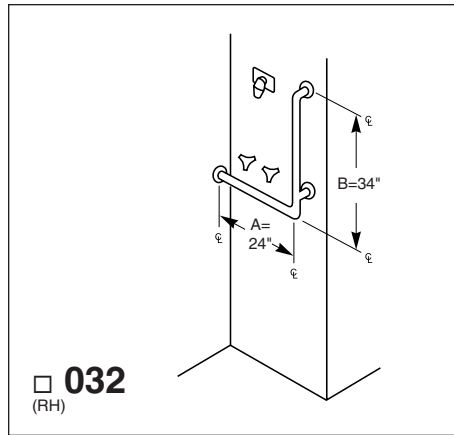
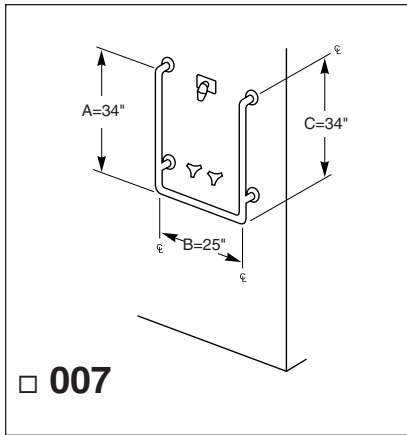
- Consult local and national accessibility codes for proper installation guidelines.
- Conformity and compliance to local and national codes is the responsibility of the installer.

**NOTE:** When Grab Bar dimensions are modified, a support will be added to all sections longer than 54".

Washroom Accessories  
Document No. 8857

Distributed by  
[www.Ameraproducts.com](http://www.Ameraproducts.com)  
Phone: (800) 608-6568  
Fax: (409) 840-5545  
[info@ameraproducts.com](mailto:info@ameraproducts.com)

### Typical Shower Applications:



### ADA Compliant

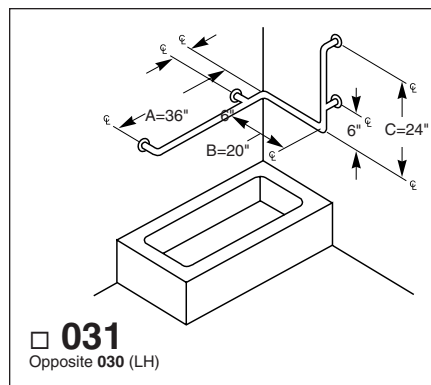
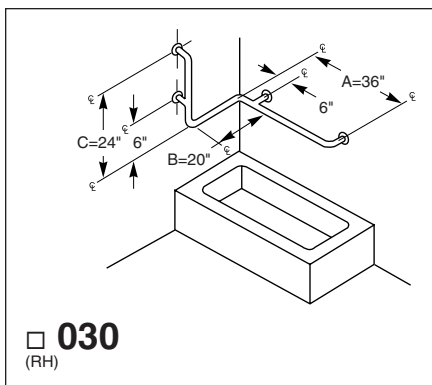
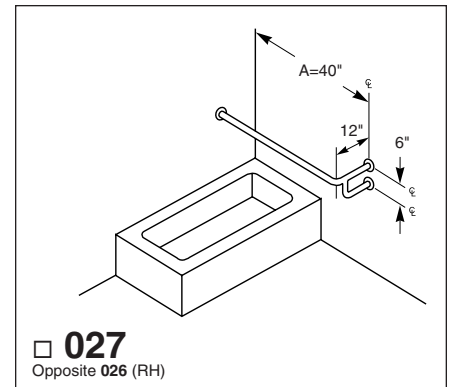
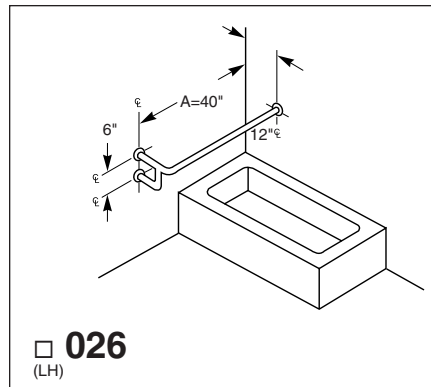
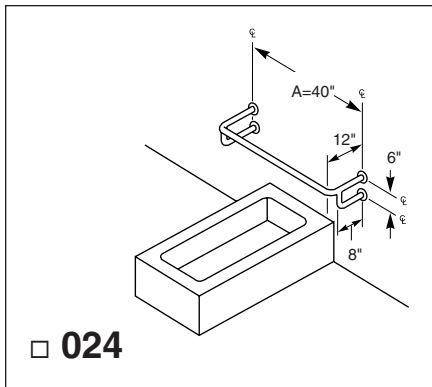
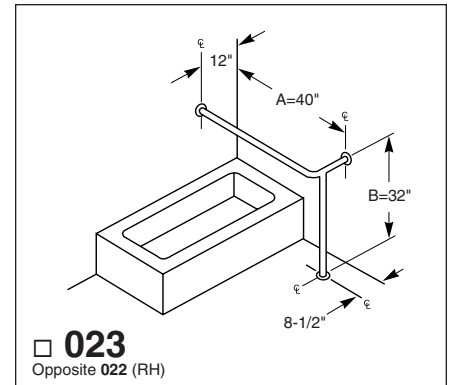
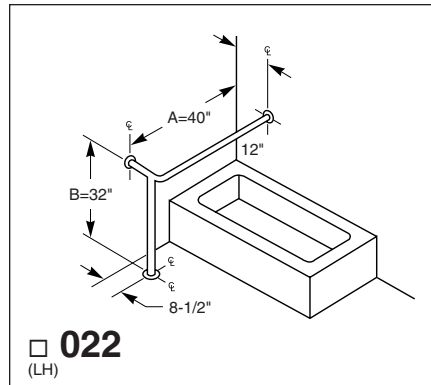
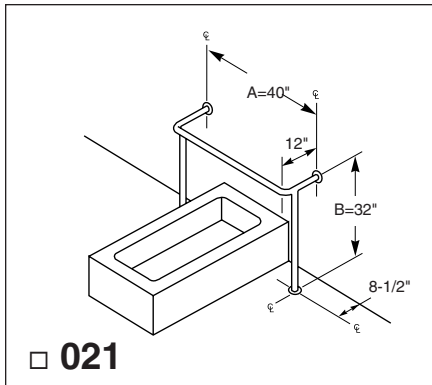
- Consult local and national accessibility codes for proper installation guidelines.
- Conformity and compliance to local and national codes is the responsibility of the installer.

**NOTE:** When Grab Bar dimensions are modified, a support will be added to all sections longer than 54".

**Washroom Accessories  
Document No. 8858**

Distributed by  
[www.Ameraproducts.com](http://www.Ameraproducts.com)  
 Phone: (800) 608-6568  
 Fax: (409) 840-5545  
[info@ameraproducts.com](mailto:info@ameraproducts.com)

### Typical Tub Applications:



### ADA Compliant

- Consult local and national accessibility codes for proper installation guidelines.
- Conformity and compliance to local and national codes is the responsibility of the installer.

**NOTE:** When Grab Bar dimensions are modified, a support will be added to all sections longer than 54".

Washroom Accessories  
Document No. 8859

© 2011 Bradley Corporation

This information is subject to change without notice.

4-27-2011

Distributed by  
[www.Ameraproducts.com](http://www.Ameraproducts.com)  
Phone: (800) 608-6568  
Fax: (409) 840-5545  
[info@ameraproducts.com](mailto:info@ameraproducts.com)