

**Model 4A20 — Recessed for 4" Deep Wall (projects 1<sup>3</sup>/<sub>4</sub>"**

**Model 4A20-11 — Surface-Mounted (projects 5<sup>3</sup>/<sub>4</sub>"**

**Diplomat Series**

### Product Materials

**CABINET** 0.030-inch/22ga.-(0.76 mm) stainless steel with exposed surfaces in architectural satin finish. All welded construction.

**DOOR** 0.036-inch/20ga.-(0.92 mm) stainless steel with with full length piano hinge and tumbler lock keyed like other Bradley units.

**COIN BOX** 0.030-inch/22ga.-(0.76 mm) stainless steel. Secured with tumbler lock keyed differently than door for security. Coin mechanisms are available with free, \$.10, \$.25, \$.50, \$1.00, €.50, or Canadian Loonie denomination.

### Capacity

18 napkins (3" x 4<sup>1</sup>/<sub>4</sub>" x 1" box) and 28 tampons (5<sup>1</sup>/<sub>8</sub>" long x 3/4" diameter tube). Dispenses most popular brands.

### Operation

Insertion of coin permits clockwise rotation of handle to dispense product. Unit will not accept coin when product is empty. Access door allows refilling of product and emptying of coin box.

### Installation

Verify all rough-in dimensions prior to installation.

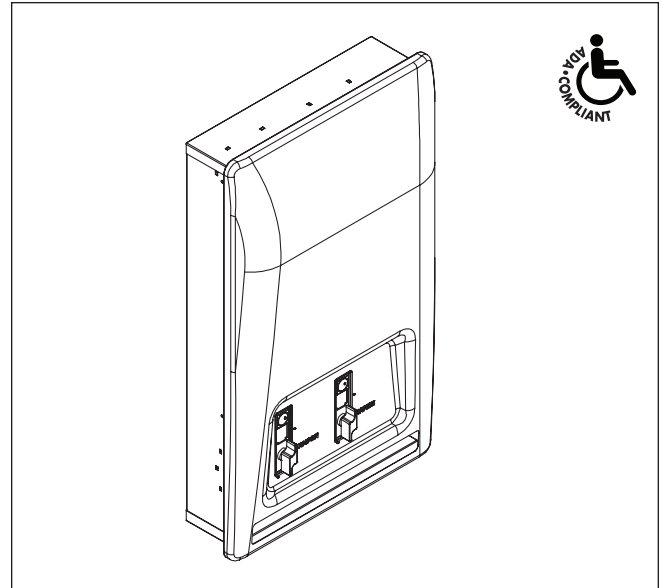
**Recessed Unit:** Requires rough wall opening 16<sup>1</sup>/<sub>8</sub>"W x 27<sup>7</sup>/<sub>8</sub>"H x 4"D. (fully recessed). Insert cabinet into wall opening and secure to framing with mounting screws (not included) at holes provided. Shim at screw points as required.

**Surface Unit:** Secure cabinet to wall with screws (not included) at holes provided.

### Guide Specification

Combination napkin/tampon vendor in [recessed] [surface-mounted] wall cabinet, with hinged door face formed with contemporary contours, radii, and finish matching related accessories in manufacturer's designer series. Vendor capacity 18 napkins and 28 tampons. Operated by rotation of handle (less than 90 deg.) to dispense product, requiring less than 5 lb of force. Equipped with keyed tumbler lock. Universal keying. Formed from stainless steel sheet with satin finish on exposed surfaces, fully welded, with seamless corners and burr-free edges: cabinet, flange, and coin box 0.030-inch / 22-ga. thick; door 0.036-inch / 20-ga. thick. Coin mechanism: [Free] [\$0.25] [\$0.50] [\$1.00] [\$1.00CAN] [0.50 €]. Coin box equipped with separately-keyed lock.

**Overall dimensions: 17"W x 28<sup>1</sup>/<sub>8</sub>"H x 5<sup>3</sup>/<sub>4</sub>"D.**



### Select Model

|                          | Currency | Description     | Suffix |
|--------------------------|----------|-----------------|--------|
| <input type="checkbox"/> | US       | Free            | -40    |
| <input type="checkbox"/> | US       | 10¢             | -42    |
| <input type="checkbox"/> | US       | 25¢             | -45    |
| <input type="checkbox"/> | US       | 50¢             | -43    |
| <input type="checkbox"/> | US       | \$1.00          | -44    |
| <input type="checkbox"/> | Foreign  | Canadian Loonie |        |
| <input type="checkbox"/> | Foreign  | € .50           | -E43   |

**MasterFormat Title:** Commercial Toilet Accessories

**MasterFormat Number:** 10 28 13.13

**OmniClass Title:** Toilet and Bath Specialties

**OmniClass Code:** 23.31.25.00

### ADA Compliant

- Consult local and national accessibility codes for proper installation guidelines.
- Conformity and compliance to local and national codes is the responsibility of the installer.

Washroom Accessories  
Document No. 9409

Page 1 of 2

This information is subject to change without notice.

Always consult local and national codes for proper installation guidelines. Conformity and compliance to local and national codes is the responsibility of the installer.

**Distributed by**

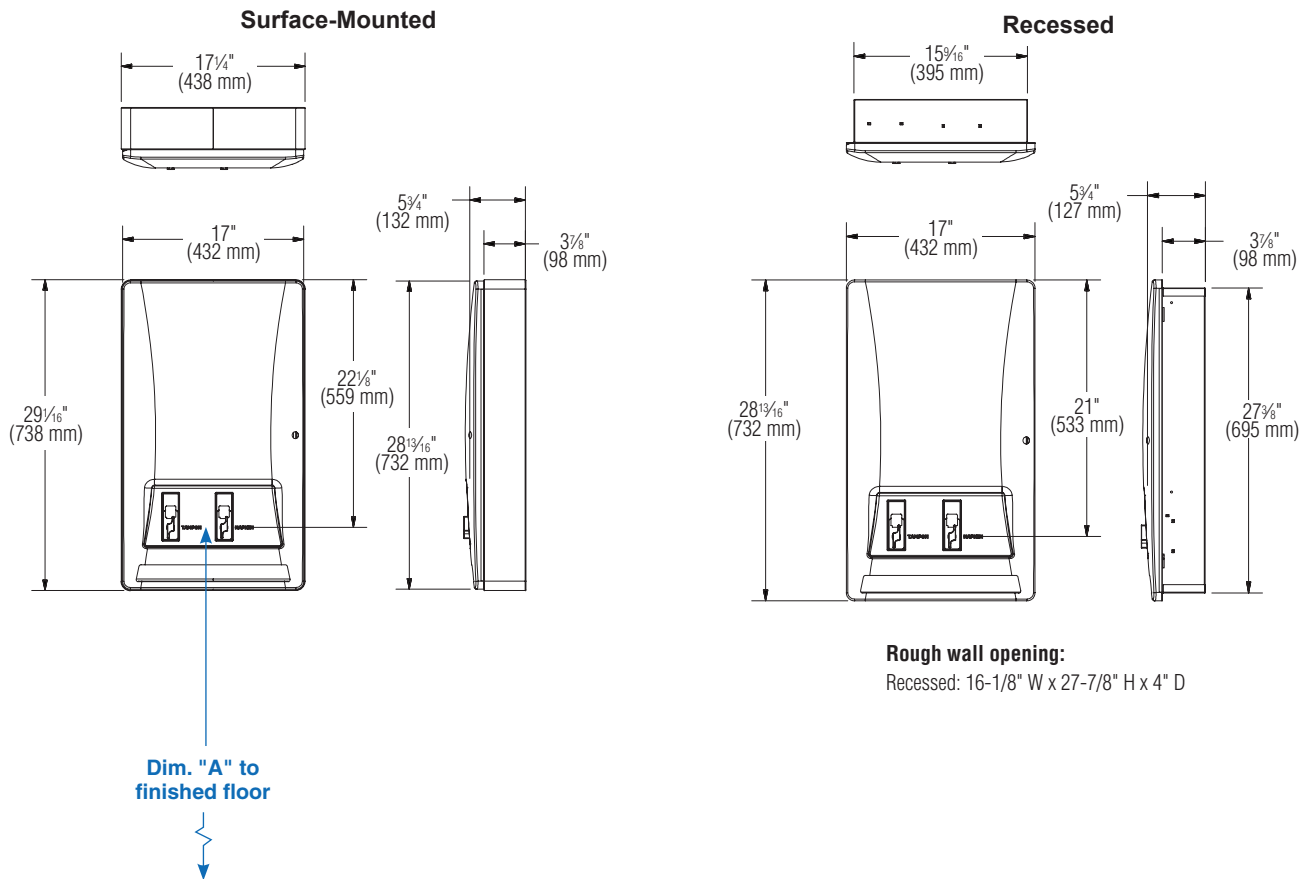
**www.Ameraproducts.com**

**Phone: (800) 608-6568**

**Fax: (409) 840-5545**

**info@ameraproducts.com**

**Dimensions**



| <b>Dim. "A" Key Surface:</b>            | For Dim. "A" | Locate Top of Unit | Locate Bottom of Unit |
|---|--------------|--------------------|-----------------------|
| Top of coin slot area to finished floor | 48" (1219mm) | 68 1/2" (1740mm)   | 40 5/8" (1032mm)      |
|   | 45" (1143mm) | 65 1/2" (1664mm)   | 37 5/8" (956mm)       |
|   | 42" (1067mm) | 62 1/2" (1558mm)   | 34 5/8" (879mm)       |
|   | 40" (1016mm) | 60 1/2" (1537mm)   | 32 5/8" (829mm)       |

**Washroom Accessories**  
Document No. 9409

**Distributed by**  
**www.Ameraproducts.com**  
Phone: (800) 608-6568  
Fax: (409) 840-5545  
info@ameraproducts.com