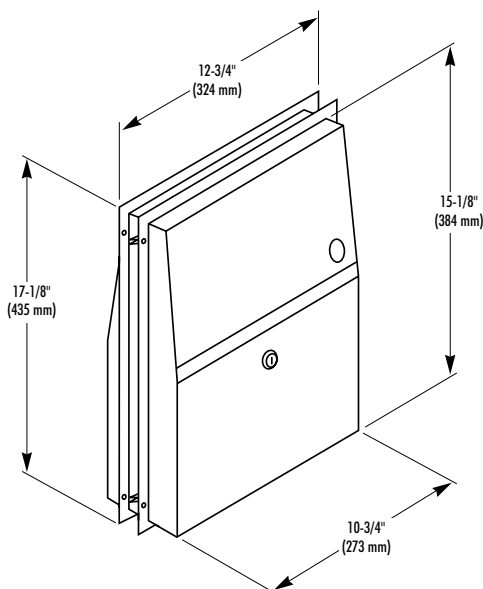


NAPKIN DISPOSAL

- Partition Mounted
- Serves Two Compartments

Bradex™



CONSTRUCTION:

- **FLANGE** fabricated of type 304 (18-8), 22 gauge stainless steel with exposed surfaces in architectural satin finish. One piece seamless construction, 1" wide with 1/4" return.
- **CABINET** fabricated of type 304 (18-8), 22 gauge stainless steel. All welded construction with one flange welded to cabinet.
- **PUSH FLAP DOOR** fabricated of type 304 (18-8), 22 gauge stainless steel with exposed surfaces in architectural satin finish. Heavy duty stainless steel piano hinge. Self-closing flap door.
- **WASTE CONTAINER** fabricated of type 304 (18-8), 22 gauge stainless steel with tumbler locks keyed like other Bradley units.

CAPACITY:

1.5 gal. (.2 cu. ft.)

OPERATION:

Waste container removable from one side with finger grip. Furnished with waxed paper liner. Additional liners available from Bradley.

INSTALLATION:

Requires partition opening 11"W x 15-3/8"H. Top of partition opening 2'-6" above finished floor. Location of hole and dimensions should be noted in partition specifications. Flange adjustable for partitions from 1/2" to 1-1/4" thick. Secure unit to partition with mounting screws (included) at holes provided.

NOTE: If used with an odd number of toilet compartments, use one Bradley Model 4722-15 napkin disposal on side wall of end compartment.

GUIDE SPECIFICATION:

Partition mounted dual napkin disposal shall serve two toilet compartments and be fabricated of type 304 (18-8), 22 gauge stainless steel with exposed surfaces in satin finish and burr-free beveled edges. Two self-closing push flap doors. Stainless steel receptacle with tumbler locks, removable from one side only.

Overall dimensions: 12-3/4"W x 17-1/8"H x 4"D.

Partition Mounted Dual Napkin Disposal shall be Bradley Model 4721-15.

Orders composed of products indicated as **Bradex™** will be available to ship in one week after receipt of order at the factory. There is no pricing penalty for this service from Bradley.

Bradley

P.O. Box 309, Menomonee Falls, WI 53052-0309

Document No. 8385