

- Model 510 — Chrome-Plated Brass
- Model 5102 — Heavy Gauge Stainless Steel, Bright Finish
- Model 5104 — Heavy Gauge Stainless Steel, Satin Finish

- Recessed
- Non-Controlled Delivery
- Single Roll

Product Materials

HOUSING: see check boxes and model descriptions above.

BRACKETS: see check boxes and model descriptions above.

SPINDLE: chrome-plated plastic.

Capacity

One standard core toilet tissue roll through 5" in diameter.

Operation

Concealed spring permits spindle to telescope for servicing. Spindle turns freely for non-controlled delivery.

Installation

Verify all rough-in dimensions prior to installation. Requires rough wall opening per chart on right column. Secure to framing with mounting screws (included) at holes provided.

Optional Features

Feature	Suffix
<input type="checkbox"/> Anti-theft spindle (available on Model 5102 only)	-52
<input type="checkbox"/> Back clamp for gypsum wallboard mounting	-55

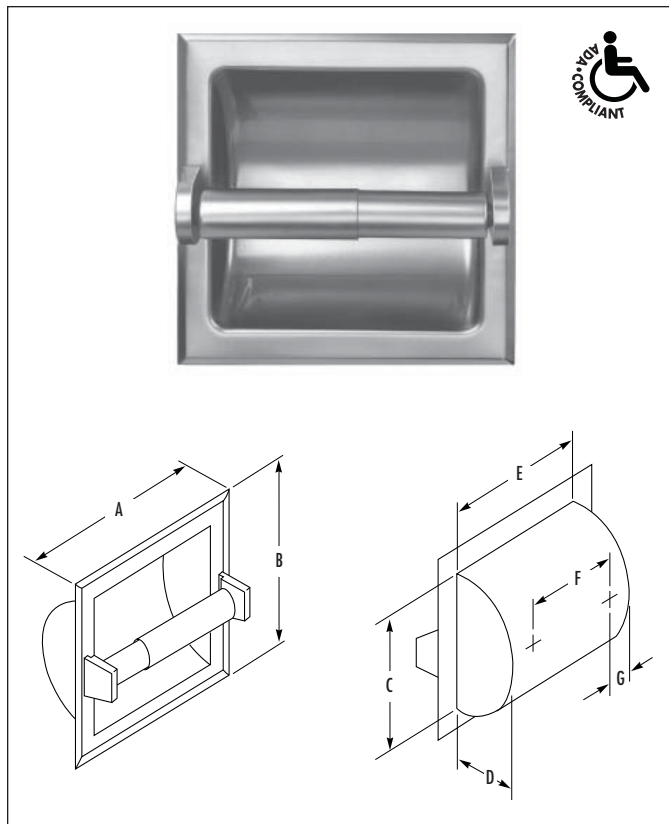
Guide Specification

Model 510: Recessed single roll tissue dispenser shall be chrome-plated brass with projecting brackets of chrome-plated die cast zinc alloy and hold one standard core toilet tissue roll.

Model 5102: Recessed single roll tissue dispenser shall be heavy gauge stainless steel with a bright finish. Projecting brackets shall be heavy gauge stainless steel and hold one standard core toilet tissue roll.

Model 5104: Recessed single roll tissue dispenser shall be heavy gauge stainless steel with a satin finish. Projecting brackets shall be heavy gauge stainless steel and hold one standard core toilet tissue roll.

Overall dimensions: 7½"W x 2¾"H x 3¾"D.



Model No.	Rough-In Dimensions		Unit Dimensions - inches (mm)						
	HEIGHT	WIDTH	A	B	C	D	E	F	G
510	5¼"	5¼"	6⅞" (157)	6⅞" (157)	5" (127)	1¾" (44)	5" (127)	2⅞" (73)	1" (25)
5102	5¼"	5¼"	6⅞" (162)	6⅞" (162)	5" (127)	2" (51)	5" (127)	3¾" (95)	⅝" (16)
5104	5¼"	5¼"	6⅞" (162)	6⅞" (162)	5" (127)	2" (51)	5" (127)	3¾" (95)	⅝" (16)

ADA Compliant

- Consult local and national accessibility codes for proper installation guidelines.
- Conformity and compliance to local and national codes is the responsibility of the installer.

Washroom Accessories
Document No. 8465

Distributed by
www.Ameraproducts.com
 Phone: (800) 608-6568
 Fax: (409) 840-5545
 info@ameraproducts.com