



ASI GLASS MARKER BOARDS:

ASI Floating performing glass marker boards, with a standard configuration that appears to “hover” off and float within the framing system a unique aesthetic appearance.

Glass:

ASI Glass Boards are produced from low iron 6mm (1/4”) tempered glass which is ultra-clear and provides a higher degree of transparency compared to standard clear glass. This high clarity glass is achieved by removing most of the iron oxide content used in the production of the glass. This low level of iron removes the greenish-blueish tint that can be seen especially on larger and longer sizes of glass.

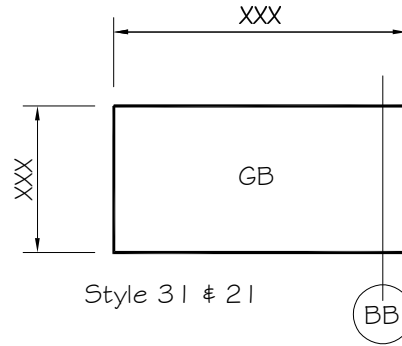
Benefits of Our Glass:

- Writing materials produce true colors
- Cleans easily with no harsh chemicals required
- No ghosting or staining
- Standard is back painted white with polished painted edges to match and square corners
- Rounded corners and beveled edges are available for an upcharge
- We can do custom back paint to match any product code of Sherwin Williams, Benjamin Moore or RAL

Product installation and options:

- Equipped with z-clip mounting hardware as standard, installation is incredibly straight forward.
- Available with a magnetic backing option to keep track of markers and optional accessories.
- Any size up to 60”x142”
- Custom size and shapes available on request

SECTIONS:
GLASS BOARDS



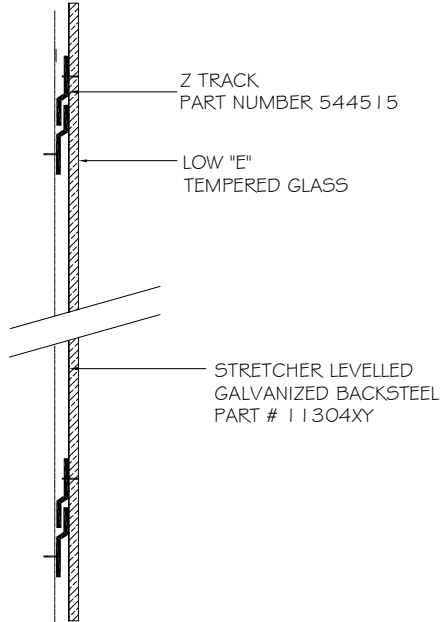
Style 31 & 21

Z TRACK BRACKET MOUNTING

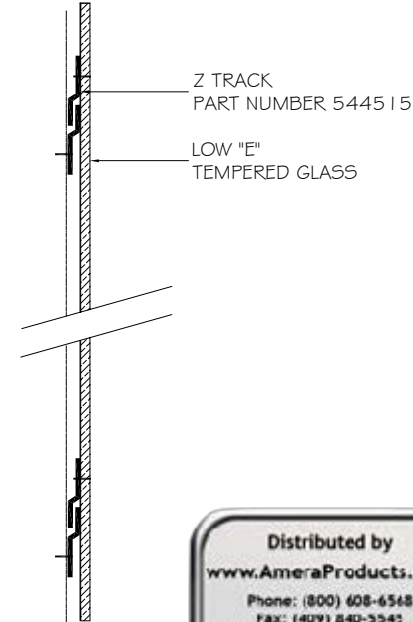
NOTE:
INSURE ALL MOUNTING HARDWARE IS SECURED TO SUITABLE BACKING ALLOW 5 LBS PER SQUARE FOOT MINIMUM.

ELEVATIONS:
GLASS BOARDS

STYLE 31
MAGNETIC



STYLE 21
NON-MAGNETIC



DESCRIPTION:
9800 SERIES
GLASS MARKER BOARDS
Z TRACK BRACKET MOUNTING

PRODUCT CODE:

98	08	XX	YXX	XXX
SERIES	PRODUCT	STYLE	SIZE	COLOR

SIZE CODE:

- 203 - 2'(H)x3'(W)
- 304 - 3'(H)x4'(W)
- 404 - 4'(H)x4'(W)
- 406 - 4'(H)x6'(W)
- 408 - 4'(H)x8'(W)
- 410 - 4'(H)x10'(W)
- 504 - 5'(H)x4'(W)
- 506 - 5'(H)x6'(W)
- 508 - 5'(H)x8'(W)
- 510 - 5'(H)x10'(W)

COLOR CODE:

STANDARD BACKPAINTED WHITE
- 99 - UPGRADED COLOURS

STYLE:

- 31 MAGNETIC SQUARE
- 21 NON-MAGNETIC SQUARE



2210 Dunwin Drive
Mississauga, Ontario L5L 1C7

PROJECT NAME & LOCATION:

GLASS BOARDS FLOATING I

CONTRACTOR:

F:\ACADR\14\FILENAME

GLASS BOARDS FLOATING I

DRAWN BY:	DATE:	PAGE NO.
J. UGARTE	13 NOVEMBER 2019	1 OF 1