



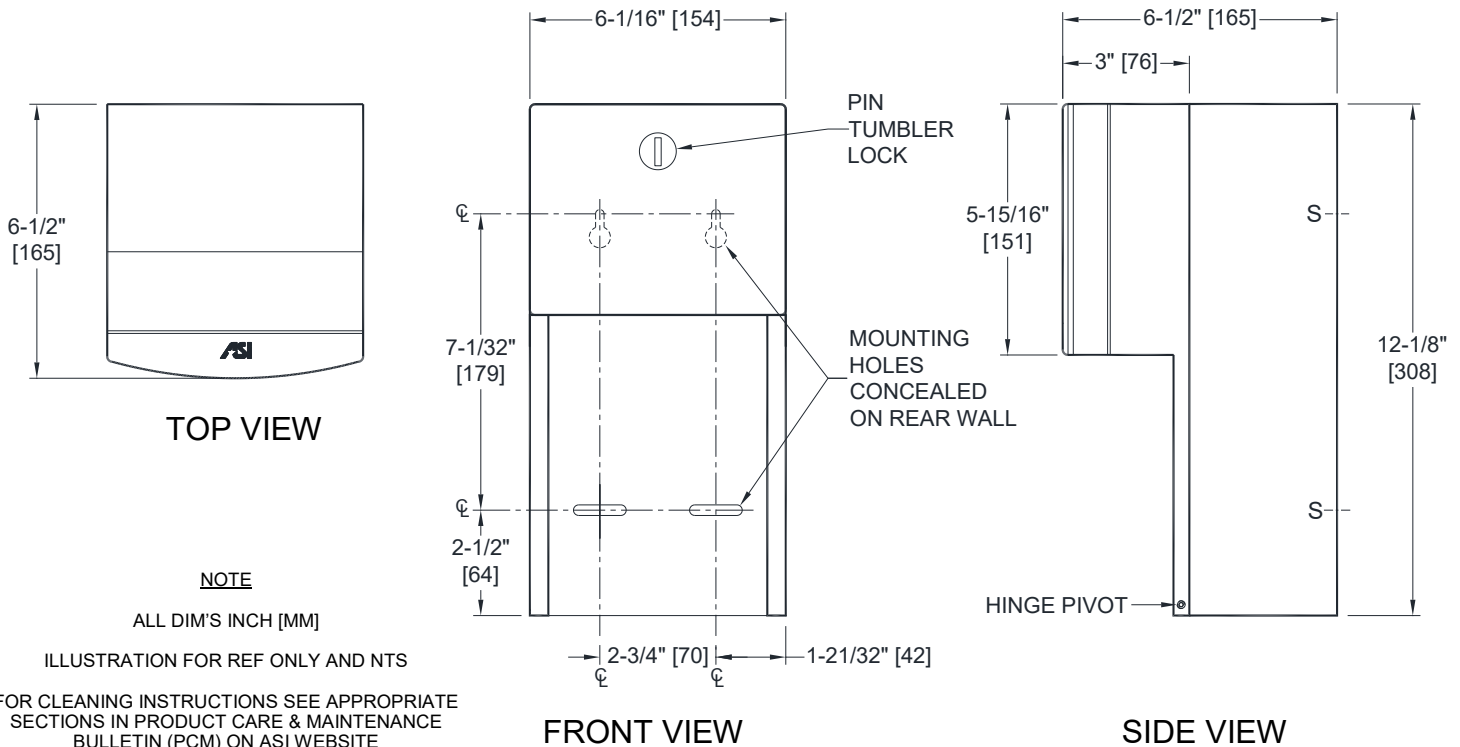
Distributed by  
www.Ameraproducts.com  
Phone: (800) 608-6568  
Fax: (409) 840-5545  
info@ameraproducts.com

MODEL №: 20030

ISSUED: 08-09

REVISED: 18 JUL 2019

## ROVAL™ SURFACE MOUNTED TWIN HIDE-A-ROLL TOILET PAPER DISPENSER



### SPECIFICATION

Roval™ Collection Surface Mounted Twin Hide-A-Roll Toilet Paper Dispenser shall hold and dispense two (2) standard or two (2) 5-1/4" Dia [Ø133] 1800 sheet tissue rolls and shall have dispensing mechanism guide tracks of 20 gage [1,1] type 304 stainless steel alloy 18-8. Cabinet full door shall be drawn seamless and shall have bowed front face and gently radiused edges to provide added strength and complimentary appearance for modern washroom aesthetics. Cabinet body, door and doorframe shall be 22 gage [0,8] 304 stainless steel. All exposed surfaces shall be satin finish and be protected during shipment with PVC film easily removable after installation. Internal mechanism levers shall be molded high-impact resistant plastic for smooth operation. Structural assembly of body and door components shall be of welded construction. Door hinges shall be heavy-duty stainless steel 3/16" Dia [Ø4,8] rivets. Door shall be held closed with a recessed tumbler lock keyed alike to other ASI washroom equipment. Cabinet shall include two (2) theft and vandal resistant rollers (p/n R-004) that are molded high-impact resistant plastic with integral plated steel endpins.

**Roval™ Collection Surface Mounted Twin Hide-a-Roll Toilet Paper Dispenser shall be model № 20030 of American Specialties, Inc. 441 Saw Mill River Road Yonkers, New York 10701-4913**

### INSTALLATION

Surface mount unit on wall or partition using four (4) 1/4" x 1" [M6 x 25] Philips pan-head self-threading screws (provided by others) through slots on rear wall into suitable wall preparation (by others). Top two (2) mounting holes through back are keyhole slots for ease in hanging unit on pre-installed screws. Bottom two (2) mounting holes are horizontal slots for ease of adjustment. For compliance with 2010 ADA Accessibility Standards and 2015 ABA Standards install unit so that center line of dispenser is 7" [178] min to 9" [229] max in front of the toilet and axis of bottom roll is 15" [381] min to 48" [1219] max AFF (Above Finished Floor).

### OPERATION

Reloading instructions are printed on graphic label inside door. Bottom roll is depleted prior to top roll automatically dropping into lower position for use. Empty rollers cannot be removed without key unlocking door.