



AMERICAN SPECIALTIES, INC.

441 Saw Mill River Road, Yonkers, NY 10701

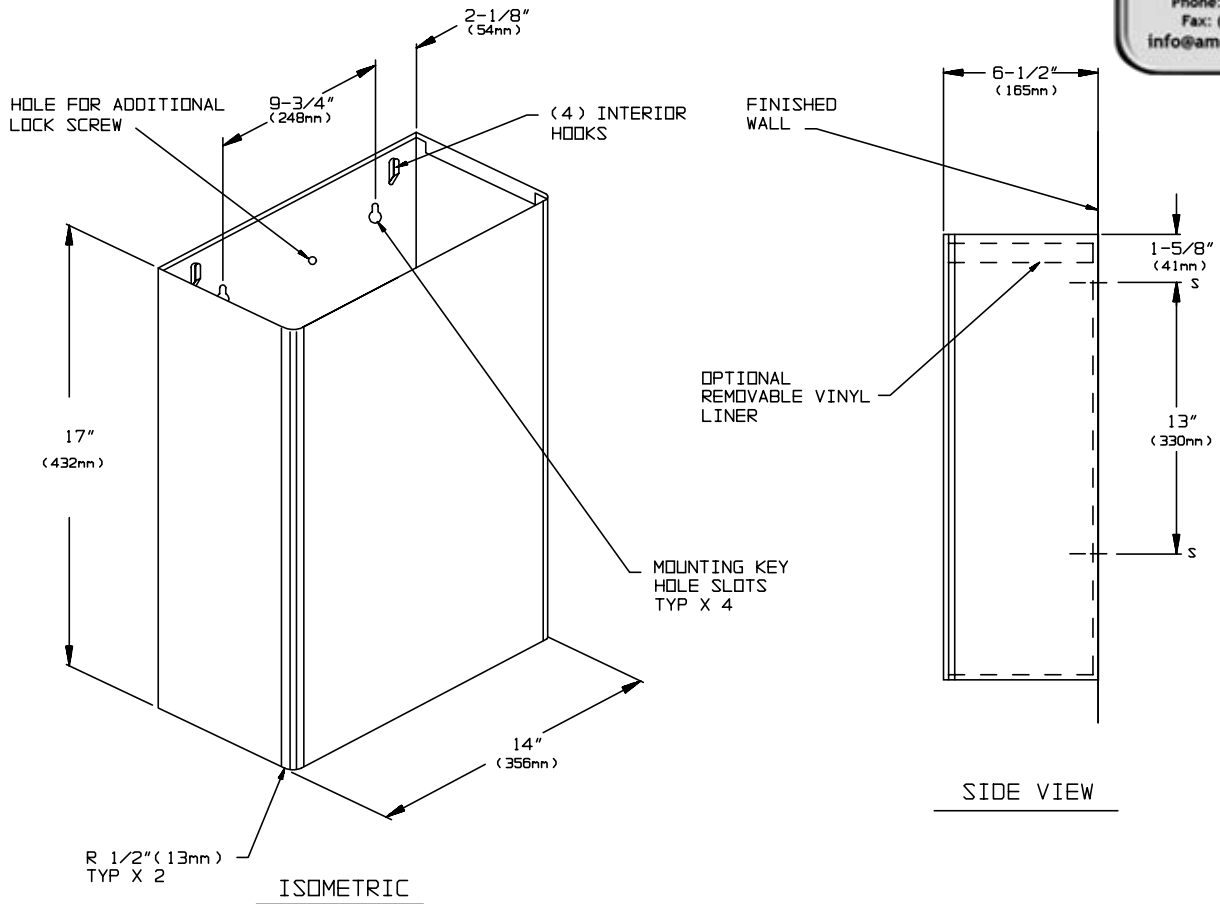
MODEL No: 0828

ISSUED: 1-87

REVISED: 7-05

SURFACE MOUNTED MEDIUM CAPACITY WASTE RECEPTACLE

Distributed by
www.Ameraproducts.com
Phone: (800) 608-6568
Fax: (409) 840-5545
info@ameraproducts.com



SPECIFICATION

Surface Mounted Medium Capacity Waste Receptacle shall hold 7 gal. (26 liters) of dry solid waste and shall be fabricated of alloy 18-8 stainless steel, type 304, 22 gauge. All exposed surfaces shall have a N° 4 satin finish and be protected during shipment by a PVC film easily removable after installation. Vertical front edges shall be rounded to 1/2" (13mm) radius for passer-by safety. Unit shall have no exposed fastening devices or spot welded seams and shall have hemmed top lip for user safety. Receptacle shall have four (4) interior hooks for hanging a reusable heavy gauge vinyl liner bag with grommets (supplied with unit; to order replacements specify model 28-PY). Receptacle shall be screw mounted to wall through keyhole slots on back of unit and shall be theft resistant after installation of concealed locking screw.

Surface Mounted Medium Capacity Waste Receptacle shall be Model N° 0828 as manufactured by American Specialties, Inc., 441 Saw Mill River Road, Yonkers, New York 10701-4913.

INSTALLATION

For general utility, mount the receptacle 22" (559mm) above finished floor (AFF) from bottom of unit. Hang unit on pre-installed four (4) screws (by others) on wall through the mounting keyhole slots. Install and fasten theft-resistant screw (by others) to wall through top middle hole of receptacle. For compliance with ADA Accessibility Guidelines, unit should be installed so that top edge is 40" (1016mm) maximum above finished floor (AFF).

OPERATION

User deposits waste material. Maintenance schedule determines trash removal cycle. Unit is emptied by removing either disposable bag (supplied by others) or reusable liner bag (one supplied) to empty into appropriate bulk collection container. Liner bag is washable and reusable and replacements are available should they be required (specify 28-PY).

Accessory Specialties

AMERICAN DISPENSER

Desert Ray Products

WATROUS INC.