

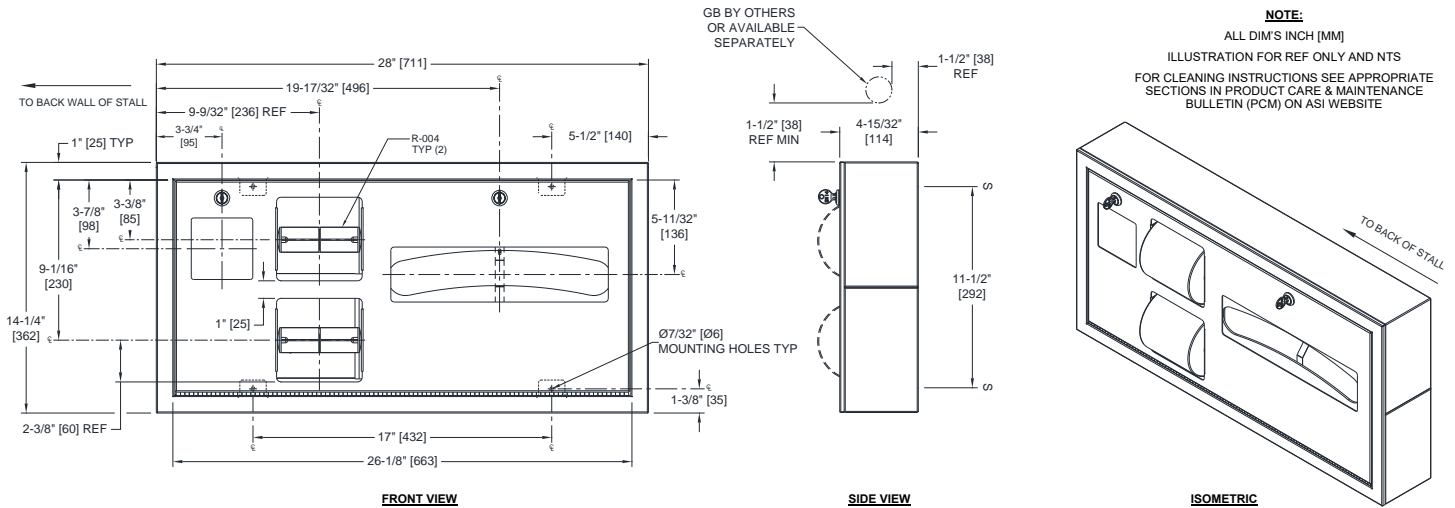


MODEL №: 0487-L-9

ISSUED: 16 JUL 2020

REVISED:

SURFACE MOUNTED SEAT COVER AND TOILET PAPER DISPENSER WITH SANITARY DISPOSAL



SPECIFICATION

Surface Mounted Cover and Toilet Paper Dispenser with Sanitary Napkin Disposal shall hold and dispense 500 paper seat covers and two standard toilet paper rolls. Removable waste container shall have a capacity of 0.45 Gal. (1.7 L). Seat cover dispenser panel and toilet paper dispenser door shall be 18 gage type 304 stainless steel alloy 18-8. Face frame and cabinet shall be 22 gage. All exposed surfaces shall have satin finish and be protected by PVC film easily removed after installation. Seat cover cutout shall have a fully deburred edge for snag-free dispensing and user safety. Disposal door shall be hung on spring-tensioned hinges and shall have international graphic waste disposal symbol. Service door shall be attached to cabinet at bottom with a full-length 3/16" DIA [Ø5] stainless steel multi-staked piano hinge and shall be held closed with a tumbler lock keyed alike to other ASI washroom equipment. Face trim shall be 1" [25] wide formed from one piece with no mitres, welding or open seams. Structural assembly of all components shall be of welded construction. Cabinet shall include theft and vandal resistant rollers that shall be of molded high-impact resistant plastic with integral molded-in stainless steel endpins and two (2) rollers [p/n R-004] shall be supplied. SM-Collar is provided.

Surface Mounted Cover and Toilet Paper Dispenser with Sanitary Napkin Disposal shall be Model № 0487-L-9 as manufactured by American Specialties, Inc., 441 Saw Mill River Road, Yonkers, New York 10701-4913

INSTALLATION

Surface mount unit on wall using four (4) № 10 self-threading screws (by others) through rear mounting holes provided. Slide cabinet into Collar and mount unit using four (4) 10-32 x 1/4" [6] Phillips pan-head screws (by others) through concealed side mounting holes provided via access inside SCD and SND compartments. For compliance with ANSI A-117.1, 2010 ADA Accessibility Standards and 2015 ABA Standards the centerline (CL) of the TP Dispenser should be located within 7" [178] to 9" [229] of the front of the toilet and the TP Dispenser opening bottom should be 15" [381] Min Above Finished Floor (AFF) while the Seat Cover Dispenser opening CL should be no higher than 48" [1219] Max AFF. Note MIN required clearance diagrammed below installed GB and that for some toilet plan sizes the CL of the TP dispenser should be 8-1/2" [216] to 8-3/4" [222] in front of the toilet to provide adequate door opening clearance.

OPERATION

Push self-closing disposal door to deposit waste material. Seat covers are self-feeding until supply is depleted. Toilet paper rolls feed freely until depleted and level of supply is constantly visible for low-level warning. Waste receptacle is emptied and seat covers in box and toilet paper rolls are replenished manually on cycle determined by maintenance needs. Toilet paper rolls, paper seat covers and waste receptacle are serviced by unlocking and opening door. Locked door prevents inadvertent dumping and unauthorized removal. Waste container safety-edged finger hole provides convenient grip for service. Toilet paper spindles are carried in vandal resistant sub-frame accessible when door is opened.