



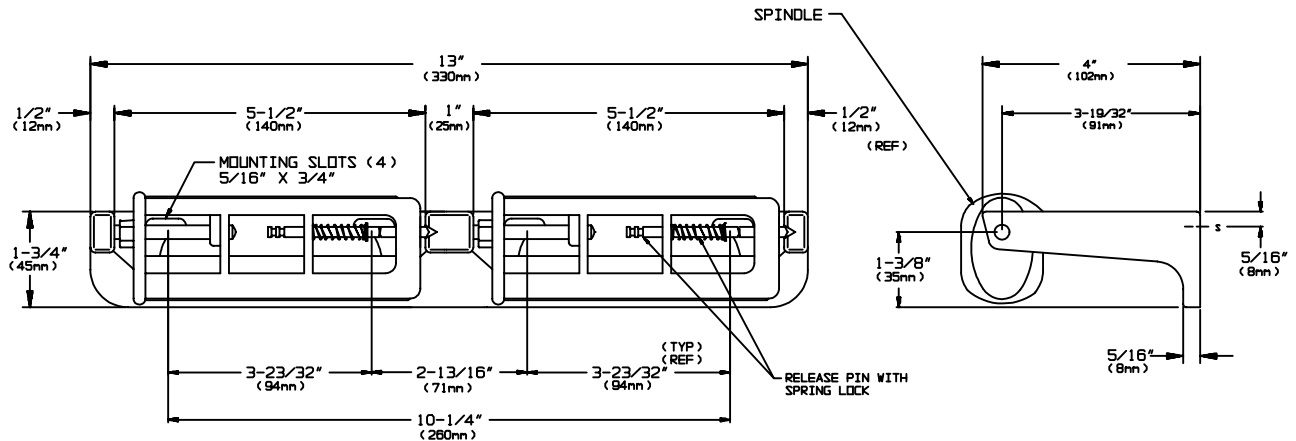
Distributed by
 www.Ameraproducts.com
 Phone: (800) 608-6568
 Fax: (409) 840-5545
 info@ameraproducts.com

MODEL No: 0264-1A

ISSUED: 1-87

REVISED: 8-04

SURFACE MOUNTED DOUBLE ROLL TOILET TISSUE HOLDER



SPECIFICATION

Surface Mounted Double Roll Toilet Tissue Holder with theft resistant free-delivery spindle shall hold and dispense all standard core roll tissue, up to 6" (152 mm) in diameter and be fabricated of Cast Aluminum with a satin matte silver-gray finish. The spindle shall be fabricated of impact resistant, ABS thermoplastic and be tamper resistant with a concealed release mechanism. Spindle shall rotate freely and have no limit stop. Roll core shall not be removable until tissue is exhausted.

Surface Mounted Double Roll Toilet Tissue Holder (free-delivery) shall be Model N° 0264-1A of American Specialties, Inc. 441 Saw Mill River Road Yonkers, New York 10701-4913

INSTALLATION

Unit is surface mounted on wall or partition using N° 10 self tapping screws (by others). For compliance with ADA Accessibility Guidelines, unit should be installed so that tissue roll centerline is between 44" (1118mm) maximum above finished floor (AFF) and 19" (483mm) minimum AFF.

OPERATION

Spindles revolve freely. Roll core prevents access to release pin and cannot be removed from spindle until exhausted. Unit is replenished by releasing a concealed pin which in turn releases a spring lock mechanism on spindle.

Accessory Specialties

AMERICAN DISPENSER

Desert Ray Products

WATROUS .INC.