



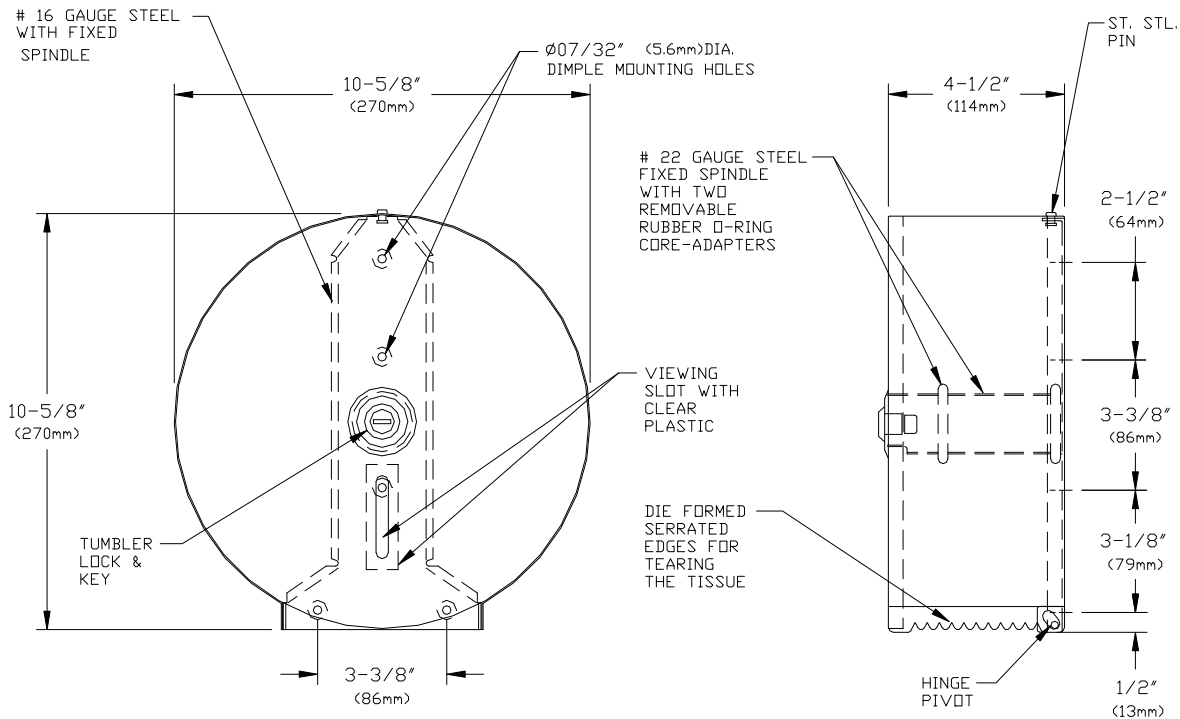
Distributed by
www.Ameraproducts.com
Phone: (800) 608-6568
Fax: (409) 840-5545
info@ameraproducts.com

MODEL №: 0042

ISSUED: 1-87

REVISED: 6 Sept 2013

SURFACE MOUNTED JUMBO-ROLL TOILET PAPER DISPENSER



SPECIFICATION

Surface Mounted Jumbo-Roll Toilet Paper Dispenser shall hold one (1) roll up to 10" (254) dia with 1-5/8" (41.3) dia. core or 2-1/4" (57) dia. core. Cover shall be fabricated of type 304 stainless steel alloy 18-8, 22 gauge with a № 4 satin finish. Rear of cabinet shall have five (5) mounting holes to suit #8 or #10 flat head screws. Cover shall be of one piece construction hung on stainless steel pin hinges and shall be held closed by a tumbler lock keyed to other ASI washroom equipment with key provided. A viewing slot with clear plastic window shall be provided. Unit shall accommodate smaller core size roll by removing the rubber core adapter "O" rings. Opening on bottom of cabinet shall have stainless steel teeth for toilet tissue tearing on both sides. Cover at top shall have shoulder pin to interlock back plate when closed.

Surface Mounted Jumbo-Roll Toilet Paper Dispenser shall be Model № 0042 as manufactured by American Specialties, Inc., 441 Saw Mill River Road, Yonkers, NY 10701-4913

INSTALLATION

For general utility surface mount unit within 12" (305) of front of toilet from center line and 31" (787) above finished floor (AFF) from bottom of unit with five (5) screws (by others) through mounting holes provided. For compliance with 2010 ADA Accessibility Standards install unit so that leading edge of roll is no farther than 36" (914) from back wall behind commode and centerline of roll is 19" (483) minimum above finished floor (AFF) to 44" (1118) max. AFF.

OPERATION

One (1) 10" (254) OD jumbo roll of toilet paper is mounted over 2-1/4" (57) ID core adapter. One (1) 1-5/8" (41.3) ID core roll may be used by removing the rubber core adapter rings. Viewing slot continuously reveals tissue level. Key locked cover prevents unauthorized access or removal. Roll is replaced on a cycle determined by maintenance needs.