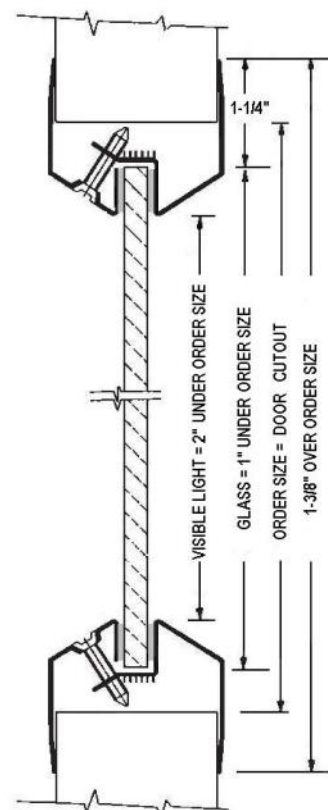
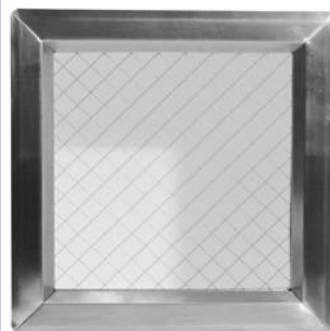


# STAINLESS SLIMLINE VISION KITS FOR 3/16-1/4" GLASS: VSLs

## Low Profile Beveled Vision Lite For Fire Rated Doors. Self-Attaching Frame Has Single-side fasteners for Glass 3/16" to 1/4"

### SPECIFICATIONS:

<b>Material:</b>	20 Gauge Stainless Steel #4 Finish. frame. Min Size 3" x 3", Max 60" x 104". See Fire Rating Below.
<b>Construction:</b>	1-1/4" trim with radius corners, mitered and welded. Continuous glass retainer, countersunk mounting holes in the bevel on non-corridor side.
<b>Door:</b>	For 1-3/4" door. For other sizes, see models VLFIG and VLFEZIG. Door cutout = order size.
<b>Fasteners:</b>	#8 x 1" flathead phillips stainless SMS.
<b>Glass:</b>	3/16"- 1/4" glazing to be ordered separately from <b>Glazing Section</b> of catalog. Use fire rated glazing with Warnock Hersey (WHI) or UL classification markings for fire rated applications. Visible light is 2" under rough opening size. <u>Glass size is 1" under order size.</u> <b><i>Fire-Rated Air Louvers Glazing to fit this Product: WS, KFRF, PPF and PYRO.</i></b>
<b>Fire-Rating, Testing &amp; Listings:</b>	When installed in properly rated and approved door, ratings up to 3 hours can be achieved, <b>depending on the glazing used.</b> See glazing ratings for max exposed area. Tested and Listed for UL 10C and Criteria of UBC 7-2 Positive Pressure. See detailed installation instructions.



### OPTIONS AT ADDITIONAL COST:



<b>PAK:</b>	Includes Vision Lite, Glass Sized to Fit, Applied Glazing tape for UL10B Installations, Securely Packaged Individually. <b>See First Page in Vision Lite Catalog to order.</b>
<b>UBC 7-2 Installation:</b>	_____ Additional intumescent tape for Positive Pressure UL10C 20 minute combustible core wood doors installation. See detailed installation instructions.
<b>Fasteners:</b>	_____ Torx _____ Other: _____
<b>Mullions:</b>	Factory welded to vision lite & painted. See Mullions Page in this section to order.
<b>Privacy Screen:</b>	Add the New Privacy Screen to This Vision Lite— <a href="#">See Web Page for Details</a>
<b>Custom:</b>	Smaller or larger size or other options; Contact Customer Service for special orders.

Order Format: <b>VSLs</b>	<u>  </u>	<u>  </u>	Example: <b>VSLs 1212</b>
	<b>W</b>	<b>H</b>	

Interpretation of Fire and Building Codes May Vary. Consult with the Local Authority Having Jurisdiction (AHJ) to determine appropriate standards.

	<b>Distributor:</b>	<b>Width: _____ x Height: _____</b>
	<b>Architect:</b>	<b>Quantity:</b>
	<b>Contractor:</b>	<b>Model:</b>
	<b>Project:</b>	<b>Date: 10/25/2017</b>

