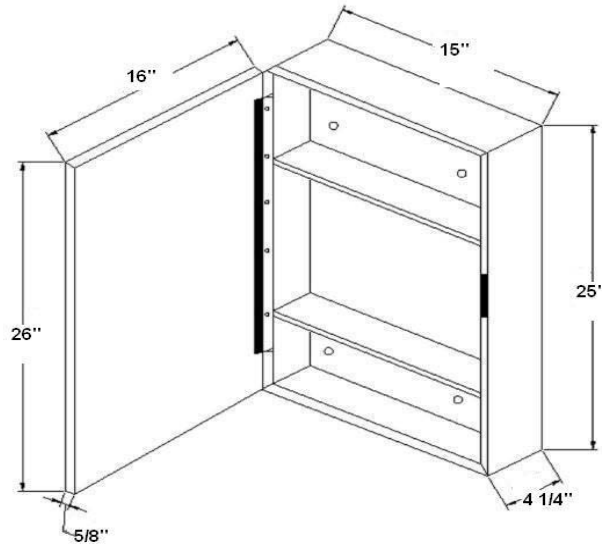


BUILDERS GRADE SERIES SURFACE MOUNTED



1626-SM Shown



Surface Mounted

Model Number	Overall Size wx h	Wall Opening	Glass Shelves
1622-SM	16x22	not applicable	2
1626-SM	16x26	not applicable	3

Builders Grade Series

Features stainless steel framed mirrored doors, adjustable glass shelves, baked enamel steel body.

Cabinets can be inverted for right or left swing installation.

Specifications: Builders Grade Cabinets are fabricated with 26 gauge white baked enamel steel bodies and doors.

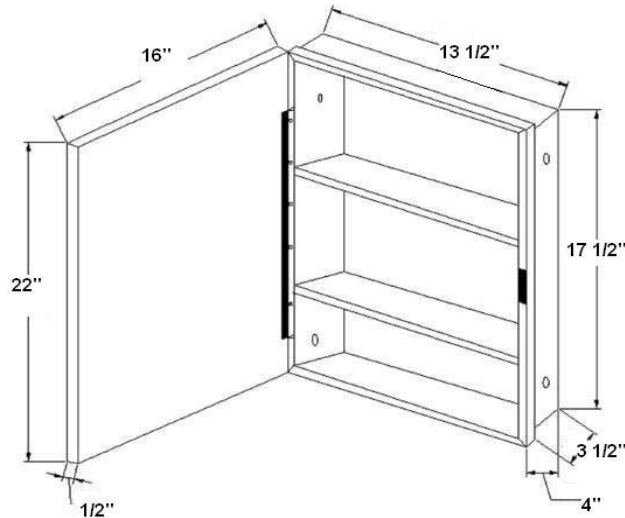
Mirrors/Doors: 1/8" first quality plate glass. Doors are mounted on a full length piano hinge equipped with a magnetic door catch.

Shelves: 1/4" adjustable glass shelves mounting on locking adjustable aluminum shelf clips.



Distributed by
www.Ameraproducts.com
 Phone: (800) 608-6568
 Fax: (409) 840-5545
info@ameraproducts.com

BUILDERS GRADE SERIES RECESSED MOUNTED



Recessed Mounted

Model Number	Overall Size wx h	Wall Opening	Glass Shelves
1622	16x22	14" x 18" x 3 1/2"	2
1626	16x26	14" x 24" x 3 1/2"	3

Builders Grade Series

Features stainless steel framed mirrored doors, adjustable glass shelves, baked enamel steel body.

Cabinets can be inverted for right or left swing installation.

Specifications: Builders Grade Cabinets are fabricated with 26 gauge white baked enamel steel bodies and doors.

Mirrors/Doors: 1/8" first quality plate glass. Doors are mounted on a full length piano hinge equipped with a magnetic door catch.

Shelves: 1/4" adjustable glass shelves mounting on locking adjustable aluminum shelf clips.



Distributed by
www.Ameraproducts.com
 Phone: (800) 608-6568
 Fax: (409) 840-5545
info@ameraproducts.com
